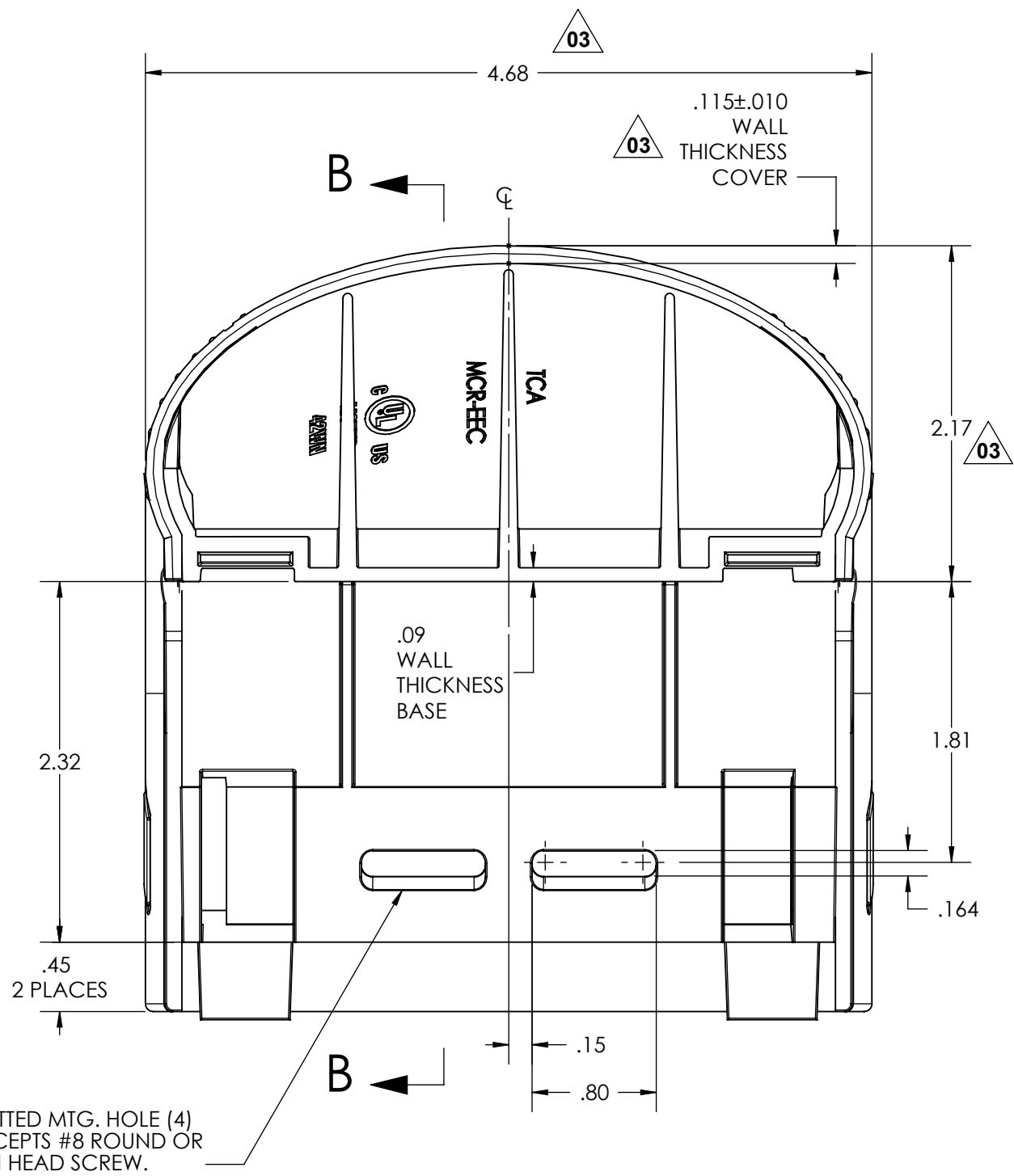
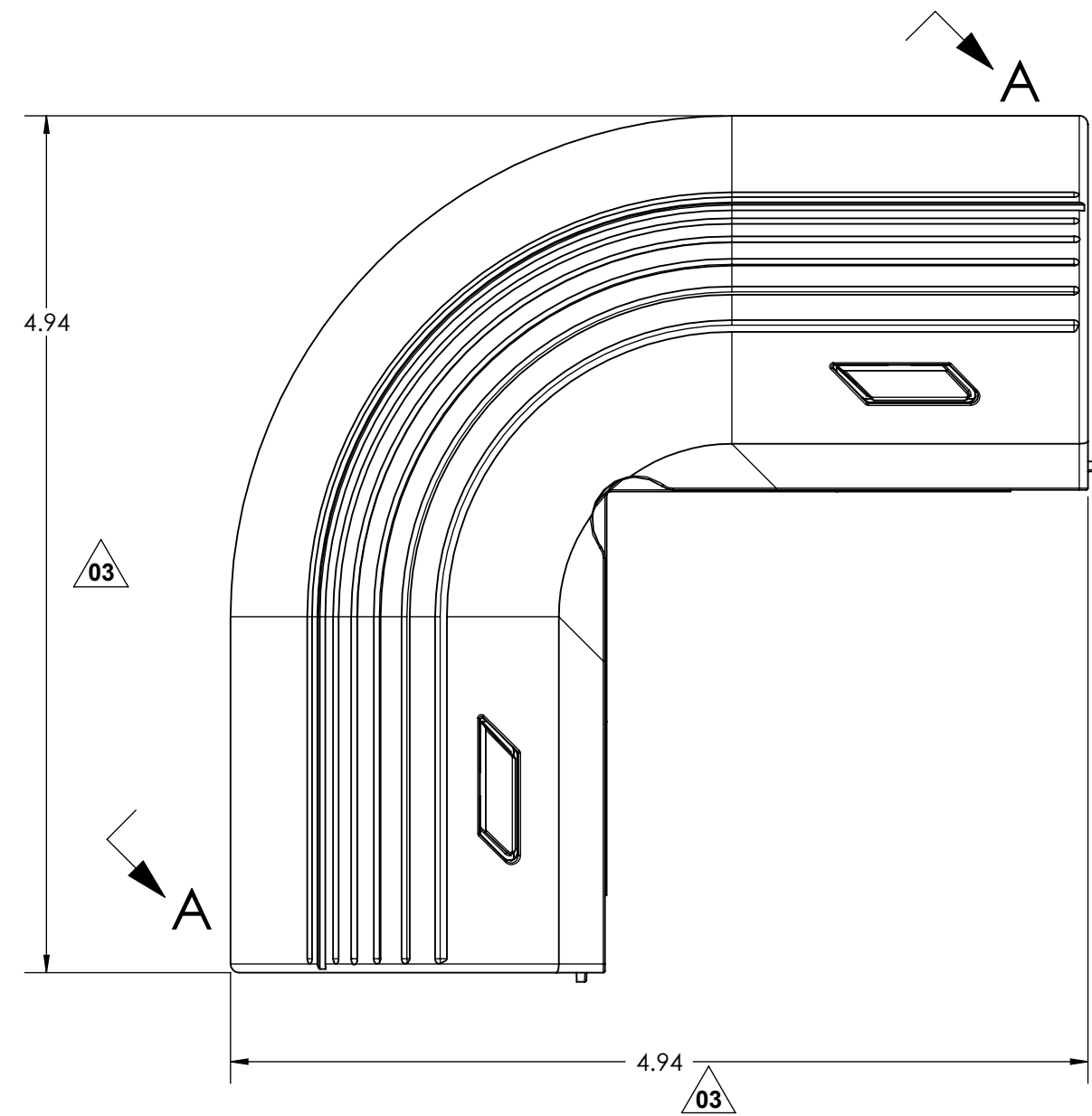
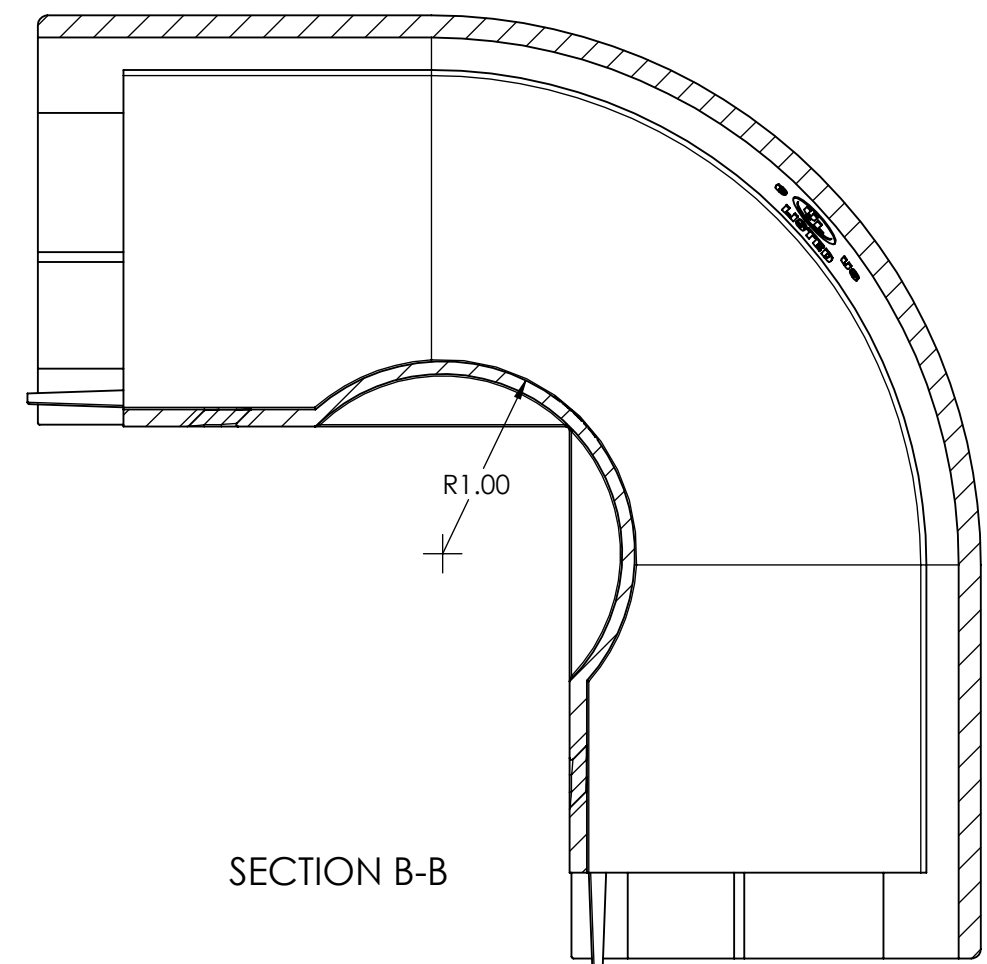
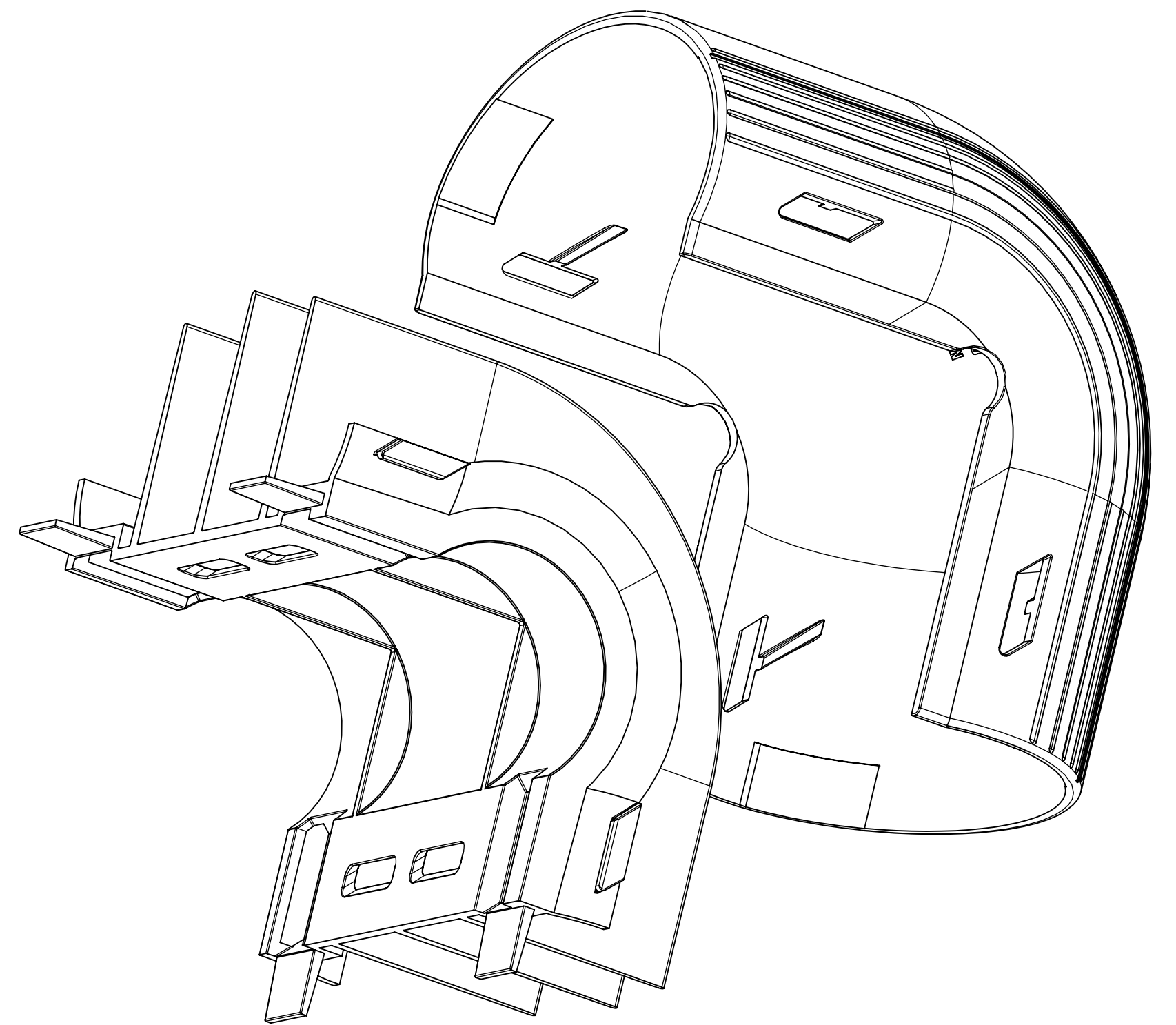


SECTION A-A



SLOTTED MTG. HOLE (4)
ACCEPTS #8 ROUND OR
PAN HEAD SCREW.



SECTION B-B

PART NO. DESCRIPTION

MCR -EE

COLOR: CONTACT FACTORY FOR AVAILABLE COLORS.

INVENTORS

HellermannTyton®		
ALL PROPRIETARY RIGHTS IN THE SUBJECT MATTER SHOWN ON THIS DRAWING ARE EXCLUSIVE PROPERTY OF HELLERMANN TYTON		
name	date	city, state

NOTES

1. THIS ASSEMBLY ACCEPTS (2) MCR RACEWAYS.
2. ALL DUPLICATE FIGURES ARE SYMETRICAL ABOUT ϕ .

REVISION	level	03
	by	MHT
	date	04/18/2011
	ECN #	011814
	part level	-

TOLERANCES	.XXXX = ±.0005
	.XXX = ±.005
	.XX = ±.01
	.X = ±.03
	∠ = ±0.5°
unless otherwise specified	
units	inches

PART	number	MCR_-EE	phase	Production
	name			
	MULTI-CHANNEL RACEWAY EXTERNAL ELBOW			
	material			
	HIPS HIGH IMPACT POLYSTYRENE			

DRAWING	format	CAD	SW 2010	scale	1:1
	version	N			
	computer file name	DT2013115CST_03		previous drawing number	
	drawn	MEF	checked	KAC	approved
	date	12/02/1998	checked	04/19/2011	approved
type	Customer			sheet 1 of 1	
number	DT2013115CST				