

Evaluation Board for CS4245

Features

- Single-ended Analog Inputs
- Single-ended Analog Outputs
- CS8406 S/PDIF Digital Audio Transmitter
- CS8416 S/PDIF Digital Audio Receiver
- Independent ADC and DAC Clock Domains
- Header for Optional External Software Configuration of CS4245
- Header for External PCM Serial Audio I/O
- 3.3 V Logic Interface
- Pre-defined Software Scripts
- Demonstrates Recommended Layout and Grounding Arrangements
- Windows® Compatible Software Interface to Configure CS4245 and Inter-board Connections

Description

The CDB4245 evaluation board is an excellent means for evaluating the CS4245 CODEC. Evaluation requires an analog/digital signal source and analyzer, and power supplies. A Windows® PC compatible computer must be used to evaluate the CS4245.

System timing for the I²S, Left-Justified and Right-Justified interface formats can be provided by the CS4245, the CS8416, the CS8406, or by a PCM I/O stake header with an external source connected.

RCA phono jacks are provided for the CS4245 analog inputs and outputs. Digital data I/O is available via RCA phono or optical connectors to the CS8416 and CS8406.

The Windows® software provides a GUI to make configuration of the CDB4245 easy. The software communicates through the PC's serial port to configure the control port registers so that all features of the CS4245 can be evaluated. The evaluation board may also be configured to accept external timing and data signals for operation in a user application during system development.

ORDERING INFORMATION

CDB4245

Evaluation Board

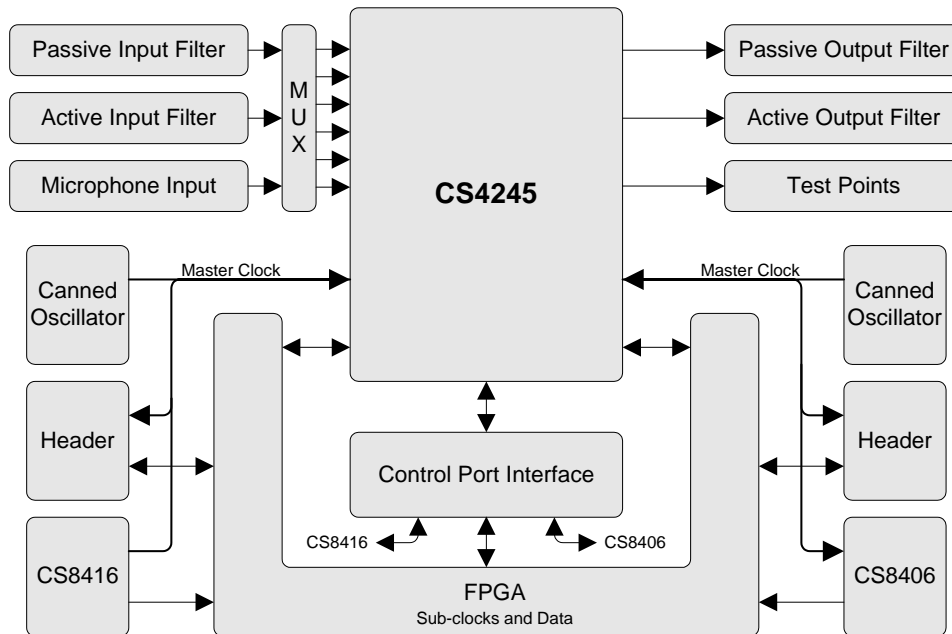


TABLE OF CONTENTS

1. SYSTEM OVERVIEW	4
1.1 Power	4
1.2 Grounding and Power Supply Decoupling	4
1.3 CS4245 Audio CODEC	4
1.4 CS8406 Digital Audio Transmitter	4
1.5 CS8416 Digital Audio Receiver	4
1.6 FPGA	5
1.7 Canned Oscillators	5
1.8 External Control Headers	5
1.9 Analog Inputs	5
1.10 Analog Outputs	5
1.10.1 DAC Outputs	5
1.10.2 Auxiliary Outputs	5
1.11 Serial Control Port	5
1.12 USB Control Port	6
2. SYSTEM CLOCKING	6
2.1 Clock Domain 1	6
2.2 Clock Domain 2	6
3. SYSTEM DATA ROUTING	6
3.1 CS4245 SDIN Source	6
3.2 CS8406 SDIN Source	6
4. PC SOFTWARE CONTROL	7
4.1 CDB4245 Controls Tab	7
4.2 S/PDIF I/O Controls Tab	8
4.3 Register Maps Tab	9
4.4 Pre-Configured Script Files	9
4.4.1 Oscillator Clock - ADC Ch 1 to DAC & SPDIF Out	9
4.4.2 SPDIF Recovered Clock - SPDIF to DAC & ADC to SPDIF	10
5. FPGA REGISTER QUICK REFERENCE	11
6. FPGA REGISTER DESCRIPTION	12
7. CDB CONNECTORS, JUMPERS, AND SWITCHES	15
8. CDB BLOCK DIAGRAM	17
9. CDB SCHEMATICS	18
10. CDB LAYOUT	26
11. REVISION HISTORY	29

LIST OF FIGURES

Figure 1. CDB4245 Controls Tab.....	7
Figure 2. S/PDIF I/O Controls Tab	8
Figure 3. Register Maps Tab.....	9
Figure 4. Block Diagram.....	17
Figure 5. CS4245	18
Figure 6. Analog Inputs	19
Figure 7. Analog Outputs	20
Figure 8. S/PDIF I/O.....	21
Figure 9. Control Port.....	22
Figure 10. FPGA	23
Figure 11. Discrete Clock Routing and Level Shifting.....	24
Figure 12. Power.....	25
Figure 13. Silk Screen.....	26
Figure 14. Topside Layer	27
Figure 15. Bottom side Layer	28

LIST OF TABLES

Table 1. MCLK2 Source.....	12
Table 2. MCLK1 Source.....	12
Table 3. DAC Subclock Source.....	13
Table 4. ADC Subclock Source.....	13
Table 5. SDIN1 Source	14
Table 6. CS8406 SDIN Source	14
Table 7. System Connections	15
Table 8. System Jumper Settings	16
Table 9. Revision History	29

1. SYSTEM OVERVIEW

The CDB4245 evaluation board is an excellent means for evaluating the CS4245 CODEC. Analog and digital audio signal interfaces are provided, an on-board FPGA is used for easily configuring the evaluation platform, and a 9-pin serial cable is included for use with the supplied Windows® configuration software.

The CDB4245 schematic set is shown in Figures 5 through 12.

1.1 Power

Power must be supplied to the evaluation board through the red +5.0 V binding post. On-board regulators provide 3.3 V, 2.5 V, and 1.8 V supplies. Appropriate supply levels for powering VA, VD, VLS, and VLC are set by a series of jumpers (see Table 8 on page 16). All voltage inputs must be referenced to the single black binding post ground connector (see Table 7 on page 15).

WARNING: Please refer to the CS4245 data sheet for allowable voltage levels.

1.2 Grounding and Power Supply Decoupling

The CS4245 requires careful attention to power supply and grounding arrangements to optimize performance. Figure 4 on page 17 provides an overview of the connections to the CS4245. Figure 13 on page 26 shows the component placement. Figure 14 on page 27 shows the top layout. Figure 15 on page 28 shows the bottom layout. The decoupling capacitors are located as close to the CS4245 as possible. Extensive use of ground plane fill in the evaluation board yields large reductions in radiated noise.

1.3 CS4245 Audio CODEC

A complete description of the CS4245 is included in the CS4245 product data sheet.

The required configuration settings of the CS4245 are made in its control port registers, accessible through the CS4245 tab of the Cirrus Logic FlexGUI software.

Clock and data source selections are made through the control port of the FPGA. Basic routing selections can be made using the CS4245 Controls tab in the GUI software application. Advanced options are accessible through the Board Configuration sub-tab on the Register Maps tab of the Cirrus Logic FlexGUI software. Refer to the FPGA register descriptions sections beginning on page 12.

1.4 CS8406 Digital Audio Transmitter

A complete description of the CS8406 transmitter (Figure 8 on page 21) and a discussion of the digital audio interface are included in the CS8406 data sheet.

The CS8406 converts the PCM data generated by the CS4245 to the standard S/PDIF data stream. The CS8406 can operate in either master or slave mode, accepts 128 Fs, 256 Fs, 384 Fs, and 512 Fs master clocks on the OMCK input pin, and can operate in the Left-Justified, I²S, Right-Justified 16-bit, and Right-Justified 24-bit interface formats.

The most common operations of the CS8406 may be controlled via the S/PDIF I/O Controls tab in the GUI software application. Advanced options are accessible through the CS8406 sub-tab on the Register Maps tab of the Cirrus Logic FlexGUI software.

1.5 CS8416 Digital Audio Receiver

A complete description of the CS8416 receiver (Figure 8 on page 21) and a discussion of the digital audio interface are included in the CS8416 data sheet.

The CS8416 converts the input S/PDIF data stream into PCM data for the CS4245 and operates in master or slave mode, generating either a 128 Fs or 256 Fs master clock on the RMCK output pin, and can operate in the Left-Justified, I²S, Right-Justified 16-bit, and Right-Justified 24-bit interface formats.

The most common operations of the CS8416 may be controlled via the S/PDIF I/O Controls tab in the GUI software application. Advanced options are accessible through the CS8416 sub-tab on the Register Maps tab of the Cirrus Logic FlexGUI software.

1.6 FPGA

The FPGA handles both clock and data routing on the CDB4245. Clock and data routing selections made via the CDB4245 Controls tab in the GUI will be handled by the FPGA with no user intervention required. For advanced information regarding the internal registers and operation of the FPGA, see sections 5 and 6 beginning on page 11.

1.7 Canned Oscillators

Two canned oscillators, Y1 and Y2, are available to provide a master clock source to the CDB4245.

Each oscillator is mounted in pin sockets, allowing easy removal or replacement. The board is shipped with 12.2880 MHz crystal oscillators populated.

1.8 External Control Headers

The evaluation board has been designed to allow interfacing with external systems via the headers J9, J10, and J17.

The 8-pin, 2 row header, J10, provides access to the serial audio signals required to interface Serial Audio Port 1 of the CS4245 with a DSP (see Figure 11 on page 24).

The 8-pin, 2 row header, J9, provides access to the serial audio signals required to interface Serial Audio Port 2 of the CS4245 with a DSP (see Figure 11 on page 24).

The direction of the signals on headers J9 and J10 can be configured using the controls located within the Board Controls group box on the CDB4245 Controls tab in the provided GUI software.

The 15-pin, 3 row header, J17, allows the user bidirectional access to the SPI/I²C control signals by simply removing all the shunt jumpers from the “PC” position. The user may then choose to connect a ribbon cable to the “EXTERNAL CONTROL” position. A single “GND” row for the ribbon cable’s ground connection is provided to maintain signal integrity. Two unpopulated pull-up resistors are also available should the user choose to use the CDB for the I²C power rail.

1.9 Analog Inputs

RCA connectors supply the CS4245 analog inputs through single-ended, unity gain, active or passive circuits. Refer to the CS4245 data sheet for the ADC full-scale level.

A 4-pin CD-ROM type header is provided for easily connecting the analog outputs from a CD-ROM drive to the analog inputs of the CS4245.

1.10 Analog Outputs

1.10.1 DAC Outputs

The CS4245 DAC analog outputs are routed through a single-pole passive RC filter. The output of the filter is connected to RCA jacks for easy evaluation.

1.10.2 Auxiliary Outputs

The CS4245 auxiliary analog outputs are routed through a two-pole active filter. The output of the filter is connected to RCA jacks for easy evaluation.

1.11 Serial Control Port

A graphical user interface is included with the CDB4245 to allow easy manipulation of the registers in the CS4245, CS8416, CS8406, and FPGA. See the device-specific data sheets for the CS4245, CS8416, and CD8406 internal register descriptions. The internal register map for the FPGA is located in section 5 on page 11.

Connecting a cable to the RS-232 connector (J42) and launching the Cirrus Logic FlexGUI software (Flex-Loader.exe) will enable the CDB4245.

Refer to “PC Software Control” on page 7 for a description of the Graphical User Interface (GUI).

1.12 USB Control Port

The USB control port connector (J37) is currently unavailable.

2. SYSTEM CLOCKING

The CDB4245 implements two discrete clocking domains. One discrete domain services Serial Audio Port 1 of the CS4245, and the other discrete domain services Serial Audio Port 2 of the CS4245. The two clock domains may operate independently, or may be tied together. Configuration of the clocking domains is achieved using the controls within the Board Controls group box on the CDB4245 Controls tab in the GUI software application.

2.1 Clock Domain 1

Clock domain 1 is comprised of Serial Audio Port 1 of the CS4245, the CS8406, Oscillator 1 (canned oscillator Y1), and the PCM1 I/O header (J10).

The master clock signal (MCLK1) may be sourced from Oscillator 1 (Y1), the PCM1 I/O header (J10), or may be copied from the MCLK2 signal.

The sub-clock signals (SCLK1 and LRCK1) may be sourced from the CS4245 in master mode, the CS8406 in master mode, the PCM1 I/O header, or may be copied from the sub-clock 2 signals (SCLK2 and LRCK2).

Configuration of clock domain 1 is achieved using the MCLK 1 Source and Subclock 1 Source controls within the Board Controls group box on the CDB4245 Controls tab in the GUI software application.

2.2 Clock Domain 2

Clock domain 2 is comprised of Serial Audio Port 2 of the CS4245, the CS8416, Oscillator 2 (canned oscillator Y2), and the PCM2 I/O header (J9).

The master clock signal (MCLK2) may be sourced from Oscillator 2 (Y2), the CS8416 recovered clock, the PCM2 I/O header (J9), or may be copied from the MCLK1 signal.

The sub-clock signals (SCLK2 and LRCK2) may be sourced from the CS4245 in master mode, the CS8416 in master mode, the PCM2 I/O header, or may be copied from the sub-clock 1 signals (SCLK1 and LRCK1).

Configuration of clock domain 2 is achieved using the MCLK 2 Source and Subclock 2 Source controls within the Board Controls group box on the CDB4245 Controls tab in the GUI software application.

3. SYSTEM DATA ROUTING

The CDB4245 implements comprehensive data routing capabilities. The SDIN source of both the CS4245 and the CS8406 may be easily selected using the provided GUI software application.

3.1 CS4245 SDIN Source

The CS8416 S/PDIF receiver, the PCM2 I/O header (J9), or the CS4245 serial data output (SDOUT) may source the serial data input of the CS4245. Configuration of the CS4245 SDIN source is achieved using the CS4245 SDIN Source control within the Board Controls group box on the CDB4245 Controls tab in the GUI software application.

3.2 CS8406 SDIN Source

The CS8416 S/PDIF receiver, the PCM2 I/O header (J9), or the CS4245 serial data output (SDOUT) may source the serial data input of the CS8406 S/PDIF transmitter. Configuration of the CS8406 SDIN source is achieved using the CS8406 SDIN Source control within the Board Controls group box on the CDB4245 Controls tab in the GUI software application.

4. PC SOFTWARE CONTROL

The CDB4245 is shipped with a Microsoft Windows® based graphical user interface which allows control over the CS4245, CS8416, CS8406, and FPGA. The board control software communicates with the CDB4245 over the RS-232 interface using the PC's COM1 port.

To use the board control software, the contents of the included CD-ROM should first be copied to a directory on the PC's local disk. If applied, the Read Only attribute should be removed from all files. Once the appropriate cable has been connected between the CDB4245 and the host PC, load FlexLoader.exe from the Software directory. When the software loads, all devices will be reset to their default reset state.

The GUI's File menu provides the ability to save and load script files containing all of the register settings. Pre-configured script files are provided for basic functionality. Refer to "Pre-Configured Script Files" on page 9 for details.

4.1 CDB4245 Controls Tab

The CDB4245 Controls tab provides a high-level intuitive interface to many of the configuration options of the CS4245 and CDB4245. The controls within the CS4245 Controls group box (with the exception of the AD0 and AD1 controls) control the internal registers of the CS4245. The controls within the Board Controls group box control the board level clock and data routing on the CDB4245.

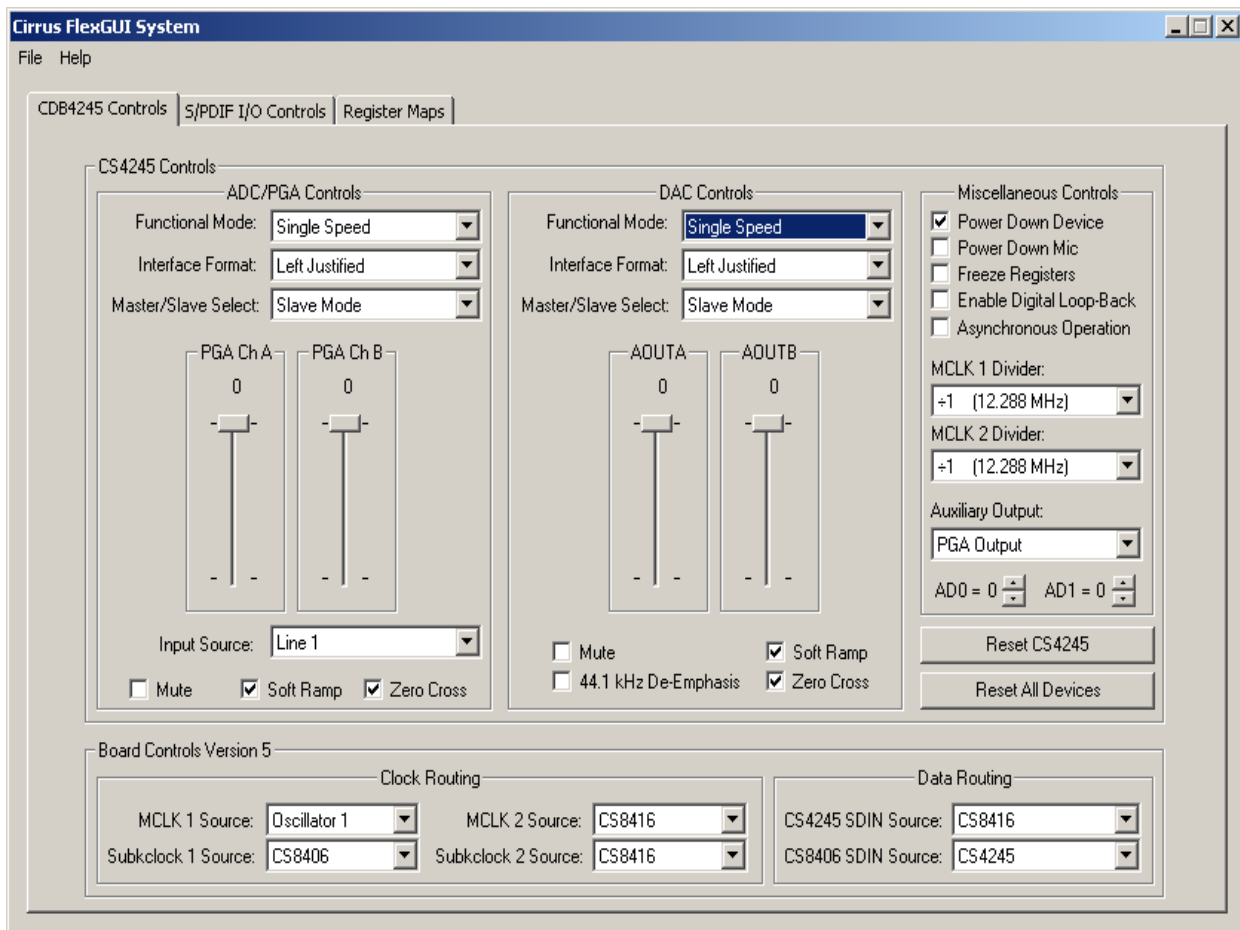


Figure 1. CDB4245 Controls Tab

4.2 S/PDIF I/O Controls Tab

When the CDB4245 is configured to make use of the CS8416 S/PDIF receiver or CS8406 S/PDIF transmitter, these devices must be configured for proper operation. The S/PDIF I/O Controls tab provides a high-level intuitive interface to the most common configuration options of the CS8416 and CS8406.

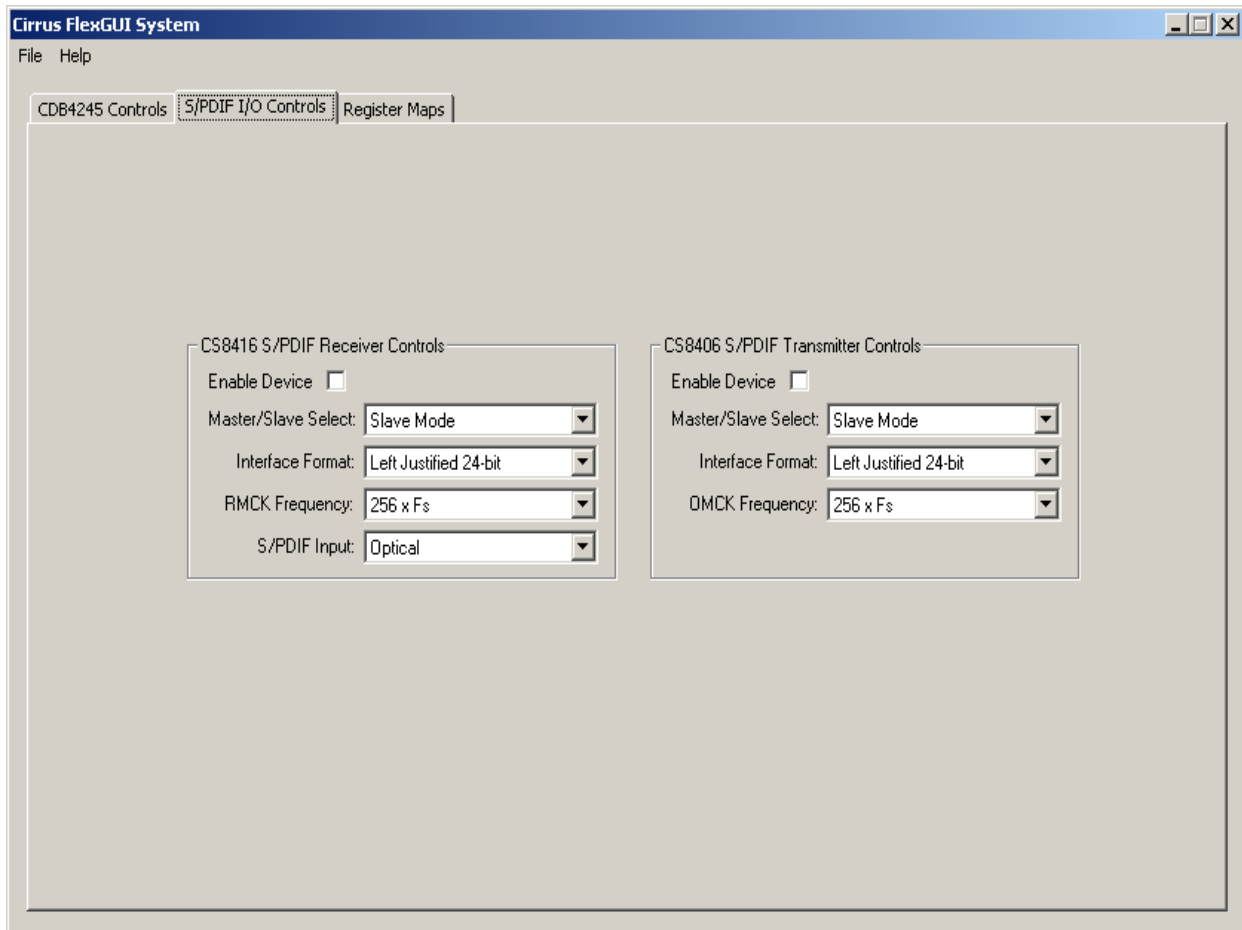


Figure 2. S/PDIF I/O Controls Tab

4.3 Register Maps Tab

The Register Maps tab provides low level control over the register level settings of the CS4245, CS8416, CS8406, and FPGA. Each device is displayed on a separate tab. Register values can be modified bit-wise or byte-wise. For bit-wise, click the appropriate push button for the desired bit. For byte-wise, the desired hex value can be typed directly in the register address box in the register map.

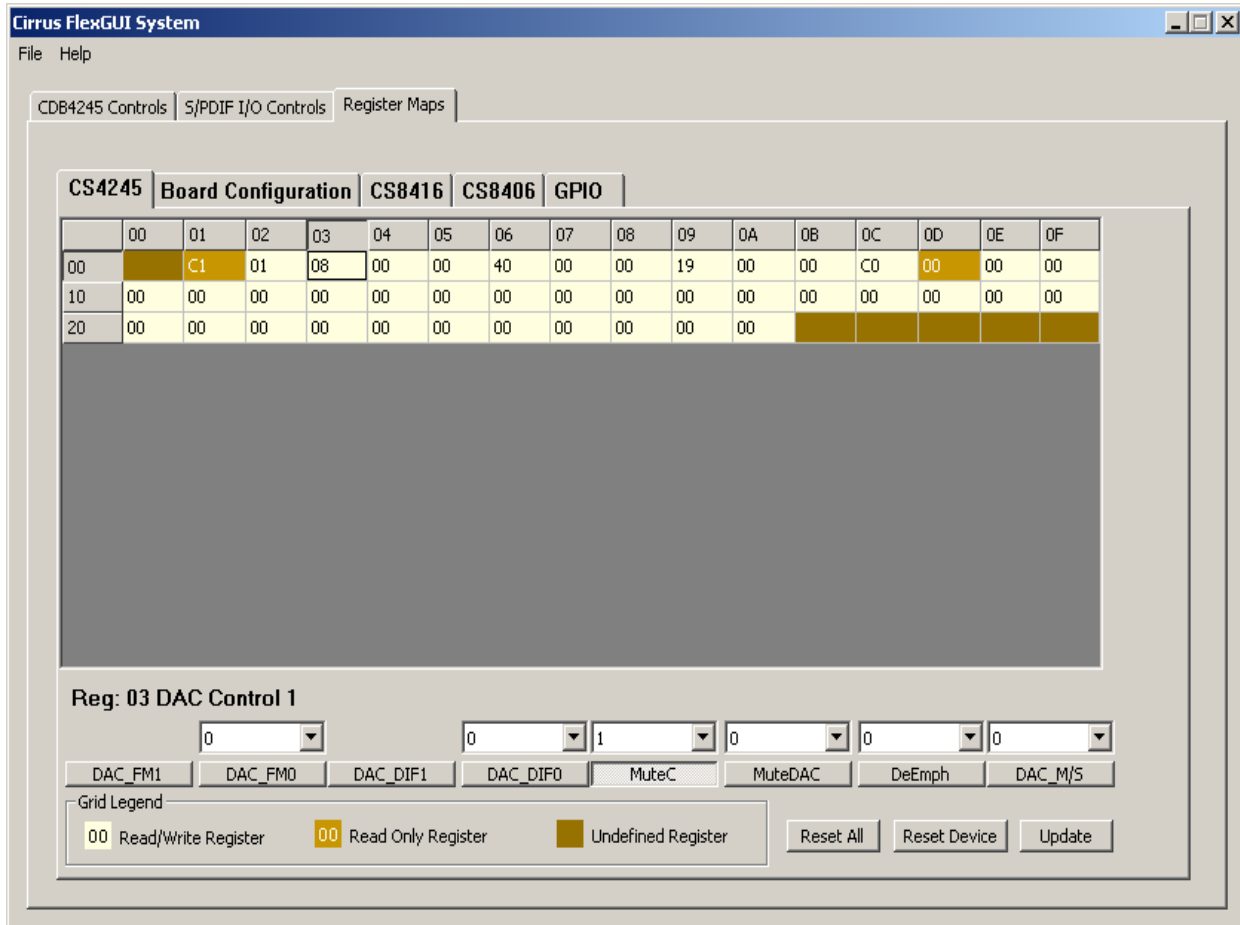


Figure 3. Register Maps Tab

4.4 Pre-Configured Script Files

Pre-configured script files are provided with the CDB4245 to allow easy initial board bring-up. The board configurations stored within these files are described in sections 4.4.1 - 4.4.2.

4.4.1 Oscillator Clock - ADC Ch 1 to DAC & SPDIF Out

Using the pre-configured script file named “Oscillator Clock - ADC Ch 1 to DAC & SPDIF Out.txt”, an analog input signal applied to channel 1 of the CS4245 input multiplexer will be digitized by the ADC, transmitted in S/PDIF format by the CS8406, and will be converted to analog by the CS4245 DAC and output through the passive output filter and RCA jacks.

The CS4245 is in synchronous mode, with Oscillator 1 as the source of MCLK for Clock Domain 1 and 2. The CS4245 Serial Audio Port 1 is the sub-clock master to both the CS4245 Serial Audio Port 2, and the CS8406.

4.4.2 SPDIF Recovered Clock - SPDIF to DAC & ADC to SPDIF

Using the pre-configured script file named "SPDIF Recovered Clock - SPDIF to DAC & ADC to SPDIF.txt", an analog input signal applied to channel 1 of the CS4245 input multiplexer will be digitized by the ADC, transmitted in S/PDIF format by the CS8406. A S/PDIF input signal will be converted to analog by the CS4245 DAC and output through the passive output filter and RCA jacks. For proper operation of this script, a valid S/PDIF signal must be applied.

The CS4245 is in synchronous mode, with the CS8416 as the source of MCLK for Clock Domain 1 and 2. The CS8416 is also the sub-clock master to both the CS4245 Serial Audio Port 1 and 2, as well as the CS8406.

5. FPGA REGISTER QUICK REFERENCE

This table shows the register names and their associated default values.

Addr	Function	7	6	5	4	3	2	1	0
01h	Code Rev. ID	Rev7	Rev6	Rev5	Rev4	Rev3	Rev2	Rev1	Rev0
		x	x	x	x	x	x	x	x
02h	MCLK Source	Reserved	Reserved	MCLK2.1	MCLK2.0	Reserved	Reserved	MCLK1.1	MCLK1.0
		0	0	1	0	0	0	0	0
03h	Subclock Source	Reserved	Reserved	DAC1	DAC0	Reserved	Reserved	ADC1	ADC0
		0	0	0	1	0	0	0	1
04h	CS4245 SDIN Source	Reserved	Reserved	Reserved	Reserved	Reserved	Reserved	SDIN1	SDIN0
		0	0	0	0	0	0	0	0
05h	Transmitter SDIN Source	Reserved	Reserved	CS8406.1	CS8406.0	Reserved	Reserved	Reserved	Reserved
		0	0	0	1	0	0	0	1

6. FPGA REGISTER DESCRIPTION

6.1 CODE REVISION ID - ADDRESS 01H

7	6	5	4	3	2	1	0
Rev7	Rev6	Rev5	Rev4	Rev3	Rev2	Rev1	Rev0

Function:

Identifies the revision of the FPGA code. This register is Read-Only.

6.2 MCLK SOURCE CONTROL - ADDRESS 02H

7	6	5	4	3	2	1	0
Reserved	Reserved	MCLK2.1	MCLK2.0	Reserved	Reserved	MCLK1.1	MCLK1.0

6.2.1 MCLK2 SOURCE (BITS 5:4)

Default = 10

Function:

These bits select the source of the CS4245 MCLK2 signal. Table 1 shows the available settings.

Table 1. MCLK2 Source

MCLK2.1	MCLK2.0	MCLK2 Source
0	0	Oscillator 2
0	1	MCLK2 position on Header 2
1	0	CS8416 RMCK
1	1	MCLK1

6.2.2 MCLK1 SOURCE (BITS 1:0)

Default = 00

Function:

This bit selects the source of the CS4245 MCLK1 signal. Table 2 shows the available settings.

Table 2. MCLK1 Source

MCLK1.1	MCLK1.0	MCLK1 Source
0	0	Oscillator 1
0	1	MCLK1 position on Header 1
1	0	Reserved
1	1	MCLK2

6.3 SUBCLOCK SOURCE CONTROL - ADDRESS 03H

7	6	5	4	3	2	1	0
Reserved	Reserved	DAC1	DAC0	Reserved	Reserved	ADC1	ADC0

6.3.1 DAC SUBCLOCK SOURCE (BITS 5:4)

Default = 01

Function:

These bits select the source of the CS4245 SCLK2 and LRCK2 signals. Table 3 shows the available settings.

Table 3. DAC Subclock Source

DAC1	DAC0	DAC Subclock Source
0	0	<ul style="list-style-type: none"> - CS4245 is Master - CS8416 is Slave to CS4245 - Header 2 Subclocks are Output from CS4245
0	1	<ul style="list-style-type: none"> - CS4245 is Slave to CS8416 - CS8416 is Master - Header 2 Subclocks are Output from CS8416
1	0	<ul style="list-style-type: none"> - CS4245 is Slave to Header - CS8416 is Slave to Header - Header 2 subclocks are an Input
1	1	<ul style="list-style-type: none"> - CS4245 is Slave to ADC subclocks - CS8416 is Slave to ADC subclocks - Header 2 Subclocks are Output from ADC subclocks

6.3.2 ADC SUBCLOCK SOURCE (BITS 1:0)

Default = 01

Function:

This bit selects the source of the CS4245 SCLK1 and LRCK1 signals. Table 4 shows the available settings.

Table 4. ADC Subclock Source

ADC1	ADC0	ADC Subclock Source
0	0	<ul style="list-style-type: none"> - CS4245 is Master - CS8406 is Slave to CS4245 - Header 1 Subclocks are Output from CS4245
0	1	<ul style="list-style-type: none"> - CS4245 is Slave to CS8406 - CS8406 is Master - Header 1 Subclocks are Output from CS8406
1	0	<ul style="list-style-type: none"> - CS4245 is Slave to Header - CS8406 is Slave to Header - Header 1 subclocks are an Input
1	1	<ul style="list-style-type: none"> - CS4245 is Slave to DAC subclocks - CS8406 is Slave to DAC subclocks - Header 1 Subclocks are Output from DAC subclocks

6.4 CS4245 SDIN SOURCE CONTROL - ADDRESS 04H

7	6	5	4	3	2	1	0
Reserved	Reserved	Reserved	Reserved	Reserved	Reserved	SDIN1	SDIN0

6.4.1 SDIN SOURCE (BITS 1:0)

Default = 00

Function:

These bits select the source of the CS4245 SDIN1 signal. Table 5 shows the available settings.

Table 5. SDIN1 Source

SDIN1	SDIN0	SDIN Source
0	0	CS8416 SDOUT
0	1	CS4245 SDOUT
1	0	SDIN from Header
1	1	Reserved

6.5 TRANSMITTER SDIN SOURCE CONTROL - ADDRESS 05H

7	6	5	4	3	2	1	0
Reserved	Reserved	CS8406.1	CS8406.0	Reserved	Reserved	Reserved	Reserved

6.5.1 CS8406 SDIN SOURCE (BITS 5:4)

Default = 00

Function:

These bits select the source of the CS8406 SDIN signal. Table 6 shows the available settings.

Table 6. CS8406 SDIN Source

CS8406.1	CS8406.0	CS8406 SDIN Source
0	0	CS8416 SDOUT
0	1	CS4245 SDOUT
1	0	SDIN from Header
1	1	Reserved

7. CDB CONNECTORS, JUMPERS, AND SWITCHES

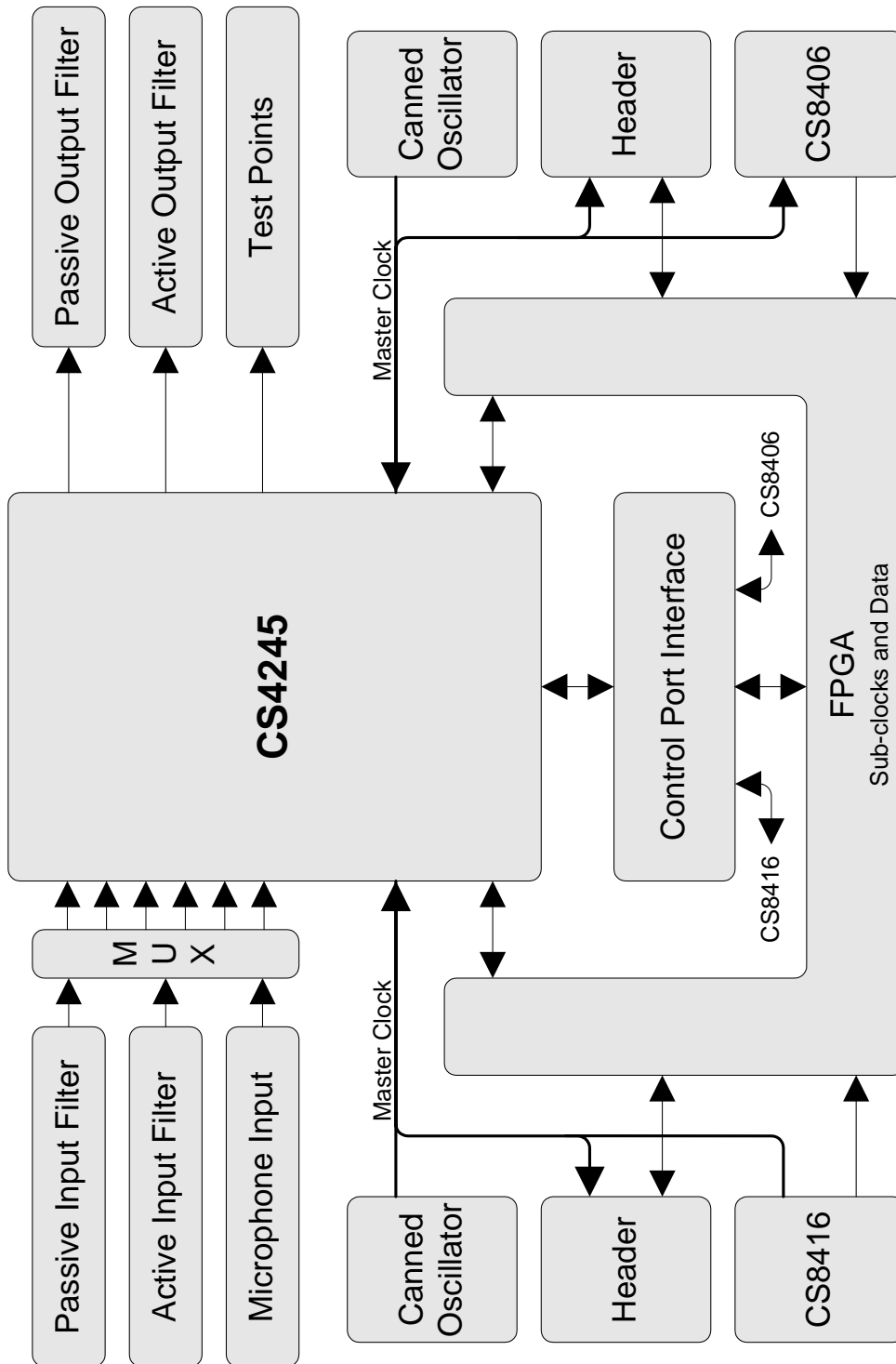
CONNECTOR	Reference Designator	INPUT/OUTPUT	SIGNAL PRESENT
+5V	J1	Input	+5.0 V Power Supply
GND	J2	Input	Ground Reference
S/PDIF RX	OPT1	Input	CS8416 digital audio input via optical cable
S/PDIF RX	J13	Input	CS8416 digital audio input via coaxial cable
S/PDIF TX	J15	Output	CS8406 digital audio output via coaxial cable
S/PDIF TX	OPT2	Output	CS8406 digital audio output via optical cable
RS232 I/O	J42	Input/Output	Serial connection to PC for SPI / I ² C control port signals
USB I/O	J37	Input/Output	USB connection to PC for SPI / I ² C control port signals. Not Available.
PCM1 I/O	J10	Input/Output	I/O for Serial Audio Port 1 Clocks & Data
PCM2 I/O	J9	Input/Output	I/O for Serial Audio Port 2 Clocks & Data
CONTROL	J17	Input/Output	I/O for external SPI / I ² C control port signals.
MICRO JTAG	J36	Input/Output	I/O for programming the micro controller (U46).
FPGA-JTAG	J18	Input/Output	I/O for programming the FPGA (U35).
MICRO RESET	S2	Input	Reset for the micro controller (U46).
PROGRAM FPGA	S1	Input	Reset for the FPGA (U35).
PINA PINB	J38 J39	Input	RCA phono jacks for analog input signal to CS4245. Pas- sive input filter.
AINA AINB	J40 J41	Input	RCA phono jacks for analog input signal to CS4245. Active input buffer.
MICIN1 MICIN2	J21 J34	Input	1/8" TRS jacks for microphone input.
AOUTA AOUTB	J14 J16	Output	RCA phono jacks for auxiliary analog outputs. Active output buffer.
POUTA POUTB	J8 J11	Output	RCA phono jacks for DAC analog output. Passive output fil- ter.

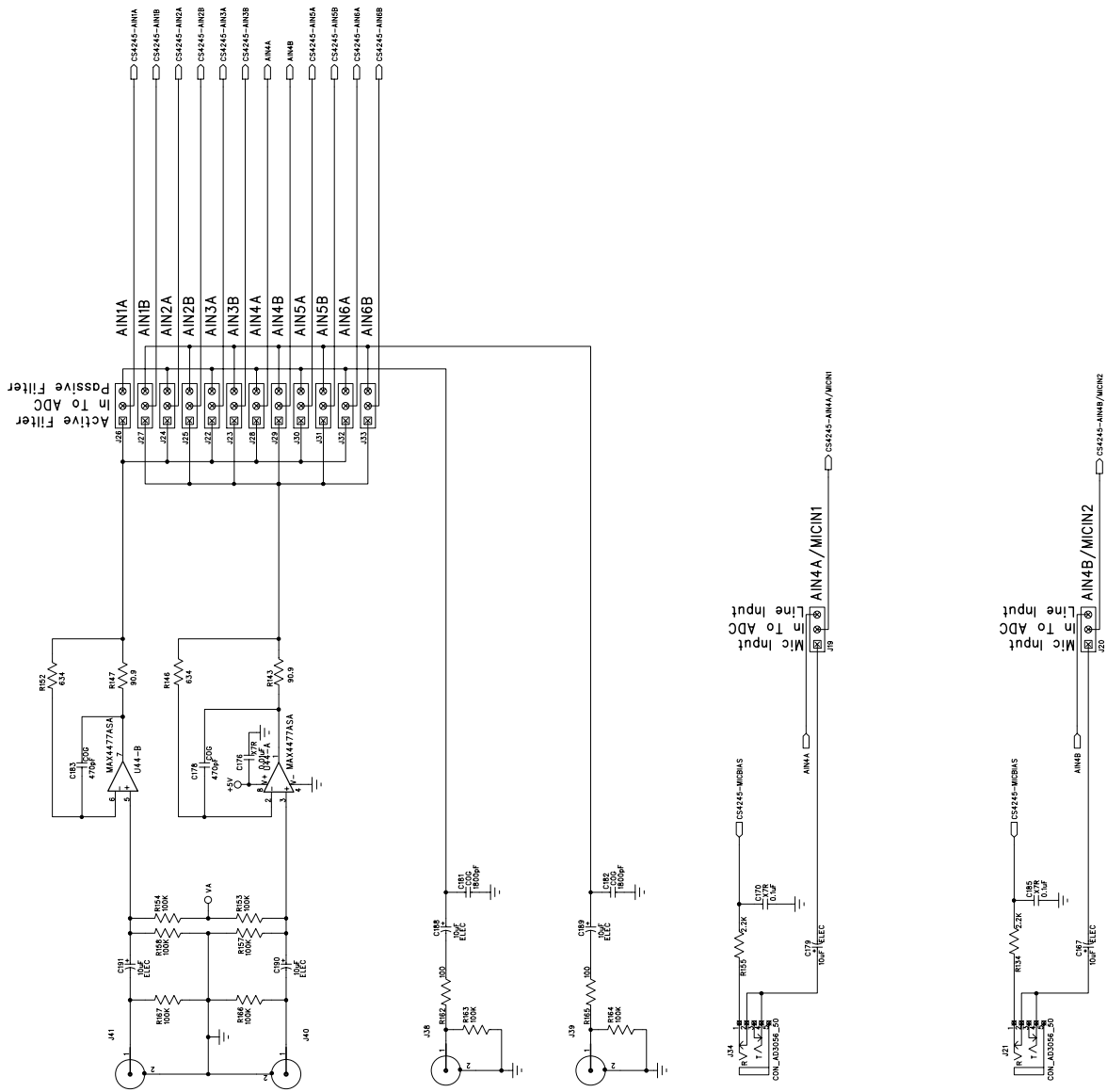
Table 7. System Connections

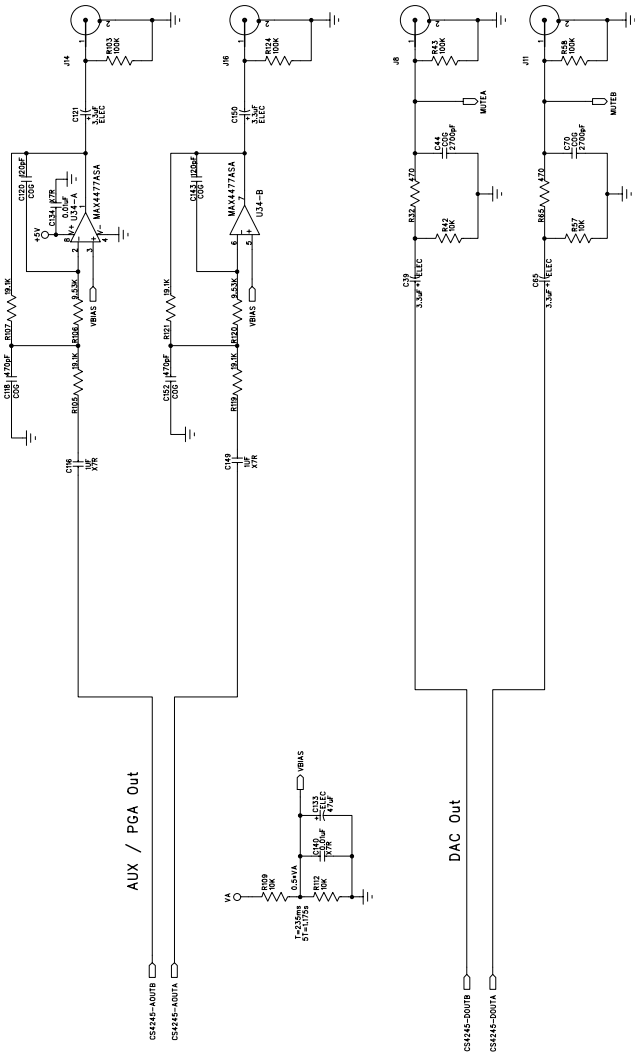
JUMPER	PURPOSE	POSITION	FUNCTION SELECTED
J3	Selects the source of voltage for the VLC supply.	+1.8 V +2.5 V +3.3 V +5 V*	Voltage source is +1.8 V regulator. Voltage source is +2.5 V regulator. Voltage source is +3.3 V regulator. Voltage source is +5 V regulator.
J4	Selects the source of voltage for the VD supply	+3.3 V +5 V*	Voltage source is +3.3 V regulator. Voltage source is +5 V regulator.
J5	Selects the source of voltage for the VLS supply.	+1.8 V +2.5 V +3.3 V +5 V*	Voltage source is +1.8 V regulator. Voltage source is +2.5 V regulator. Voltage source is +3.3 V regulator. Voltage source is +5 V regulator.
J6	Selects the source of voltage for the VA supply	+3.3 V +5 V*	Voltage source is +3.3 V regulator. Voltage source is +5 V regulator.
J7	Selects the function of the CS4245 MUTE \overline{C} output.	1* 2	Activate LED for channel A. Activate analog mute circuit for channel A.
J12	Selects the function of the CS4245 MUTE \overline{C} output.	1* 2	Activate LED for channel B. Activate analog mute circuit for channel B.
J19 J20	Select the input type for channel 4 of the CS4245 ADC input multiplexer.	Line Input* Mic Input	Select RCA input multiplexer as source. Select TRS inputs as source.
J22 - J33	Maps the passive and active input circuits to the CS4245 input multiplexer channels.	Passive Filter* Active Filter	Passive filter mapped to input MUX channel. Active filter mapped to input MUX channel.

*Default factory settings

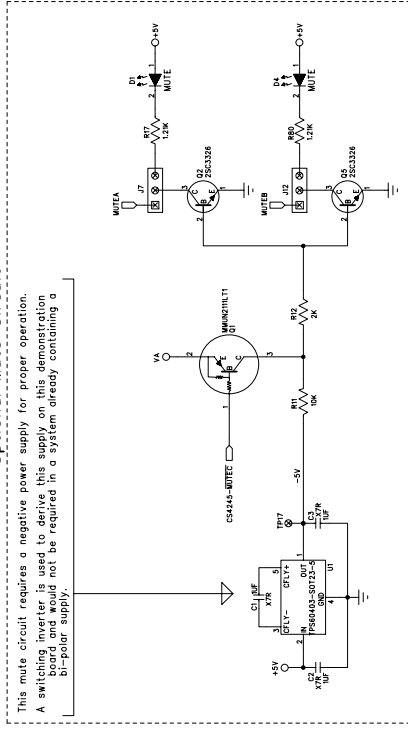
Table 8. System Jumper Settings

8. CDB BLOCK DIAGRAM

Figure 4. Block Diagram


Figure 6. Analog Inputs


Optional Mute Circuit

This mute circuit requires a negative power supply for proper operation. A switching inverter is used to derive this supply on this demonstration board and would not be required in a system already containing a bi-polar supply.


Figure 7. Analog Outputs

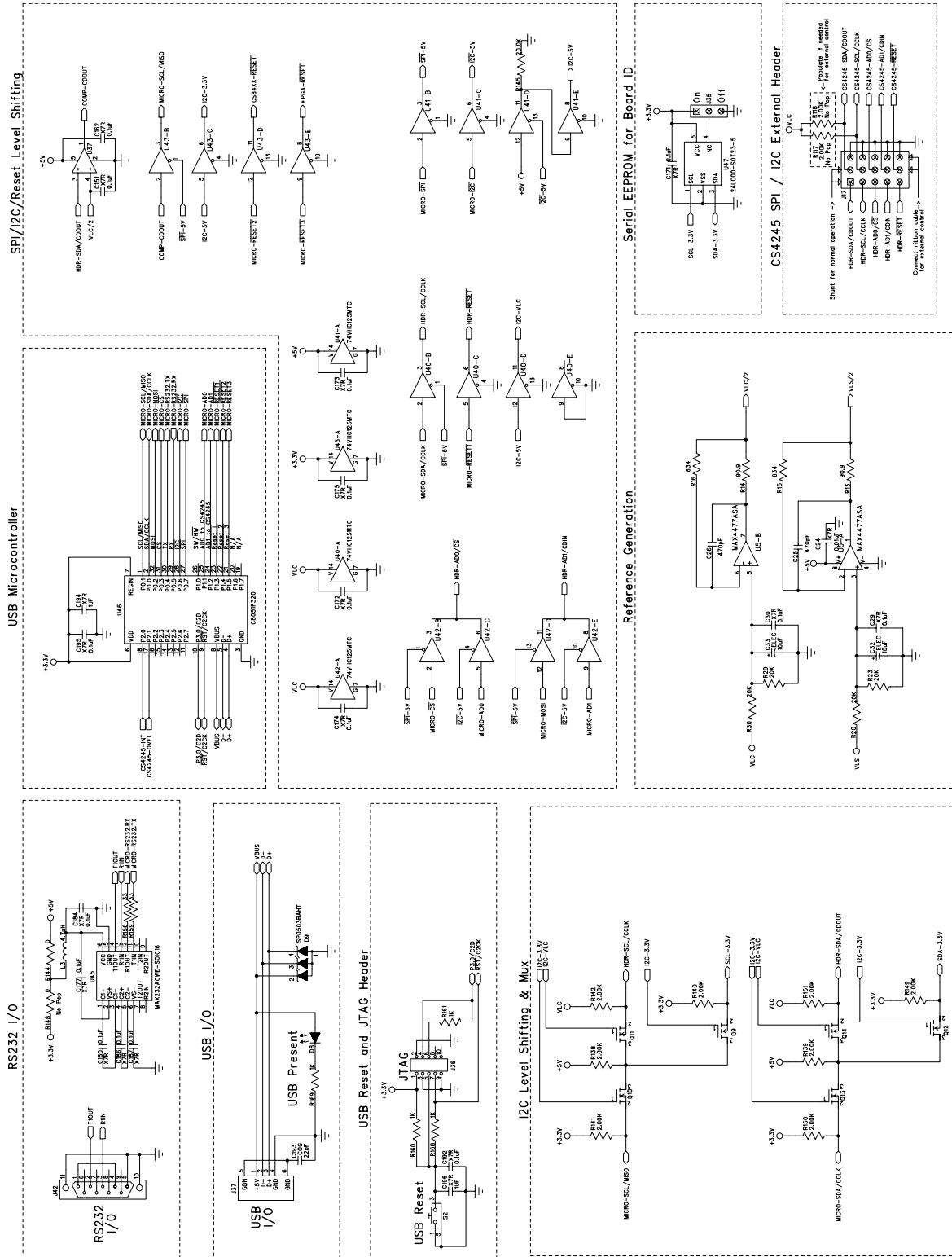


Figure 9. Control Port

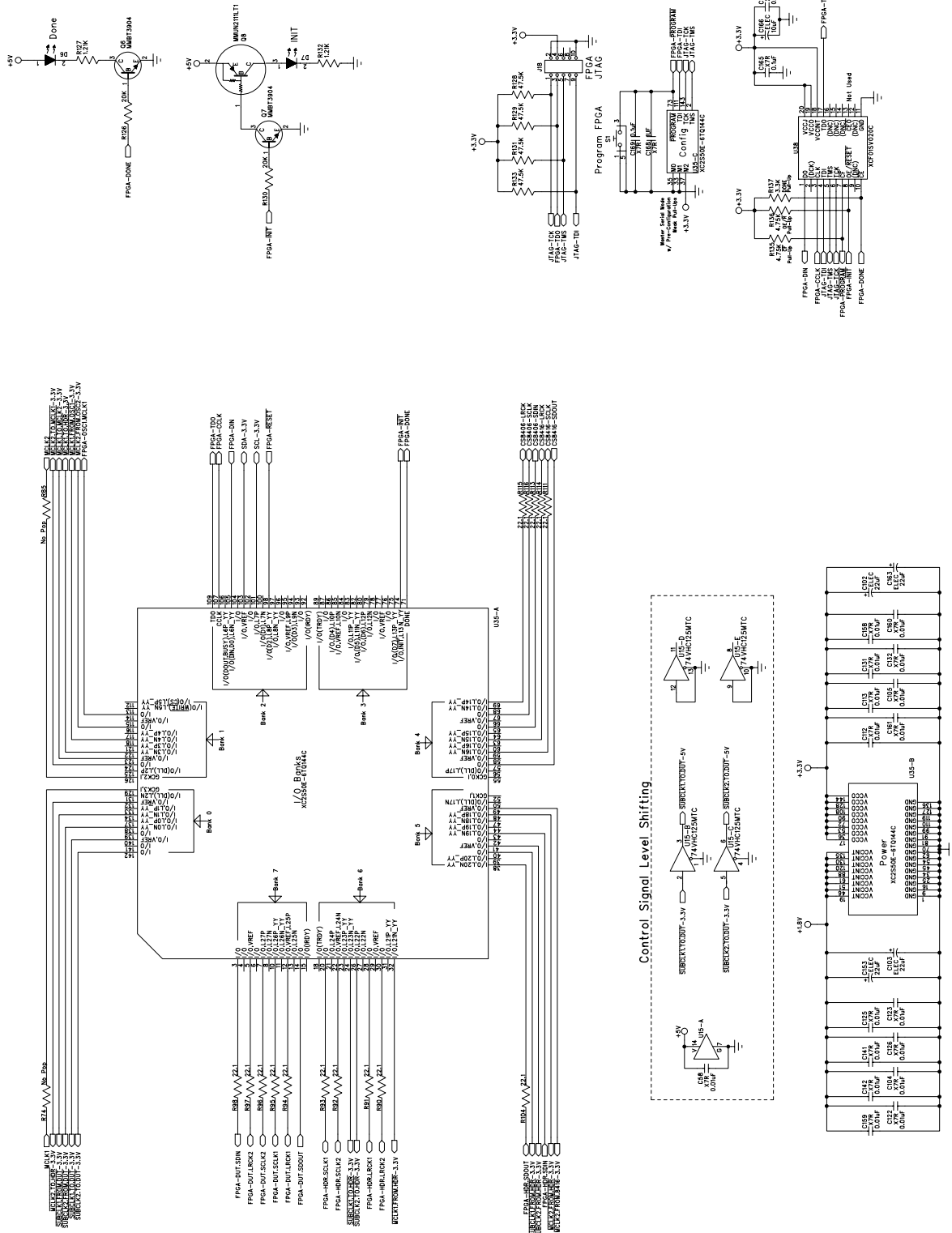


Figure 10. FPGA

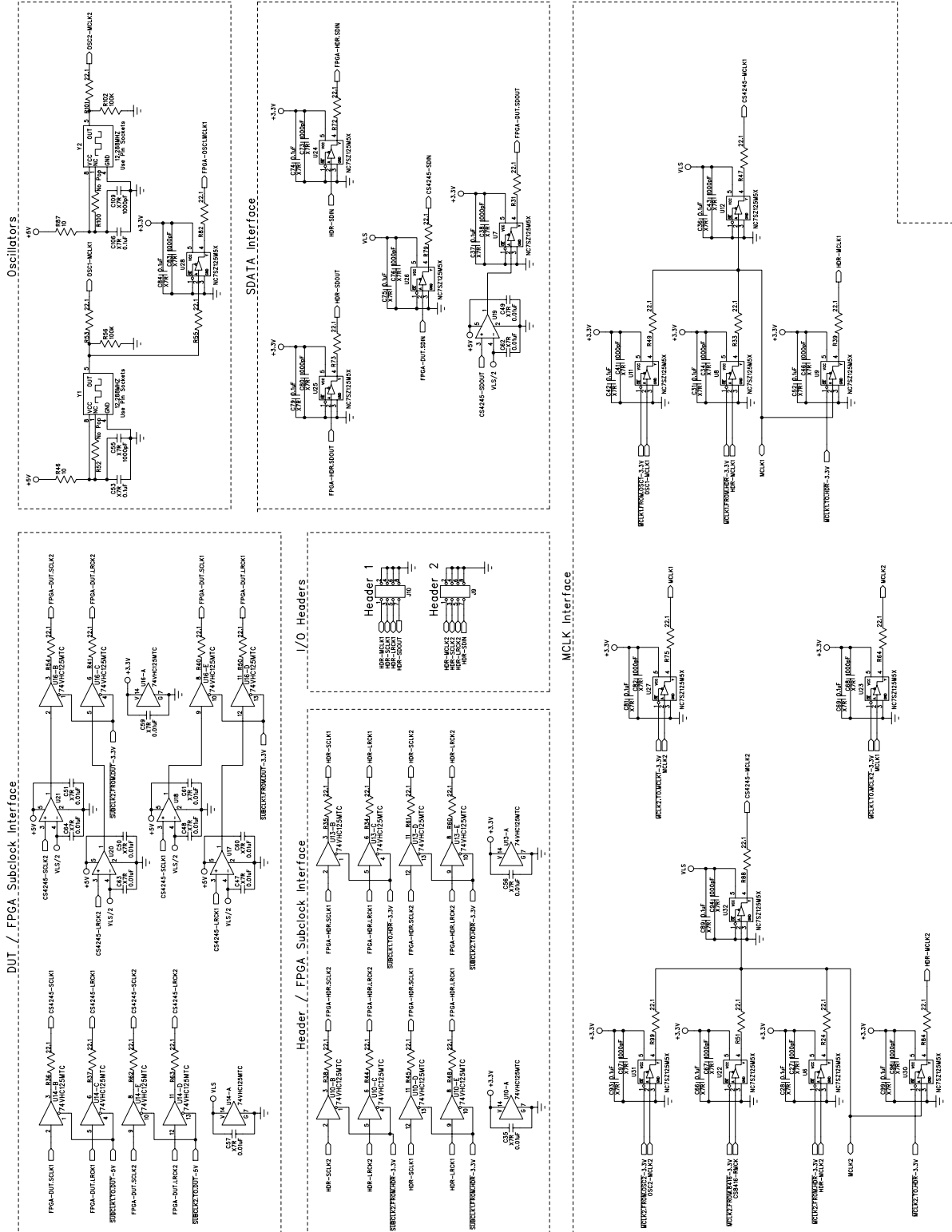
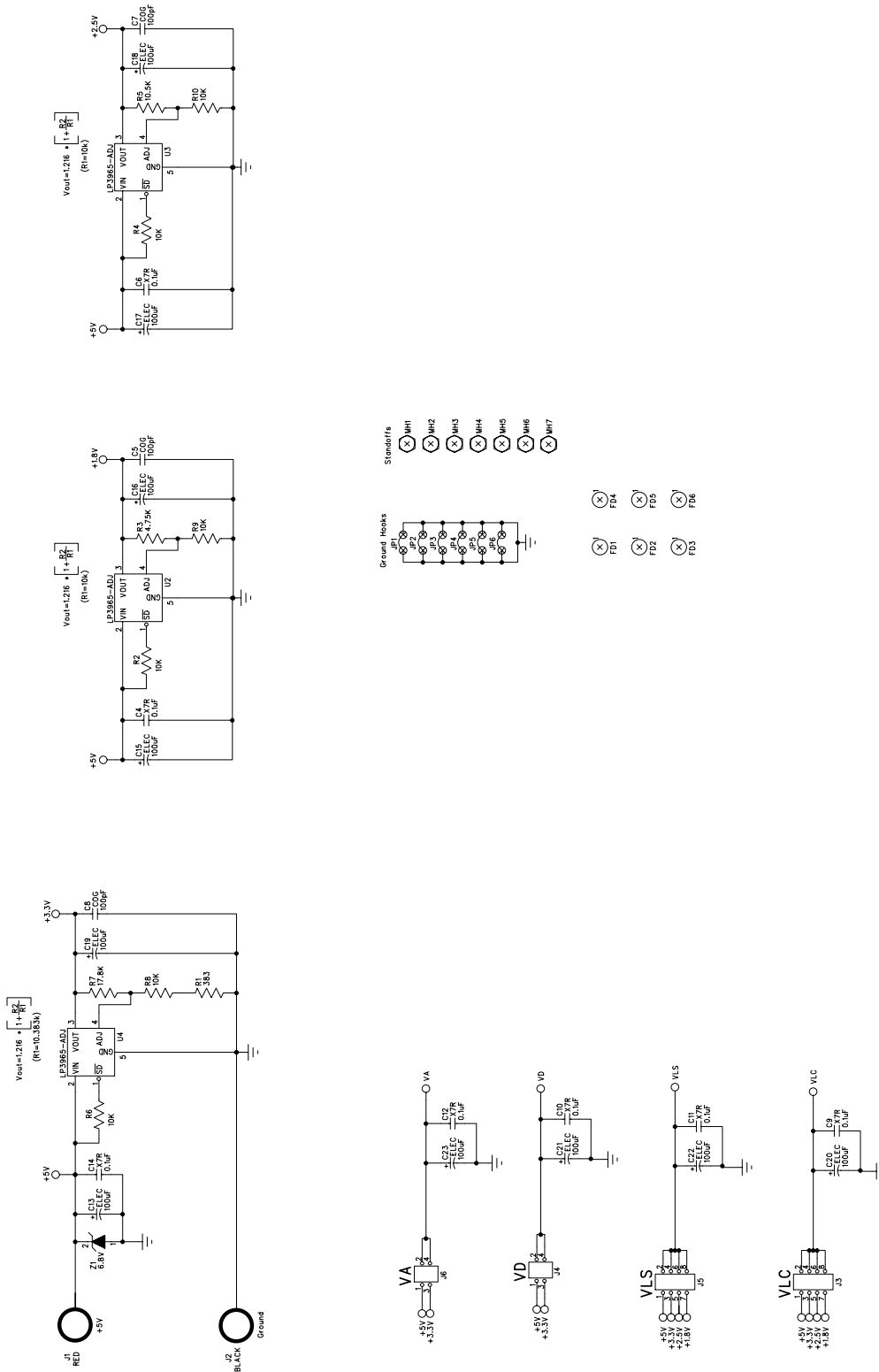


Figure 11. Discrete Clock Routing and Level Shifting


Figure 12. Power

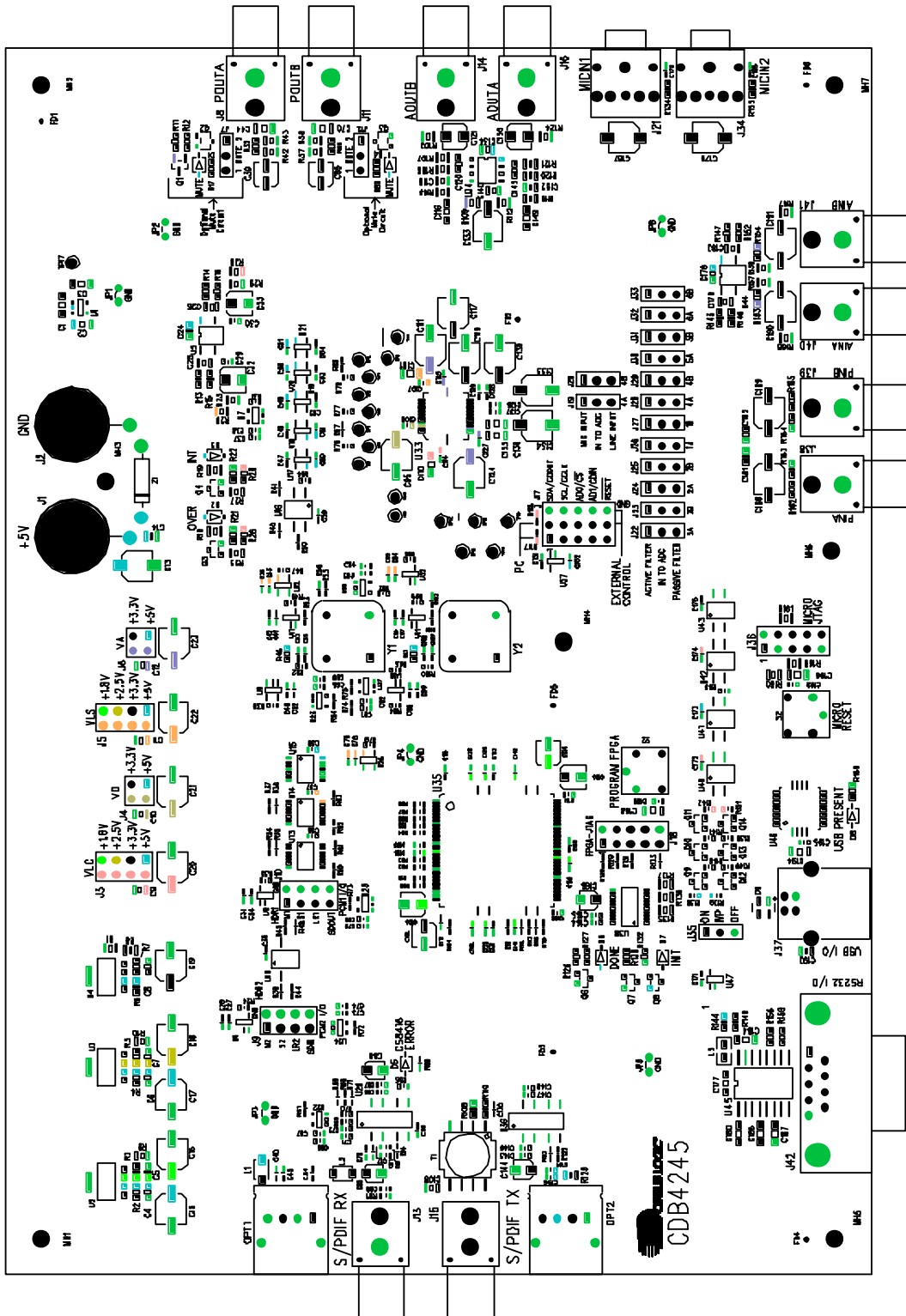
10. CDB LAYOUT


Figure 13. Silk Screen

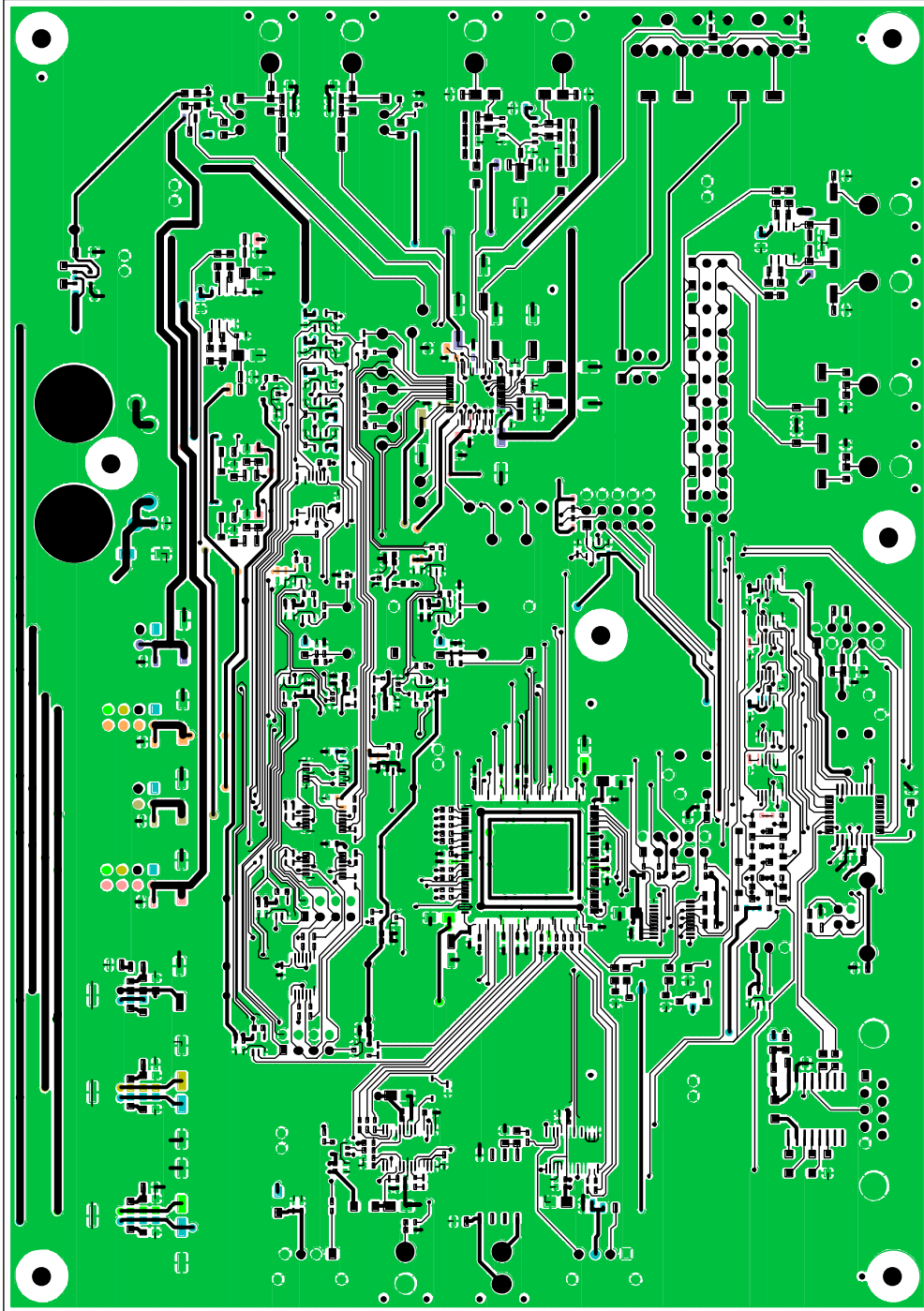


Figure 14. Topside Layer

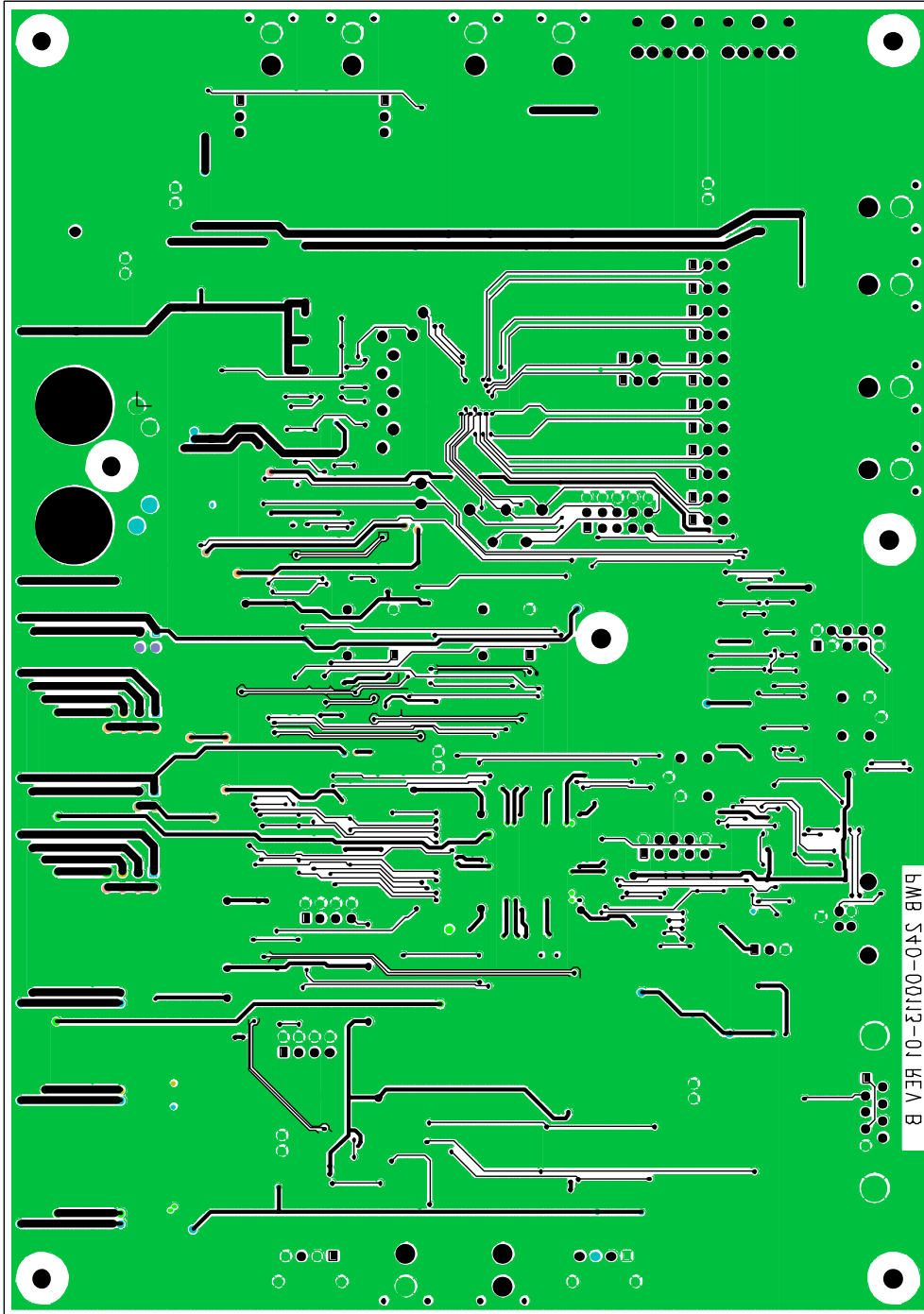


Figure 15. Bottom side Layer

11. REVISION HISTORY

Revision	Date	Changes
DB1	February 2005	Initial Release

Table 9. Revision History

Contacting Cirrus Logic Support

For all product questions and inquiries contact a Cirrus Logic Sales Representative. To find one nearest you go to www.cirrus.com

IMPORTANT NOTICE

Cirrus Logic, Inc. and its subsidiaries ("Cirrus") believe that the information contained in this document is accurate and reliable. However, the information is subject to change without notice and is provided "AS IS" without warranty of any kind (express or implied). Customers are advised to obtain the latest version of relevant information to verify, before placing orders, that information being relied on is current and complete. All products are sold subject to the terms and conditions of sale supplied at the time of order acknowledgment, including those pertaining to warranty, indemnification, and limitation of liability. No responsibility is assumed by Cirrus for the use of this information, including use of this information as the basis for manufacture or sale of any items, or for infringement of patents or other rights of third parties. This document is the property of Cirrus and by furnishing this information, Cirrus grants no license, express or implied under any patents, mask work rights, copyrights, trademarks, trade secrets or other intellectual property rights. Cirrus owns the copyrights associated with the information contained herein and gives consent for copies to be made of the information only for use within your organization with respect to Cirrus integrated circuits or other products of Cirrus. This consent does not extend to other copying such as copying for general distribution, advertising or promotional purposes, or for creating any work for resale.

CERTAIN APPLICATIONS USING SEMICONDUCTOR PRODUCTS MAY INVOLVE POTENTIAL RISKS OF DEATH, PERSONAL INJURY, OR SEVERE PROPERTY OR ENVIRONMENTAL DAMAGE ("CRITICAL APPLICATIONS"). CIRRUS PRODUCTS ARE NOT DESIGNED, AUTHORIZED OR WARRANTED FOR USE IN AIRCRAFT SYSTEMS, MILITARY APPLICATIONS, PRODUCTS SURGICALLY IMPLANTED INTO THE BODY, AUTOMOTIVE SAFETY OR SECURITY DEVICES, LIFE SUPPORT PRODUCTS OR OTHER CRITICAL APPLICATIONS. INCLUSION OF CIRRUS PRODUCTS IN SUCH APPLICATIONS IS UNDERSTOOD TO BE FULLY AT THE CUSTOMER'S RISK AND CIRRUS DISCLAIMS AND MAKES NO WARRANTY, EXPRESS, STATUTORY OR IMPLIED, INCLUDING THE IMPLIED WARRANTIES OF MERCHANTABILITY AND FITNESS FOR PARTICULAR PURPOSE, WITH REGARD TO ANY CIRRUS PRODUCT THAT IS USED IN SUCH A MANNER. IF THE CUSTOMER OR CUSTOMER'S CUSTOMER USES OR PERMITS THE USE OF CIRRUS PRODUCTS IN CRITICAL APPLICATIONS, CUSTOMER AGREES, BY SUCH USE, TO FULLY INDEMNIFY CIRRUS, ITS OFFICERS, DIRECTORS, EMPLOYEES, DISTRIBUTORS AND OTHER AGENTS FROM ANY AND ALL LIABILITY, INCLUDING ATTORNEYS' FEES AND COSTS, THAT MAY RESULT FROM OR ARISE IN CONNECTION WITH THESE USES.

Cirrus Logic, Cirrus, the Cirrus Logic logo designs, and Popguard are trademarks of Cirrus Logic, Inc. All other brand and product names in this document may be trademarks or service marks of their respective owners.

Windows is a registered trademark of Microsoft Corporation.