

PART NAME

NEMA 4X DIE CAST ALUMINUM ENCLOSURE

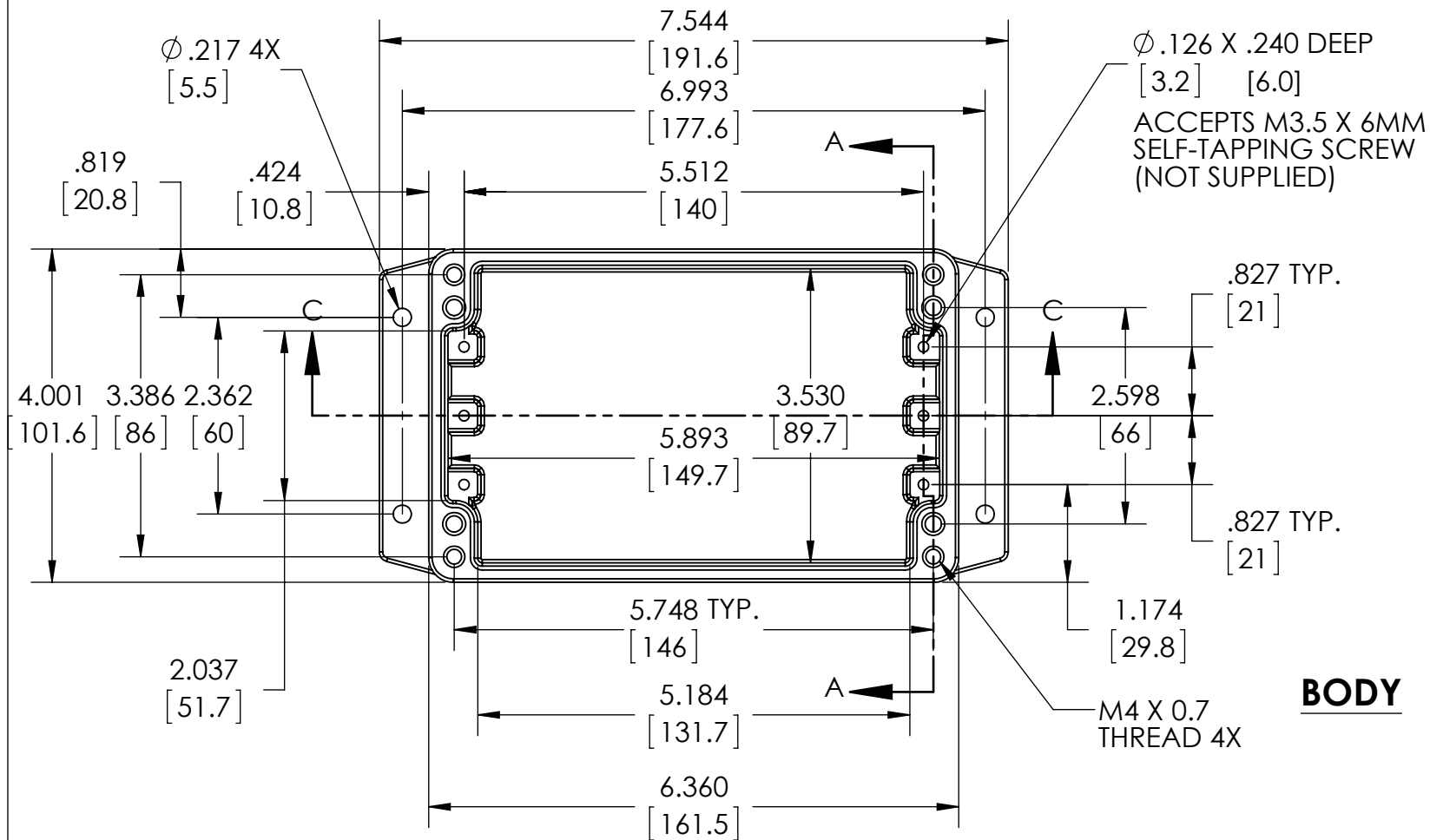
PART No.

AN-2867

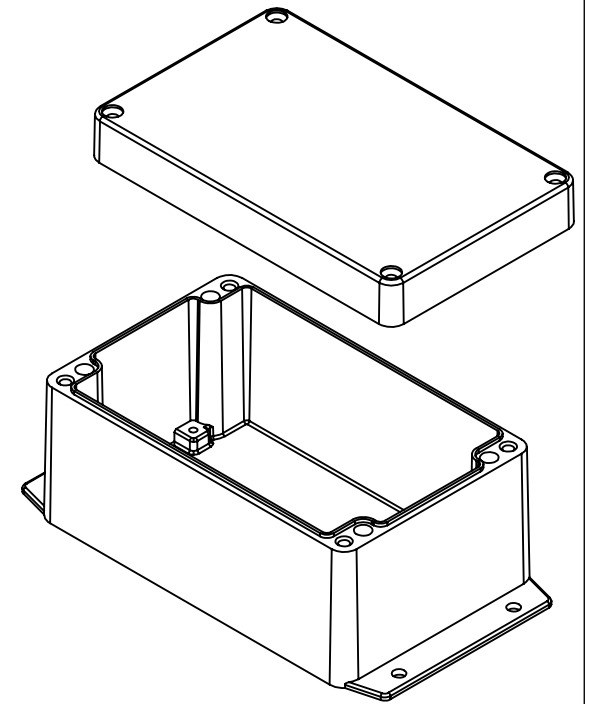
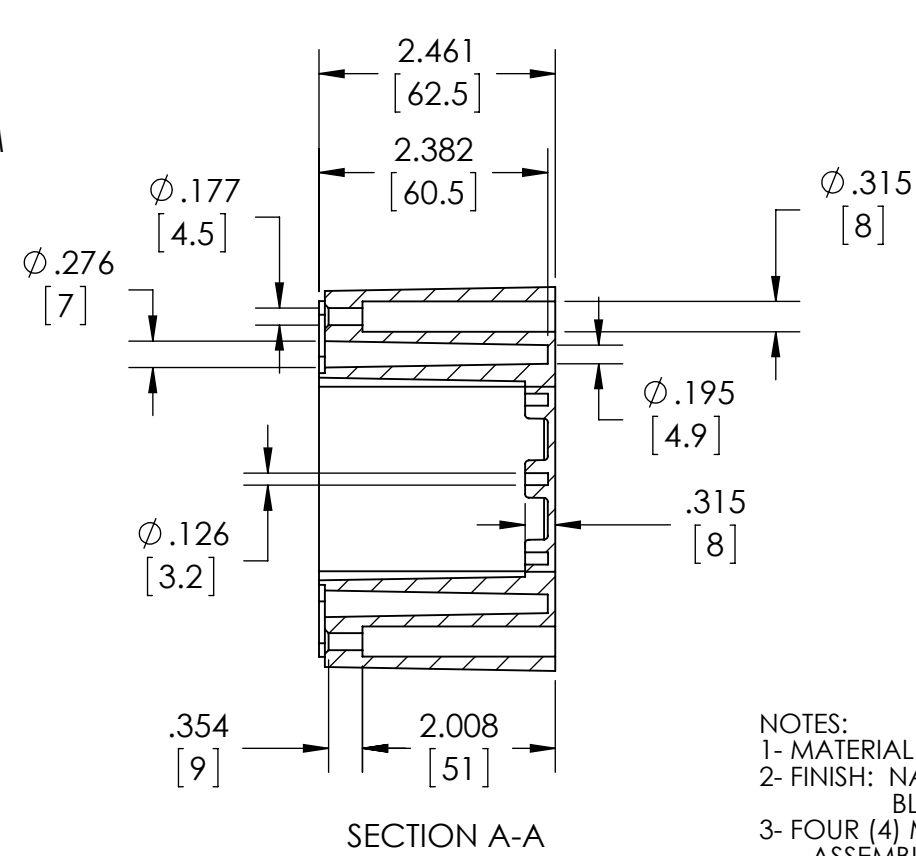
AN-2867-B

REVISION DATE

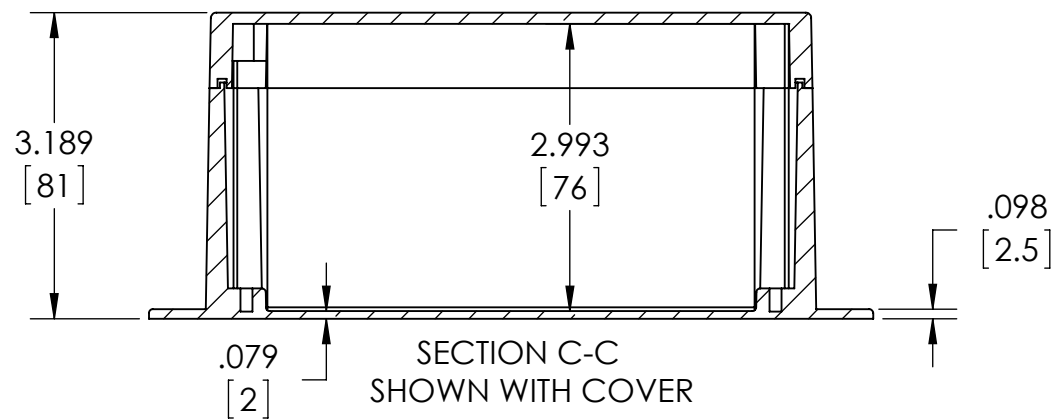
3-19-14



**BODY**



- NOTES:  
 1- MATERIAL: ALUMINUM ALLOY ADC-12  
 2- FINISH: NATURAL (NO SUFFIX) BLACK (SUFFIX -B)  
 3- FOUR (4) M4 X 0.7mm SCREWS SUPPLIED FOR ASSEMBLY OF COVER TO BODY  
 4- ALL HOLE DIAMETERS HAVE  $\pm .005$ [.12] TOLERANCE. ALL OTHER DIMENSIONS HAVE  $\pm .015$ [.38] TOLERANCE.  
 5- ALL OUTSIDE DRAFT ANGLE: 1° ALL INSIDE DRAFT ANGLE: 1/2°  
 6- DIMENSIONS ARE INCH[MM]



**COVER**

