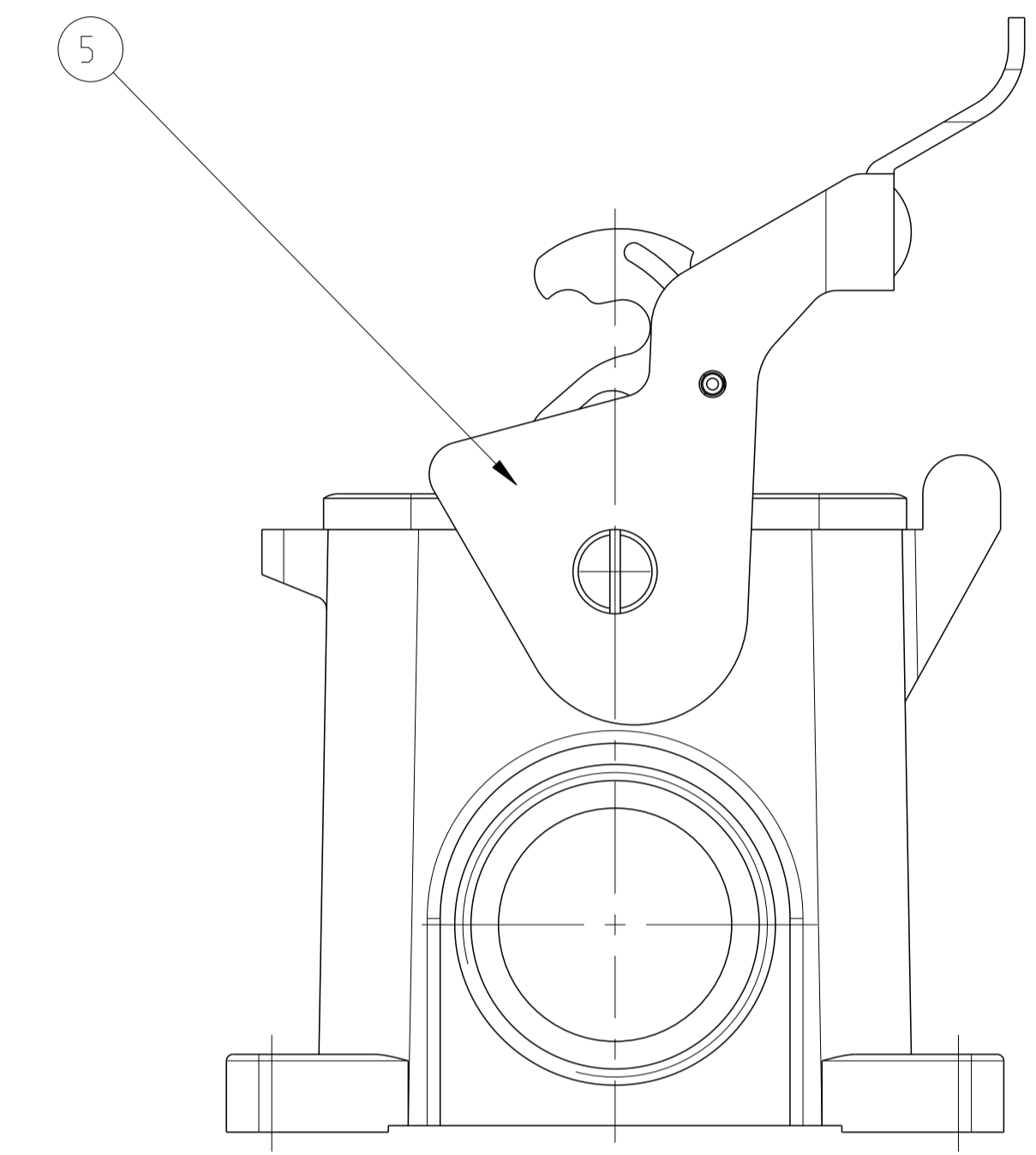
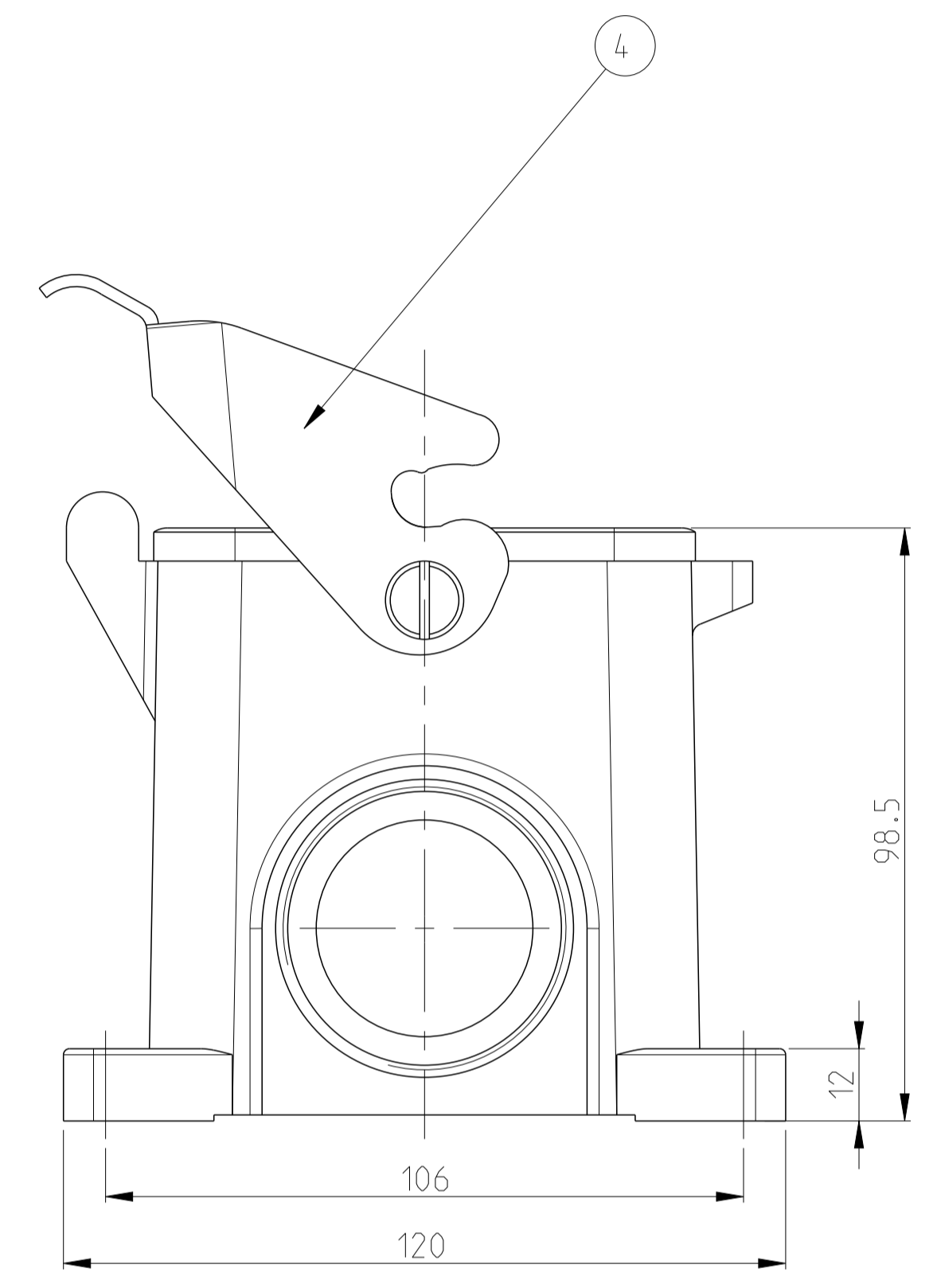
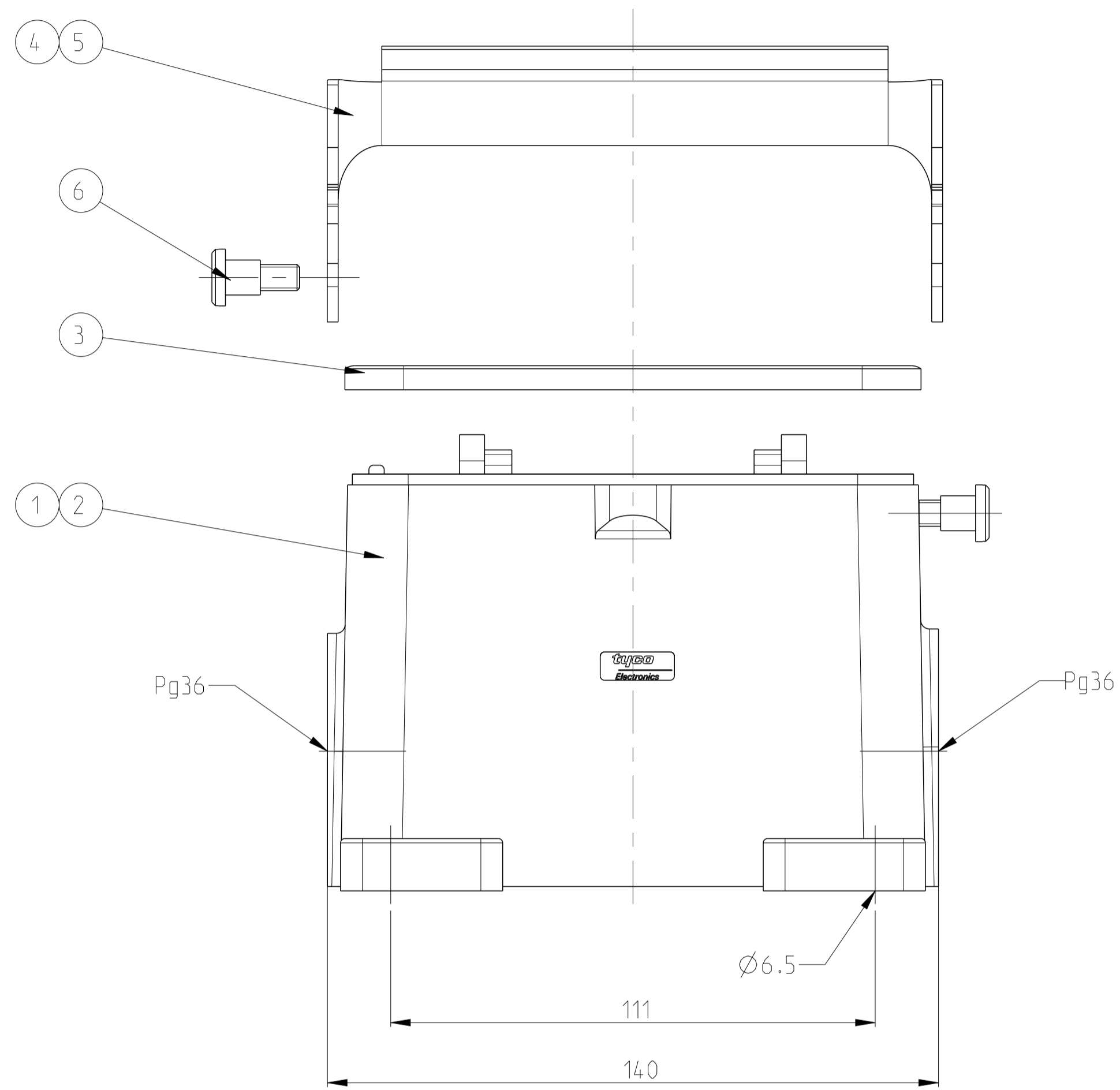


LOC		DIST		REVISIONS			
P	LTN	DESCRIPTION	DATE	DWN	APVD		
A3		new pro/E drawing ECR-08-022186	26JAN2009	SR	AR		
A4		ECR-15-000844	29JAN2015	GSK	MKO		



- NOTES
- 1 PART SHALL BE FREE AND CLEAN OF BURRS AND OTHER FOREIGN MATERIAL
 - 2 PACKAGING: QUANTITY 2 PIECES
 - 3 VARNISHING INSIDE HOUSING NOT REQUIRED

QTY	DESCRIPTION	MATERIAL	SURFACE	COLOR	ITEM	NOTES
2	SCREW SLOTTED PAN HEAD	STAINLESS STEEL	BLANC		6	M6X8
1	SIDE CLIP	STAINLESS STEEL	BLANC		5	
1	SIDE CLIP	STEEL	ZINC PLATED	BLUE	4	
1	PROFIL SEAL	NEOPRENE		BLACK	3	
1	SURFACE MOUNTED HOUSING SIDE ENTRY	ALU	ALUMINIUMOXID	BLACK	2	
1	SURFACE MOUNTED HOUSING SIDE ENTRY	ALU		GREY	1	
2-2	DESCRIPTION	MATERIAL	SURFACE	COLOR	ITEM	NOTES
1-2	HB.48.SG-LB.2.36.Z					
	HB-K.48.SG-LB.2.36.Z					

THIS DRAWING IS A CONTROLLED DOCUMENT. DWN: R. SCHNEIDER 26JAN2009
 CHK: T. SCHNURPFEL 26JAN2009

TE Connectivity

NAME: SURFACE MOUNTED HOUSING SIDE ENTRY
 HB.48.SG-LB.2.36.Z

SIZE: A1 CAGE CODE: 00779 DRAWING NO: 1102397
 RESTRICTED TO: -

MATERIAL: - FINISH: - WEIGHT: - SCALE: 1:1 SHEET 1 OF 1 REV: A4