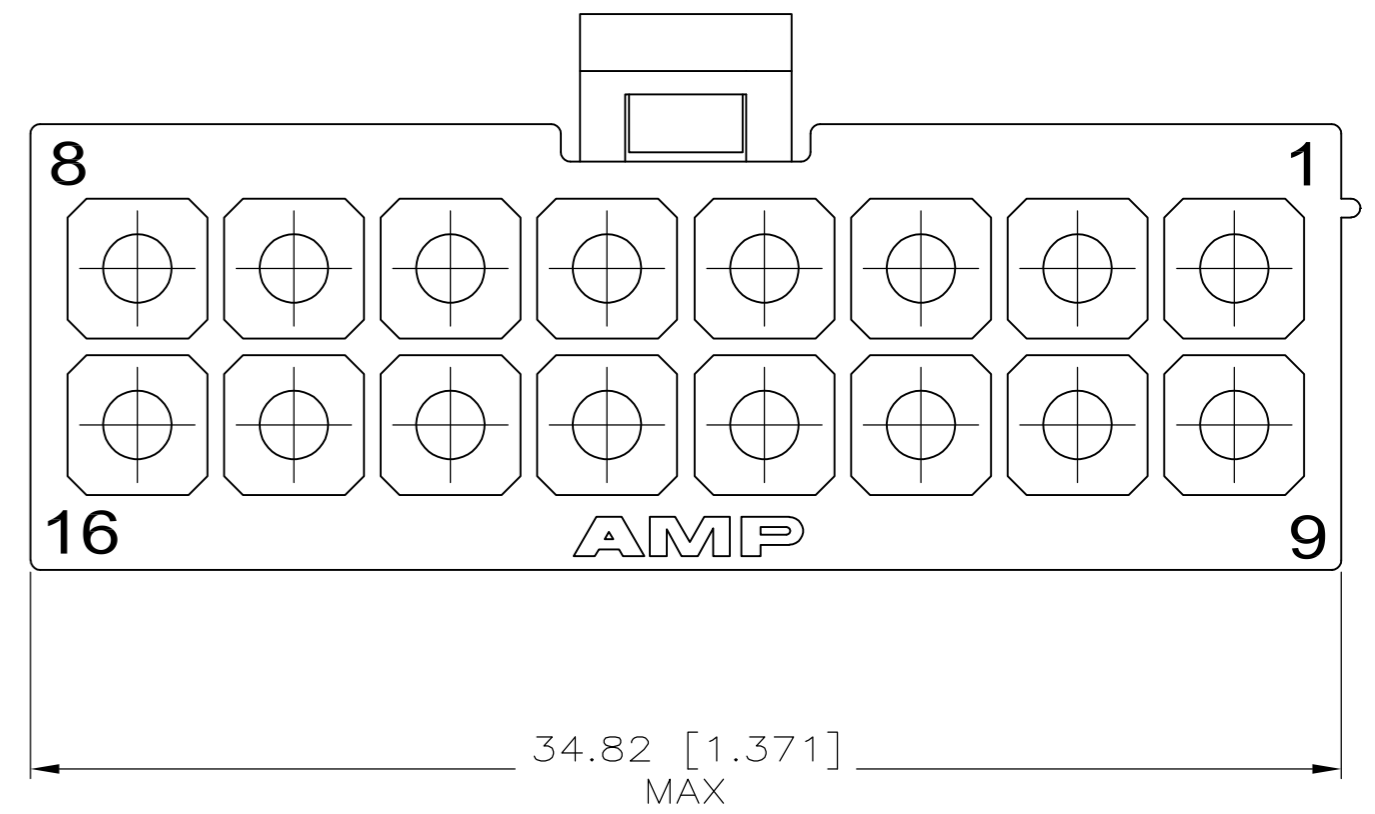
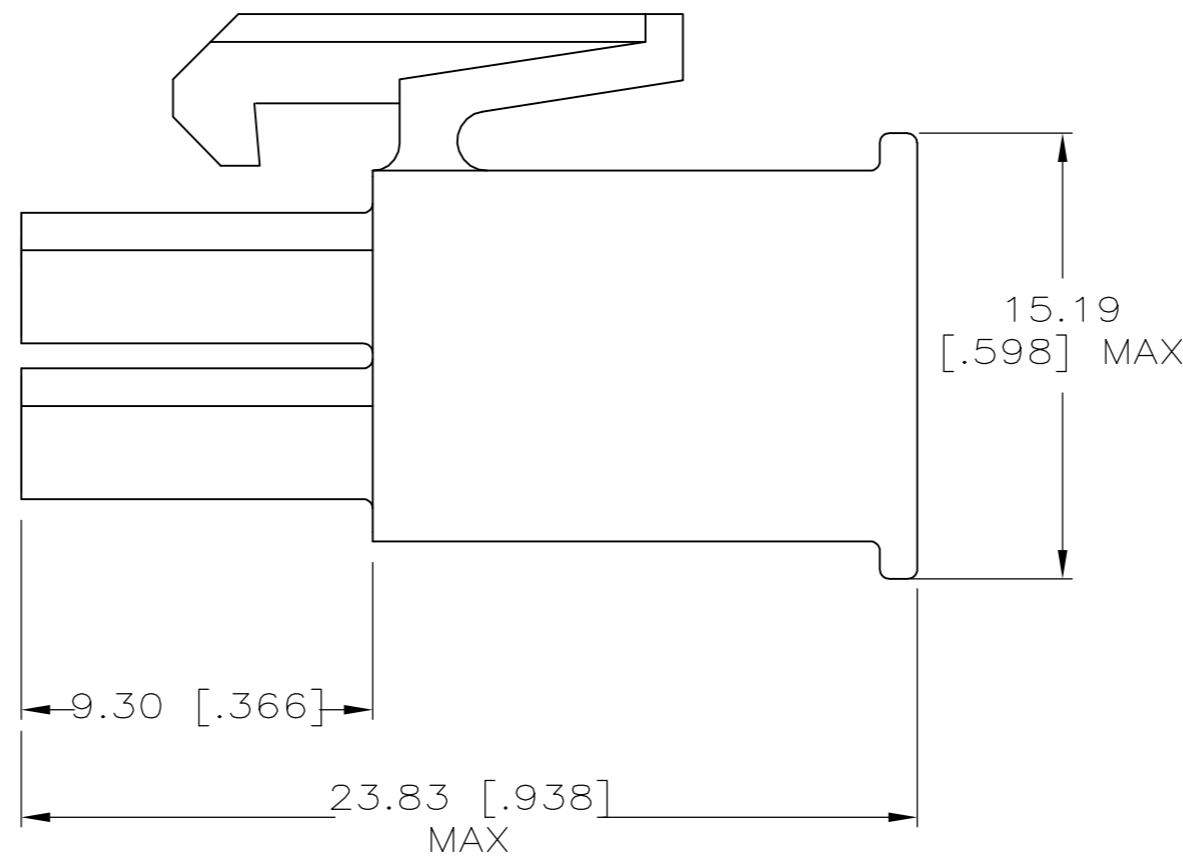
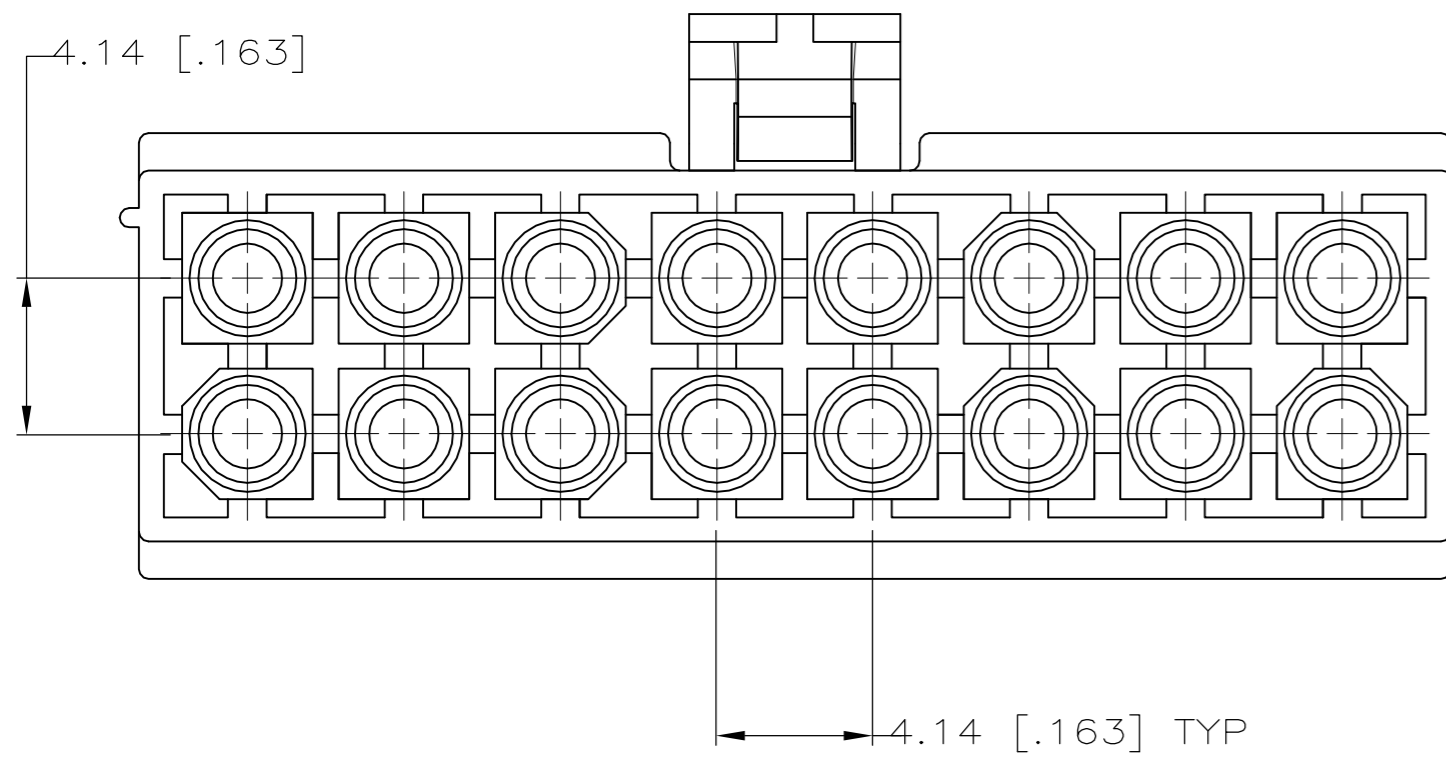


THIS DRAWING IS UNPUBLISHED. RELEASED FOR PUBLICATION
 © COPYRIGHT By - ALL RIGHTS RESERVED.

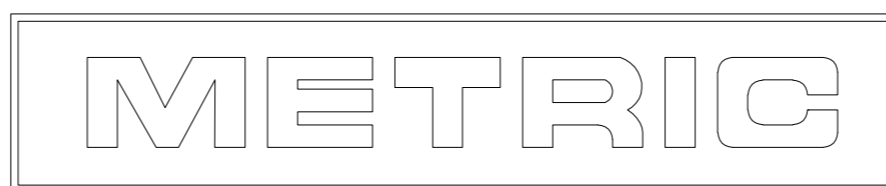
LOC		DIST		REVISIONS			
P	LTR	DESCRIPTION		DATE	DWN	APVD	
CM	00	H1		REVISED PER ECO-11-004917	11MAR11	RK HMR	

1. INDIVIDUAL CORING FEATURES AROUND BASES OF SILOS MAY NOT BE PRESENT IN ALL LOCATIONS SHOWN.



770583

770583-1
PART NUMBER



THIS DRAWING IS A CONTROLLED DOCUMENT.		DWN	S. HOOVER	12-MAY-2004		
DIMENSIONS:		CHK	C. JONES	12-MAY-2004		
mm [INCHES]		APVD	C. JONES	12-MAY-2004		
TOLERANCES UNLESS OTHERWISE SPECIFIED:		PRODUCT SPEC				
0 PLC	±	APPLICATION SPEC			NAME	
1 PLC	±	WEIGHT			PLUG, 16 CIRCUIT, MINI UNIVERSAL MATE-N-LOK™	
2 PLC	±	CUSTOMER DRAWING			SIZE	A2
3 PLC	± 0.13 [.005]	SCALE	5:1		CAGE CODE	00779
4 PLC	±	SHEET	1 OF 1		DRAWING NO	C=770583
ANGLES	±	REV	H1		RESTRICTED TO	
FINISH						