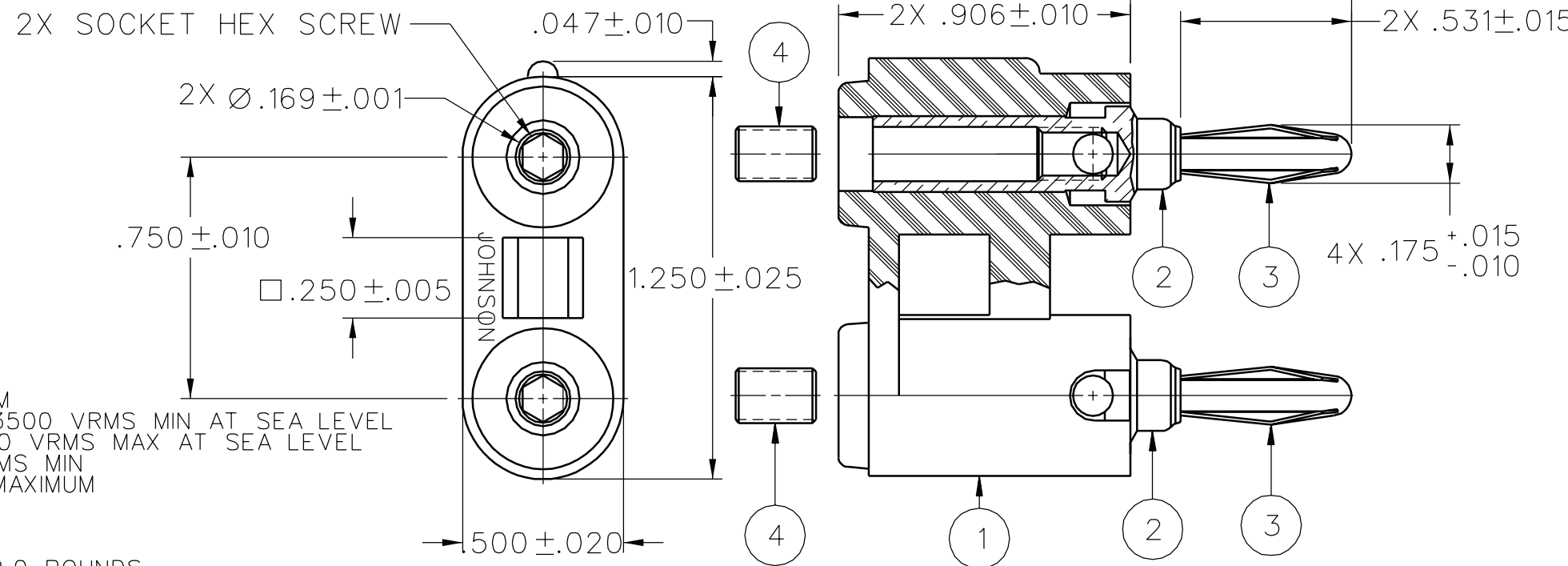


PART NUMBER	ITEM ①		ITEM ② 2X BODY	ITEM ③ 2X CONTACT SPRING	ITEM ④ 2X SET SCREW
	HANDLE	COLOR			
108-0251-001	NYLON	WHITE	BRASS NICKEL PL .0001 MIN	NICKEL SILVER NICKEL PL .0001 MIN	STEEL CADMIUM PL .0001 MIN
108-0252-001		RED			
108-0253-001		BLACK			
108-0254-001		GREEN			
108-0255-001					
108-0256-001		ORANGE			
108-0257-001		YELLOW			
108-0258-001		BROWN			
108-0259-001					
108-0260-001		BLUE			
108-0261-001					
108-0262-001		VIOLET			
108-0263-001		GRAY			
108-0264-001					
108-0265-001					
108-0266-001					
108-0267-001					
108-0268-001					
108-0269-001					
108-0270-001					

DRAWING NO. B-108-0251/0270-001	
0	REVISIONS
ENGINEERING RELEASE ***** * REVISION NUMBER FOLLOWED BY AN ALPHA * * CHARACTER INDICATES DRAWING CLARIFI- * CATION OR PART NUMBER ADDITION ONLY. * *****	
6a	11-18-94
RH	SWC
TAK	RJB
ECN 42926	



NOTES:
1. SPECIFICATIONS:
ELECTRICAL:
CURRENT RATING: 15 AMPS DC MINIMUM
DIELECTRIC WITHSTANDING VOLTAGE: 3500 VRMS MIN AT SEA LEVEL
RECOMMENDED WORKING VOLTAGE: 1750 VRMS MAX AT SEA LEVEL
INSULATION RESISTANCE: 5000 MEGOHMS MIN
CONTACT RESISTANCE: 10 MILLIOHMS MAXIMUM
MECHANICAL:
INSERTION/WITHDRAWL FORCE: 1.0 - 12.0 POUNDS
CONTACT SPRING RETENTION FORCE: 25 POUNDS MINIMUM
WIRE ACCEPTABILITY: 16 AWG OR SMALLER
WIRE ATTACHMENT: CLAMP USING SET SCREW
MATING BANANA JACK DIAMETER: .166 NOMINAL
DURABILITY: 1000 CYCLES MINIMUM
ENVIRONMENTAL:
(MEETS OR EXCEEDS THE APPLICABLE PARAGRAPH OF MIL-C-28901)
OPERATING TEMPERATURE: -55 DEG C TO 85 DEG C.
TEMPERATURE RISE AT RATED CURRENT: 10 DEG C MAXIMUM
CORROSION: MIL-STD-1344, METHOD 1001, CONDITION B
SHOCK: MIL-STD-1344, METHOD 2004, CONDITION G
VIBRATION: MIL-STD-1344, METHOD 2005, CONDITION I
HUMIDITY: MIL-STD-1344, METHOD 1002, CONDITION B


CUSTOMER DRAWING

THIS DRAWING TO BE INTERPRETED
PER ASME Y 14.5M - 1994

"μSTATION"

COMPANY CONFIDENTIAL

TOLERANCE UNLESS OTHERWISE SPECIFIED		DRAWN BY	DATE
DECIMALS	mm	SWC	4-18-94
.XX	_____	CHECKED BY	DATE
.XXX	_____	TAK	11-21-94
MATL	_____	APPROVED BY	DATE
FINISH	_____	RJB	12-22-94
		RELEASE DATE	12-22-94
U/M	INCH	SCALE	2:1

		Cinch Connectivity Solutions P.O. Box 1732 Waseca, MN 56093 1-800-247-8256	
TITLE ASSEMBLY, BANANA PLUG DUAL STACKING, ROUND BODY INSULATED, SOLDERLESS TYPE			
SHEET	DRAWING NO.		
2 OF 2	B-108-0251/0270-001		