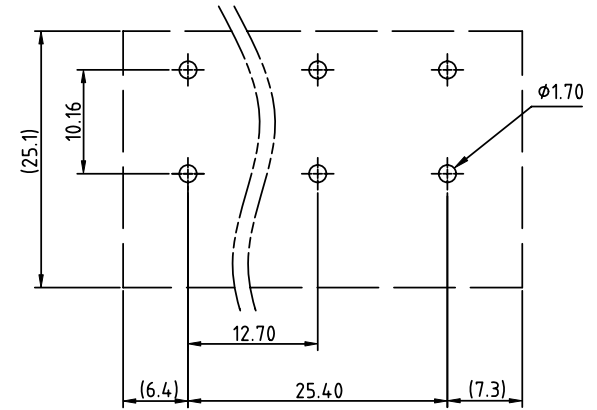
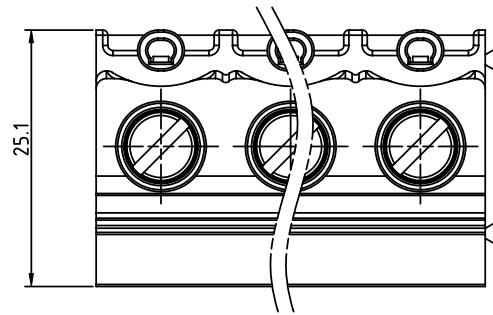
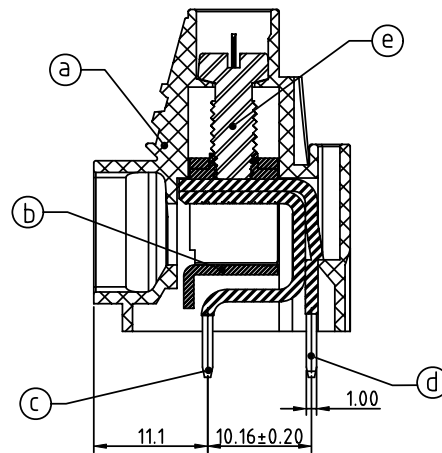
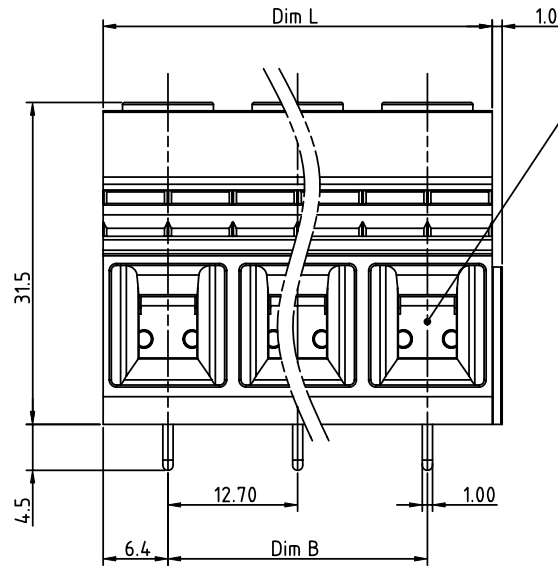


PRODUCT NUMBER	PITCH
VPxx85x4.00J0G	12.70mm



RECOMMENDED P.C.B LAYOUT
TOP VIEW



Material:

- Item a Terminal housing :Thermoplastic (UL 94V-0)
- Item b Clamp : Steel stamping , Zinc plated
- Item c Solder pin1 : Copper ,Tin plated
- Item d Solder pin2 : Copper ,Tin plated
- Item e Terminal screw: Steel Zinc plating"-slot type

- Electrical cULs/IEC
- Voltage rating : 600V / 1000V
 - Current rating : 65A / 76A
 - Wire range :
 - Solid wire (AWG) : 6-20 / 16.00mm²
 - Stranded wire (AWG) : 6-20 / 16.00mm²
 - Torque : 19Lb-In / 1.2N.m
 - Screw : M4.5
 - Wire strip length : 10-11mm
 - Withstanding voltage : 2.2KV 6KV
 - Operating temperature : -40°C+115°C
 - Soldering temperature : 260°C+5°C/5 Sec
 - Safety Approval : US

PART NO.: VP xx 8 5 x 4 00J0 G

N = Number of poles

Dim L=Nx12.70	
Dim B=(N-1)x12.70	
POLES	Tolerance
2P-5P	±0.20
6P-9P	±0.30
10P-12P	±0.40

End Stackable	0	Black (RAL9005)	RoHS compliant (lead<4%)
No. of poles	2	Red (RAL3001/D)	In copper Alloy
	3	Orange(RAL2011/P)	
	4	Yellow(RAL1018/A)	
	5	Green(RAL6018/T)	
	6	Blue (RAL5015/A)	
	8	Grey(RAL7035/D)	
	9	White(RAL1102)	
	12	Green(RAL6018/U)	

mat'l. code				surface ASME Y14.5	tolerance ASME Y14.5	projection 	product family TERMINAL BLOCK
ltr	ecn	no	dr	tolerances unless otherwise specified		MM	title TERMINAL BLOCK RISING CLAMP,SINGLE TAIL TYPE
				angles	X.±0.5		
				fil	X.X±0.3	scale	dwg no VPxx85x4.00J0G
				X*±1"	X.XX±0.1		
				dr	EVIN ZHONG 041414		size A4
				enr	EVIN ZHONG 041414		
				chr	HANKE FENG 041414		
				appd	SHI JUN 041414		
sheet index	revision sheet	A	1				type CUSTOMER Drawing