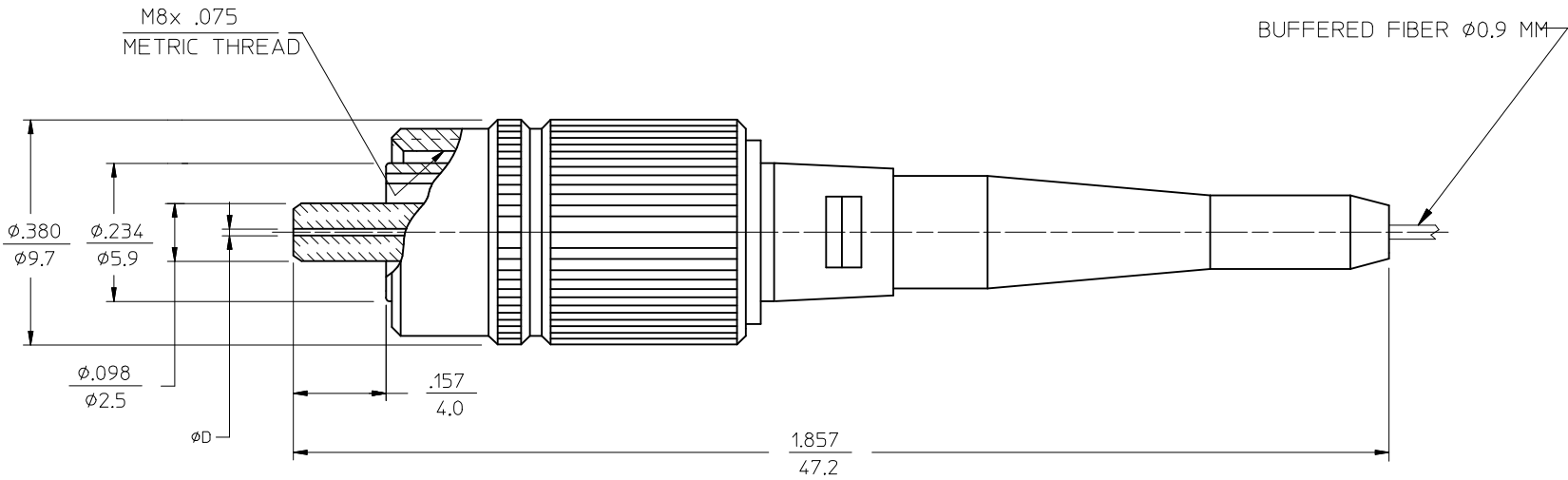


FCII CONNECTOR P/N	øD (µm)	BOOT COLOR	CABLE TYPE
106053-0500	127	BLACK	MULTIMODE
106053-2500	125.5	YELLOW	SINGLE MODE
106053-3500	128	BLACK	MULTIMODE
106053-4500	125	YELLOW	SINGLE MODE
106053-5500	126		
106053-5520*			
106053-7500	127		



NOTES:

1. DUST CAP IS NOT SHOWN.

*2. P/N 106053-5520 IS BULK PACKED IN QUANTITIES OF 100 PCS.

ENTER DESCRIPTION EC NO: MF2017-0132 DRAWN: MANUAPPARE 2016/11/04 CHKD: APPR: LGUMIN 2016/11/16 REV:	QUALITY SYMBOLS	GENERAL TOLERANCES (UNLESS SPECIFIED)	DIMENSION STYLE	SCALE	DESIGN UNITS	THIRD ANGLE PROJECTION
	▼=0	mm INCH	IN/MM	4:1	INCH	
	▽=0	4 PLACES ± --- ± ---	DRAWN BY DATE	TITLE	FC CONNECTOR (BARE FIBER)	
		3 PLACES ± --- ± ---	RPACIFICI 2005/12/22	CHECKED BY DATE	molex	
	2 PLACES ± --- ± ---	APPROVED BY DATE	MATERIAL NO.	DOCUMENT NO.	SHEET NO.	
	1 PLACE ± --- ± ---		SEE TABLE	SD-106053-X5X0	1 OF 1	
	0 PLACE ± ±	ANGULAR ±1/2°	THIS DRAWING CONTAINS INFORMATION THAT IS PROPRIETARY TO MOLEX INCORPORATED AND SHOULD NOT BE USED WITHOUT WRITTEN PERMISSION			
		DRAFT WHERE APPLICABLE MUST REMAIN WITHIN DIMENSIONS	SIZE B			