
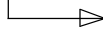
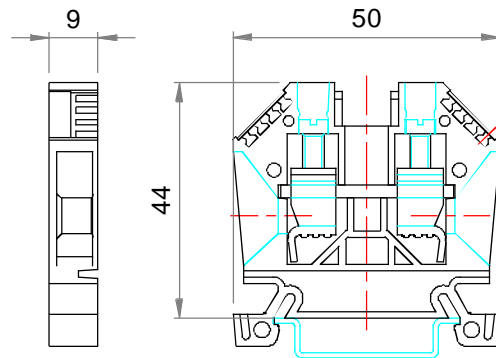


Part number description :

10134254-XXXLF

-  LF: Lead Free, RoHs compliant, see note
 XXX : Color ref or/and version



Note : THIS PRODUCT MEETS EUROPEAN UNION DIRECTIVES AND OTHER COUNTRY REGULATIONS AS PER GS-47-0004

PN	Colour	Version
10134254-001LF	grey	
10134254-002LF	blue	
10134254-003LF	yellow-green	
10134254-004LF	yellow	
10134254-005LF	orange	
10134254-006LF	red	

TECHNICAL DATA / DIMENSIONS

Dimensions	
Width mm	9.0
Length mm	50.0
Height mm	44.0
Mounting type (EN 60715)	Omega TH35
Technical data	
Maximum load current	65A
Insulating material	PA
Self-extinguishing degree acc. to UL94	V2
Rated surge voltage	8kV
Pollution degree	3
Surge voltage category	III
Insulating material group	I
Nominal Voltage	1000V
Nominal Current	57A
Connection data	
Conductor cross-section solid min/max	1.50 / 16 mm ²
Conductor cross-section stranded min/max	1.50 / 10 mm ²
AWG min/max	20-6AWG
Max conductor cross-section stranded with ferrule with plastic sleeve	10 mm ² / L=18 mm
Stripping length	max 12 mm
Screw	M4
Tightening torque	1,2Nm / 20 Lb-In

ACCESSORIES

Item	Description
Marking	
10134398-001LF	Blank single-digit marking tags
10134398-002LF± 10134398-011LF	Printed single-digit marking tags numbered : 1÷0
10134398-012LF± 10134398-041LF	Printed single-digit marking tags with letter: A÷Z
10134399-001LF	Marking tag adapter
10134400-001LF	Blank Marking tags
10134401-001LF	Blank Marking tags

DIN RAIL system - Mounting and Installation material

10134392-001LF	Steel Omega Rail TH35x7,5mm -2mt length
10134393-001LF	Slotted Steel Omega Rail TH35x7,5mm -2mt length
10134394-001LF	Steel Omega Rail TH35x15mm -2mt length
10134395-001LF	Slotted Steel Omega Rail TH35x15mm -2mt length
10134387-001LF	Angled support bracket
10134389-001LF	End Bracket for TH35 Omega rail -Width 9mm
10134390-001LF	End Bracket for TH35 Omega rail -Width 6mm
10134391-001LF	Fast-snap End Bracket for TH35 Omega rail

Additional items

10134260-001LF	End Plate for SCREW Terminal Blocks 6/10
10134264-001LF	Separator for SCREW Terminal Blocks 6/10
10134268-001LF	Cover for SCREW Terminal Blocks 6/10
10134265-001LF	Screw Jumper bar for SCREW Terminal Block 10
10134276-001LF	Red test plug adapter
10134276-002LF	Black test plug adapter

APPROVALS

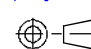
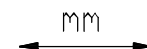



AWG 20-6 - 600V - 65A



RINA

EN60947-7-1 10mm² - 1000V - 57A

spec ref	dir	Aymeric Soudy	11-06-2015	projection	size	A3	scale	1:1
tolerance std	eng	Aymeric Soudy	11-06-2015			ecn no	rel level	rev
ISO 406 ISO 1101	chr							
surface	appr	Aymeric Soudy	11-06-2015	product family	DIN Terminal Block			dwg no
ISO 1302				SCREW Terminal block 10			10134254	A
linear	0.X	± 0.3		cat. no.	Product customer drawing			sheet 1 of 1
0.XX	± 0.1							
0.XXX	± 0.05							
angular	0°	± 2°						