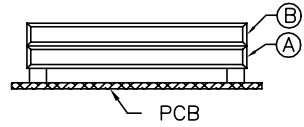
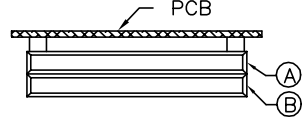


DESCRIPTION: ABOVE AND BELOW P.C.B., DECK IS AS VIEWED BY USER.

PRODUCT NO. 84655-XXX	STAND-OFF HEIGHT	(A) CLOSEST TO P.C.B. HEADER ASSY 88640-XXX	(B) FARTHEST FROM P.C.B. HEADER ASSY 88640-XXX	(C) MATING RECEPTACLE	MOUNTING STYLE TO PCB
022	2.2	022	025	69 POSITION RECEPTACLE PART NO. 91931-31169 91931-31169LF  ORDER SEPARATELY	
043	4.3	043	045		
050	5.0	050	055		
022LF	2.2	022LF	025LF		
043LF	4.3	043LF	045LF		
050LF	5.0	050LF	055LF		
522	2.2	122	125		
543	4.3	143	145		
550	5.0	150	155		
522LF	2.2	122LF	125LF		
543LF	4.3	143LF	145LF		
550LF	5.0	150LF	155LF		

NOTES:

1. MATERIAL:

1.1 HEADER ASSY:  
PLASTIC HOUSING: HIGH TEMPERATURE THERMOPLASTIC UL94V-0 BLACK - ABOVE PCB AND NATURAL - BELOW PCB.

PIN: PHOSPHOR BRONZE  
PCB: FR4

1.2 NON-EJECT MECHANISM ASSY:  
PLASTIC GUIDE: HIGH TEMPERATURE THERMOPLASTIC UL94V-0 BLACK  
COVER PLATE: STAINLESS STEEL  
EMI CONTACT: PHOSPHOR BRONZE

1.3 MATING RECEPTACLE (91931-31169)  
PLASTIC: HIGH TEMPERATURE THERMOPLASTIC UL94V-0 BLACK  
CONTACT: BeCu

- 4. RECOMMENDED HOLD DOWN: 2mm SCREWS 95121 AND 2mm NUTS 92869.  
RECOMMENDED SCREW TORQUE: 1.0 TO 1.5 MAX in-lbs. (1.2-1.7 cm-kgs).
- 5. SEE 88640 FOR SINGLE DECK APPLICATIONS
- 6. IF LEAD FREE P/N.THE HOUSING WILL WITHSTAND EXPOSURE TO 260°C PEAK TEMPERATURE FOR 10 SECONDS IN A WAVE SOLDER APPLICATION WITH A 1.00MM MINIMUM THICK CIRCUIT BOARD.
- 7. IF LEAD FREE P/N.THE PRODUCT MEETS EUROPEAN UNION DIRECTIVES AND OTHER COUNTRY REGULATIONS AS DESCRIBED IN GS-22-008
- 8. LEAD FREE P/N PACKAGING MEETS GS-14-920 SPECIFICATION
- 9. PRODUCT SPEC:110-263


2. FINISH (PIN)

UNDER PLATING: 0.5µm Ni  
CONTACT AREA: 0.076 µm MIN. GOLD

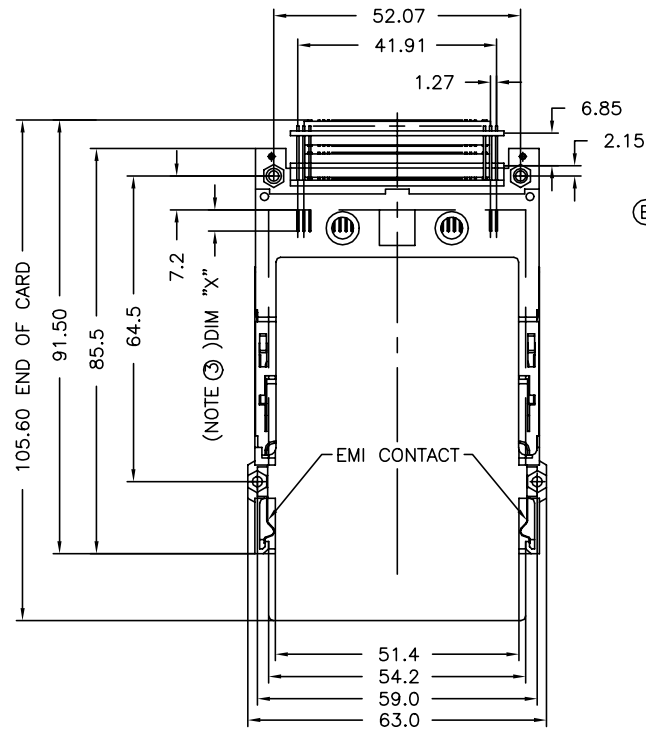
SOLDER TAIL: 2.5µm Sn-Pb  
: 2.5µm PURE Sn ( FOR-\*\*\*LF )

3. DIM "X"

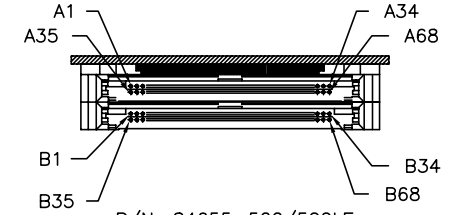
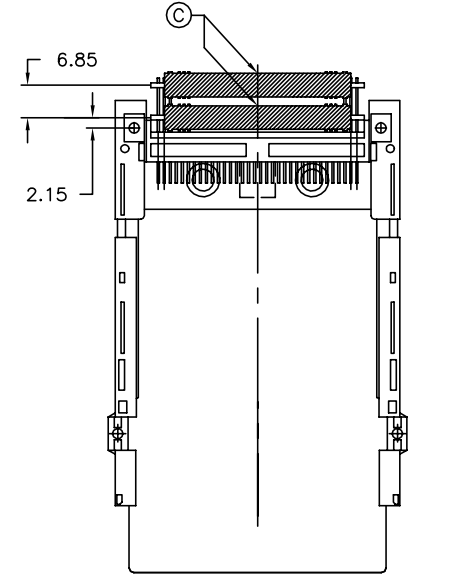
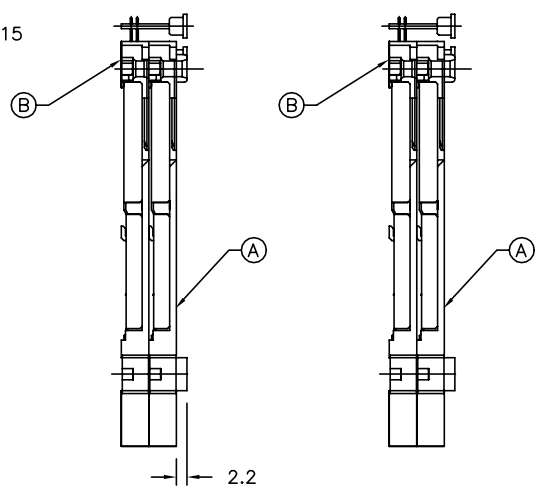
4.25±0.1	3.5±0.1	5.0±0.1
OTHERS	36,67	1,17,34,35,51,68

mat'l. code		surface <input checked="" type="checkbox"/> ISO1302		tolerance <input checked="" type="checkbox"/> ISO1101 <input checked="" type="checkbox"/> ISO406		projection 		product family	
l tr ecn nodr		date		tolerances unless otherwise specified		MM		MCS	
B	T00218	RGD	7/17/00	angle	0.X±0.3	scale 1:1		DOUBLE DECK	
C	N05-0192	WB	07/05/05	0°±2'	0.XX±0.13			ASSY. SMT TYPE 123	
D	BLX-N-011424	ZK	04/02/12		0.XXX±0.051			FCI	
				dr	G.CLEMENS	1/13/99		dwg no	
				enr	D.BRANN	1/13/99		sheet 1 of 6	
				chr	D.BRANN	1/13/99		size	
				appd	D.BRANN	1/13/99		A4	
sheet index		revision	D	D	D	D	D	type Product Customer Drawing	
		sheet	1	2	3	4	5		

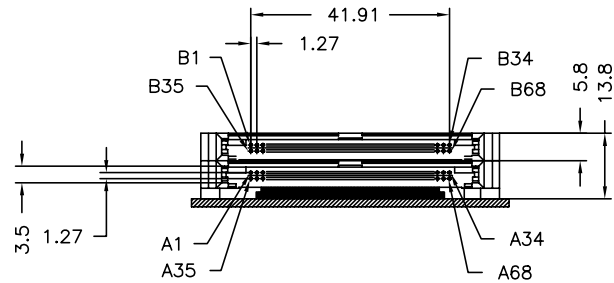
PRODUCT NUMBER
84655-***/**LF



MATING RECEPTACLE SHOWN FOR APPLICATION CLARITY ONLY. MUST BE ORDERED SEPARATELY.



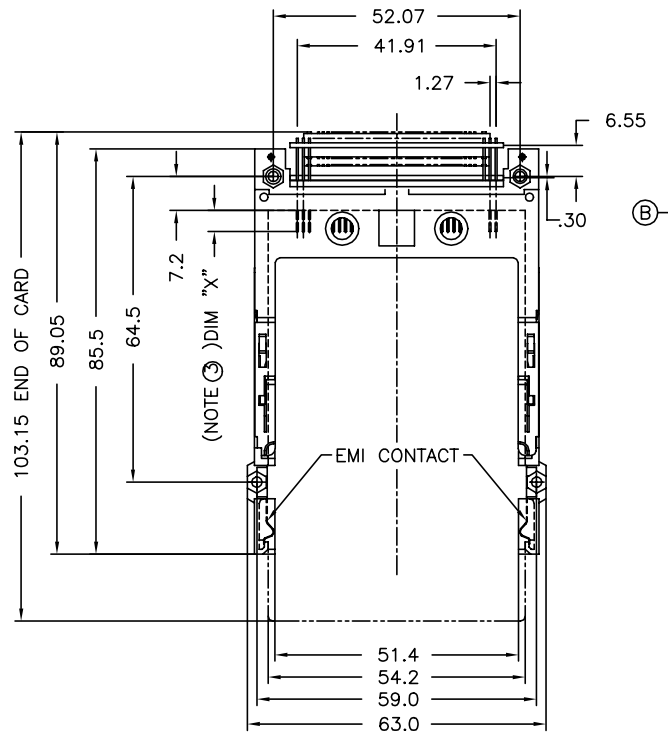
P/N: 84655-522/522LF  
BELOW P.C.B.  
PCB LAYOUT 3 (SH.6)



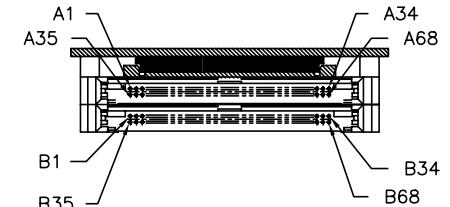
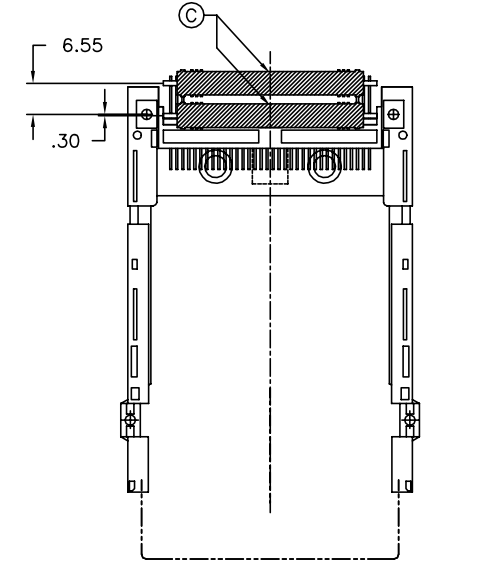
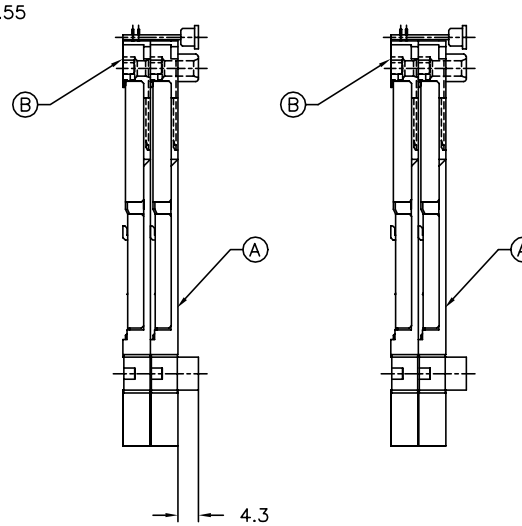
P/N: 84655-022/022LF  
ABOVE P.C.B.  
PCB LAYOUT 1 (SH.5)

mat'l. code	surface ISO1302	tolerance ISO1101 ISO406	projection MM	product family MCS
trnec nodr date	tolerances unless otherwise specified		scale 1:1	title DOUBLE DECK ASSY. SMT TYPE 123
D	angle 0°±2'	0.X±0.3 0.XX±0.13 0.XXX±0.051	MM	dwg no 84655
	dr G.CLEMENS	1/13/99		sheet 2 of 6
	enr D.BRANN	1/13/99		size A4
	chr D.BRANN	1/13/99		type Product Customer Drawing
	appd D.BRANN	1/13/99		
sheet index	revision sheet			

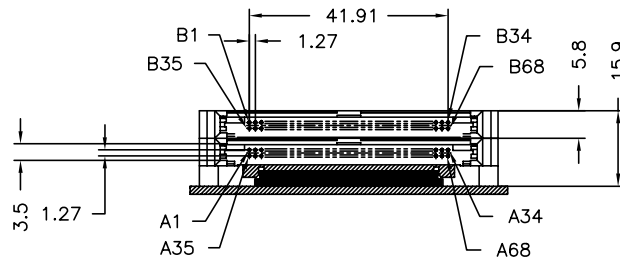
PRODUCT NUMBER
84655-***/**LF



MATING RECEPTACLE SHOWN FOR APPLICATION CLARITY ONLY. MUST BE ORDERED SEPARATELY



P/N: 84655-543/543LF  
BELOW P.C.B.  
PCB LAYOUT 4 (SH.6)

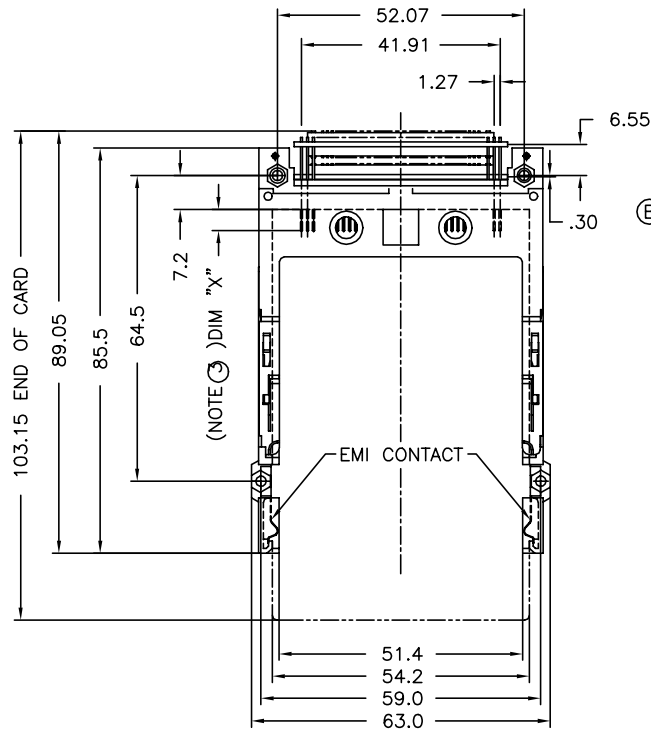


P/N: 84655-043/043LF  
ABOVE P.C.B.  
PCB LAYOUT 2 (SH.5)

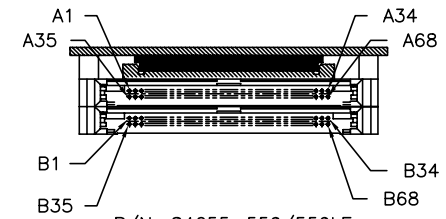
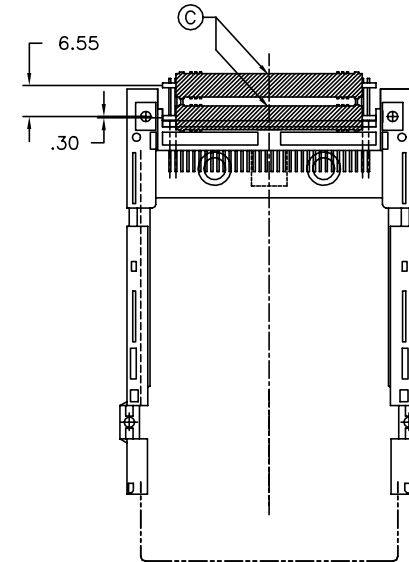
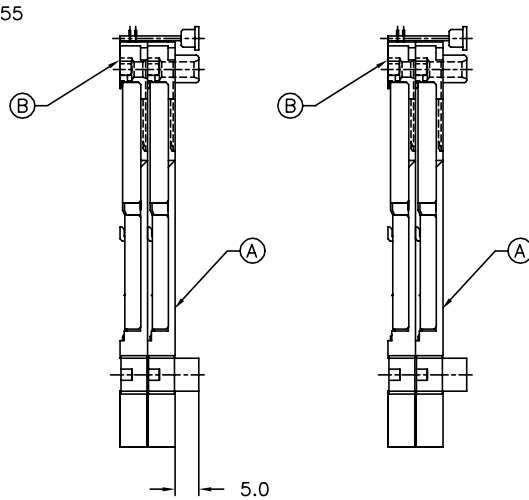
mat'l. code	surface ISO1302	tolerance ISO1101 ISO406	projection 	product family MCS
l t r e c n n o d r	date	tolerances unless otherwise specified	MM	DOUBLE DECK ASSY. SMT TYPE 123
D		angle 0°±2'	scale 1:1	dwg no 84655
		dr G.CLEMENS 1/13/99		sheet 3 of 6
		enr D.BRANN 1/13/99		size A4
		chr D.BRANN 1/13/99		type Product Customer Drawing
		appd D.BRANN 1/13/99		
sheet index	revision sheet			



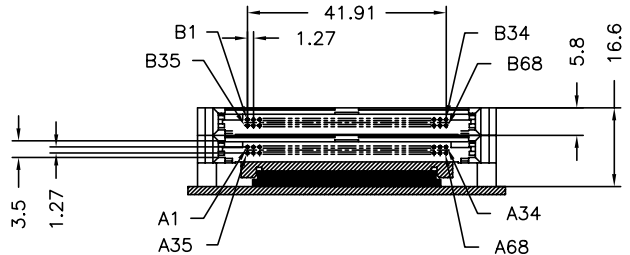
PRODUCT NUMBER
84655-***/**LF



MATING RECEPTACLE SHOWN FOR APPLICATION CLARITY ONLY. MUST BE ORDERED SEPARATELY.



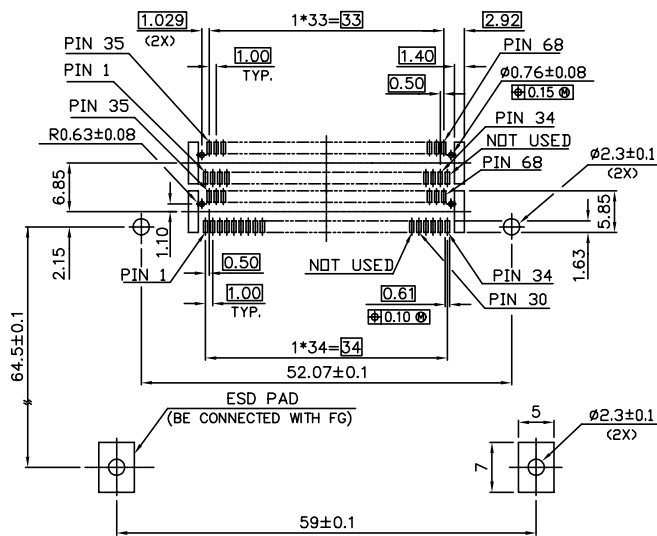
P/N: 84655-550/550LF  
BELOW P.C.B.  
PCB LAYOUT 4 (SH.6)



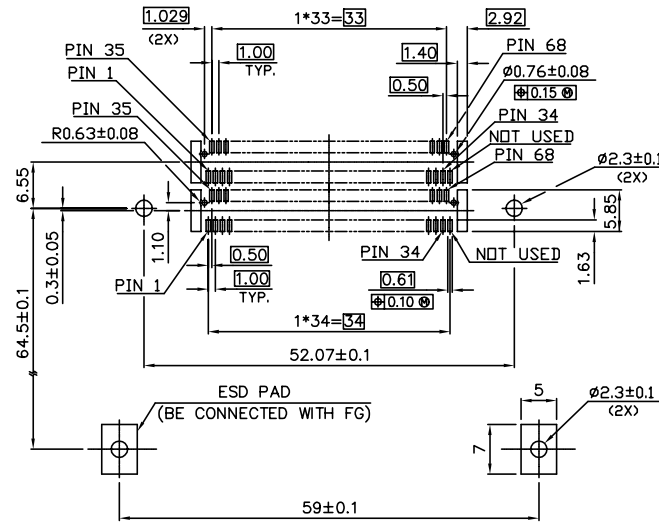
P/N: 84655-050/050LF  
ABOVE P.C.B.  
PCB LAYOUT 2 (SH.5)

mat'l. code	surface ISO1302	tolerance ISO1101 ISO406	projection 	product family MCS
ltr ecn nodr date	tolerances unless otherwise specified		MM	title DOUBLE DECK ASSY. SMT TYPE 123
D	angle 0°±2'	0.X±0.3 0.XX±0.13 0.XXX±0.051	scale 1:1	dwg no 84655
dr	G.CLEMENS	1/13/99		sheet 4 of 6
enr	D.BRANN	1/13/99		size A4
chr	D.BRANN	1/13/99		type Product Customer Drawing
appd	D.BRANN	1/13/99		
sheet index	revision sheet			

PRODUCT NUMBER
84655-***/**/LF



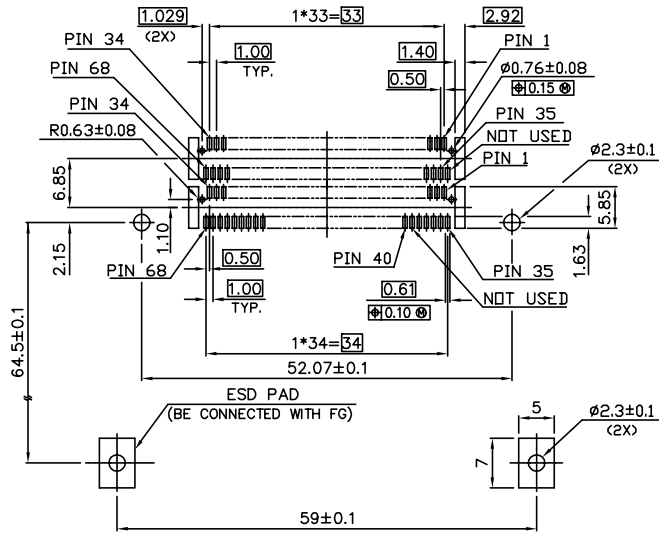
RECOMMENDED P.C.B. LAYOUT 1 (MOUNTED SIDE)  
USED FOR 84655-022/022LF



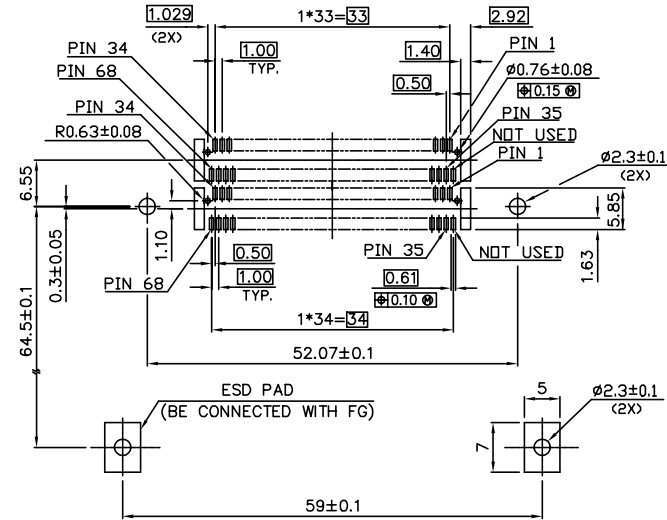
RECOMMENDED P.C.B. LAYOUT 2 (MOUNTED SIDE)  
USED FOR 84655-043/043LF  
USED FOR 84655-050/050LF

mat'l. code	surface ISO1302 ✓	tolerance ISO1101 ISO406	projection 	product family MCS
ltr ecn nodr	date	tolerances unless otherwise specified	MM	title DOUBLE DECK ASSY. SMT TYPE 123
D		angle 0°±2'	scale 1:1	dwg no 84655
	dr G.CLEMENS	1/13/99		sheet 5 of 6
	enr D.BRANN	1/13/99		size A4
	chr D.BRANN	1/13/99		type Product Customer Drawing
	appd D.BRANN	1/13/99		
sheet index	revision sheet			

PRODUCT NUMBER
84655-***/**LF



RECOMMENDED P.C.B. LAYOUT 3 (MOUNTED SIDE)  
USED FOR 84655-522/522LF



RECOMMENDED P.C.B. LAYOUT 4 (MOUNTED SIDE)  
USED FOR 84655-543/543LF  
USED FOR 84655-550/550LF

mat'l. code	surface ISO1302 ✓	tolerance ISO1101 ISO406	projection MM	product family MCS
ltr ecn nodr date	tolerances unless otherwise specified		MM	title DOUBLE DECK ASSY. SMT TYPE 123
D	angle 0°±2'	0.X±0.3 0.XX±0.13 0.XXX±0.051	scale 1:1	dwg no 84655
dr	G.CLEMENS	1/13/99		sheet 6 of 6
enr	D.BRANN	1/13/99		size A4
chr	D.BRANN	1/13/99		type Product Customer Drawing
appd	D.BRANN	1/13/99		
sheet index	revision sheet			