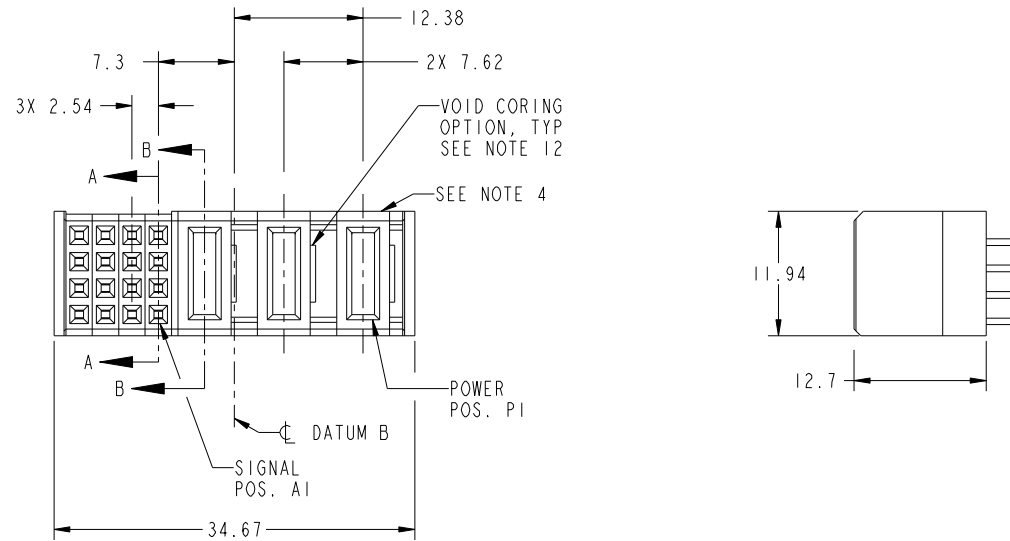


Tous droits strictement reserves. Reproduction ou communication a des tiers interdite sous quelque forme que ce soit sans autorisation écrite du propriétaire. Propriete de c FCI. Droits de reproduction FCI.



All rights strictly reserved. Reproduction or issue to third parties in any form whatever is not permitted without written authority from the proprietor. Property of FCI. Copyright FCI.

PRODUCT NO.	ROWS	SIGNAL			POWER			
		4	3	2	1	P3	P2	P1
51940-351-- NOTE: 3	D C B A	E	E	E	E	PD	PD	PD
		E	E	E	E			
		E	E	E	E			
		E	E	E	E			



CODE	DIM "M" MATING LENGTH	CONTACT TYPE
E	[N/A]	SIGNAL
PD	[2.34]	POWER

mat'l code				SEE NOTES		tolerances unless otherwise specified		CUSTOMER		FCI www.fciconnect.com	
ltr	ecn no.	dr	date	linear	0.X ±0.5	projection		COPY		title	
A	DG10-0169	WD	05/10/10	angles	0.XX ±0.25	MIM		3ACP + 16S		VERTICAL SOLDER RECEPT	
				dr	0.XXX ±0.1	scale		product family		code	
				enr	0° ±2°	1:1		PwrBlade		213	
				chr	Warren Du 04/14/10	A		size		sheet	
				appd	Warren Du 04/14/10	A		dwg no		1 of 4	
					PM ZHENG 04/14/10			51940-351			
					Joseph Hsia 04/14/10						
sheet index	revision sheet	A	A	A	A			cage code		4	
		1	2	3	4			22526			

1 | 2

Pro/E

3 |

cage code 22526

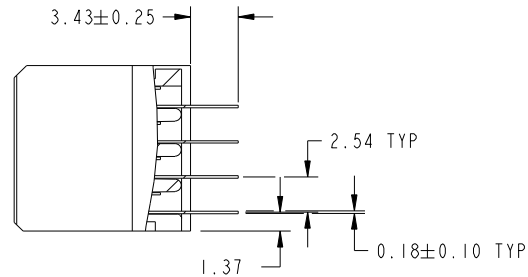
4

Tous droits strictement reserves. Reproduction ou communication a des tiers interdite sous quelque forme que ce soit sans autorisation écrite du propriétaire. Propriete de c FCI. Droits de reproduction FCI.

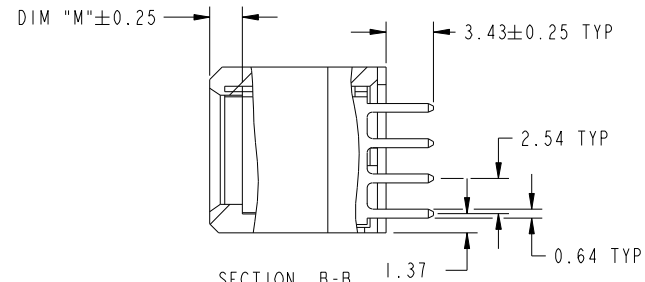


All rights strictly reserved. Reproduction or issue to third parties in any form whatever is not permitted without written authority from the proprietor. Property of FCI. Copyright FCI.

PRODUCT NUMBER  
51940-351--  
NOTE: 3



SECTION A-A  
SCALE 2:1



SECTION B-B  
SCALE 2:1

mat'l code				tolerances unless otherwise specified		CUSTOMER		FCI	
ltr	ecr no.	dr	date	linear	0.X ±0.5	COPY		www.fciconnect.com	
A					0.XX ±0.25	projection		title	
				angles	0.XXX ±0.1			3ACP + 16S VERTICAL SOLDER RECEPT	
				dr	Warren Du 04/14/10	MIM		product family PwrBlade code	
				enr	Warren Du 04/14/10			size 213	
				chr	PM ZHENG 04/14/10	scale 1:1		dwg no 51940-351 sheet	
				appd	Joseph Hsia 04/14/10	A		2 of 4	
sheet index		revision sheet							

cage code 22526

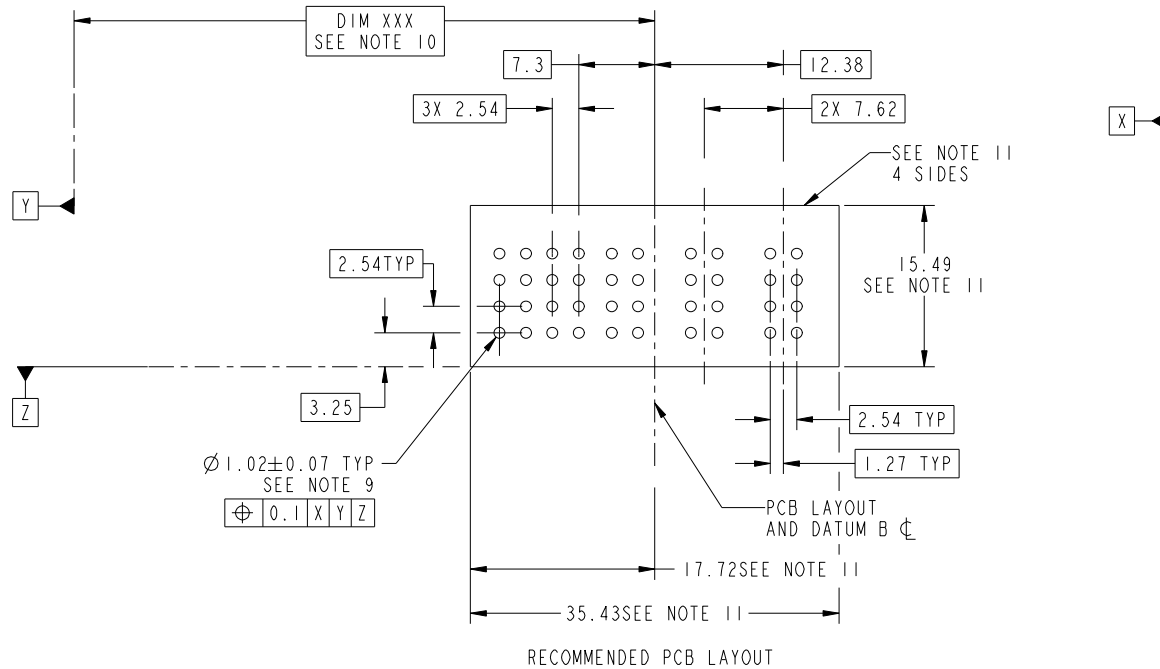
Pro/E

Tous droits strictement reserves. Reproduction ou communication a des tiers interdite sous quelque forme que ce soit sans autorisation écrite du propriétaire. Propriete de c FCI. Droits de reproduction FCI.



All rights strictly reserved. Reproduction or issue to third parties in any form whatever is not permitted without written authority from the proprietor. Property of FCI. Copyright FCI.

PRODUCT NUMBER  
51940-351\_\_  
NOTE: 3



mat'l code				tolerances unless otherwise specified		CUSTOMER		FCI	
ltr	ecn no.	dr	date	linear	0.X ± 0.5	COPY		www.fciconnect.com	
A				linear	0.XX ± 0.25	projection		title	
				angles	0.XXX ± 0.1			3ACP + 16S VERTICAL SOLDER RECEPT	
				dr	0° ± 2°			product family PwrBlade code	
				enr	Warren Du 04/14/10	scale		size	
				chr	Warren Du 04/14/10	1:1		dwg no	
				appd	PM ZHENG 04/14/10			A 51940-351	
					Joseph Hsia 04/14/10			sheet	
sheet index	revision sheet							3 of 4	

cage code 22526

Pro/E

Tous droits strictement reserves. Reproduction ou communication a des tiers interdite sous quelque forme que ce soit sans autorisation écrite du propriétaire. Propriete de c FCI. Droits de reproduction FCI.



All rights strictly reserved. Reproduction or issue to third parties in any form whatever is not permitted without written authority from the proprietor. Property of FCI. Copyright FCI.

PRODUCT NUMBER  
51940-351--  
NOTE: 3

NOTES:

1. DIMENSIONS AND TOLERANCES ARE IN ACCORDANCE WITH ASME Y14.5M, 1994 UNLESS OTHERWISE SPECIFIED.

CONNECTOR NOTES:

- 2 HOUSING MATERIAL: UL 94 V-0 GLASS FILLED HIGH-TEMP THERMOPLASTIC  
POWER CONTACT MATERIAL: COPPER ALLOY  
SIGNAL PIN MATERIAL: COPPER ALLOY
  - 3. SEE ITEM 5 & 6 IN PRINT 10064183 FOR PLATING SPEC OF 51940-351 AND 51940-351LF RESPECTIVELY.
  - 4 MANUFACTURER'S NAME, DATE CODE AND OPTIONAL P/N TO APPEAR ON THIS SURFACE. THE P/N CAN BE OMITTED IF THERE IS NOT ENOUGH SPACE ON THIS SURFACE.
  - 5. PRODUCT SPECIFICATION GS-12-149.  
APPLICATION SPECIFICATION BUS-20-067.
  - 6. PACKAGED IN TRAYS.
- PCB NOTES:
- 7. ALL HOLE DIAMETERS ARE FINISHED HOLE SIZE.
  - 8 MOUNTING HOLES, WHERE APPLICABLE, ARE UNPLATED.
  - 9  $\varnothing 1.151 \pm 0.025$  DRILLED HOLES PLATED WITH  
0.008 MIN SnPb OR Sn OVER 0.03  
TO 0.08 Cu PLATING TO ACHIEVE  
 $\varnothing 1.02 \pm 0.07$  HOLE.
  - 10 "DIM XXX" TO BE DETERMINED BY THE CUSTOMER.
  - 11 CONNECTOR KEEP-OUT ZONE.
  - 12. THE VOID CORING IN BETWEEN POWER MODULES, SIGNAL MODULES AND END MODULES ARE OPTIONAL AND THE SHAPE MAY BE DIFFERENT FOR OPTIMIZE THE MOLDING PROCESS. THE VOID CORING WILL NOT EFFECT TO PRODUCT FUNCTION.

mat'l code				tolerances unless otherwise specified		CUSTOMER		FCI	
ltr	ecr no.	dr	date	linear	0.X ± 0.5	COPY		www.fciconnect.com	
A					0.XX ± 0.25	projection		title	
				angles	0.XXX ± 0.1			3ACP + 16S VERTICAL SOLDER RECEPT	
				dr	0° ± 2°			product family PwrBlade code	
				enrg	Warren Du 04/14/10	scale		size	
				chr	Warren Du 04/14/10	1:1		dwg no	
				appd	PM ZHENG 04/14/10	A		51940-351	
					Joseph Hsia 04/14/10			sheet	
								4 of 4	
sheet index	revision sheet								

cage code 22526