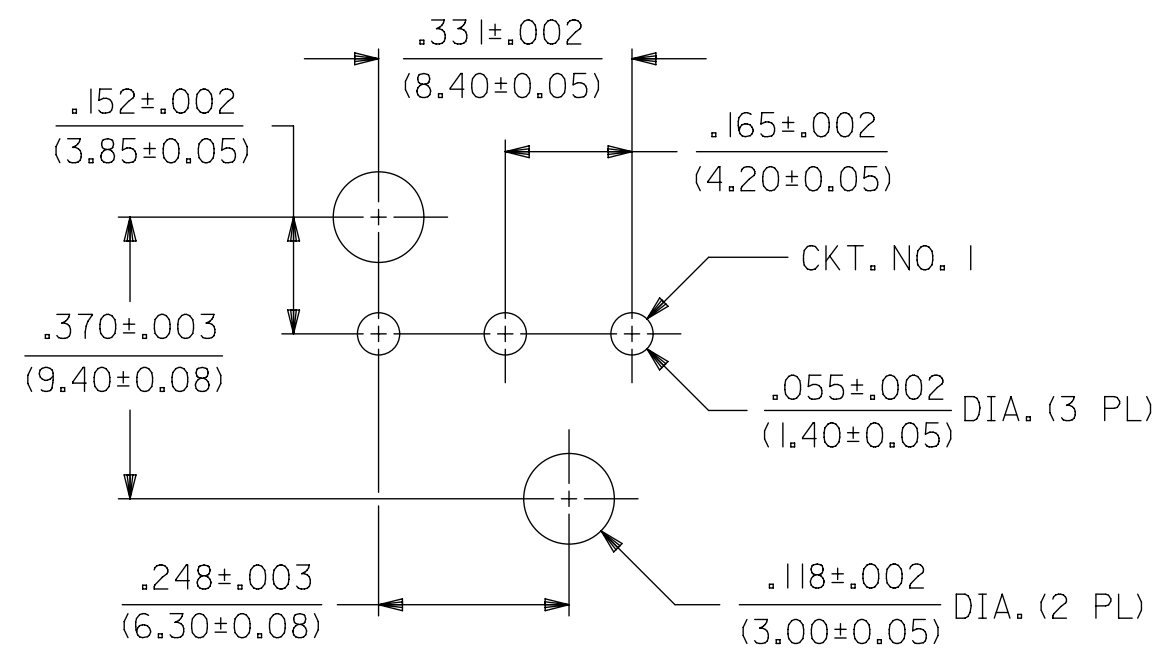
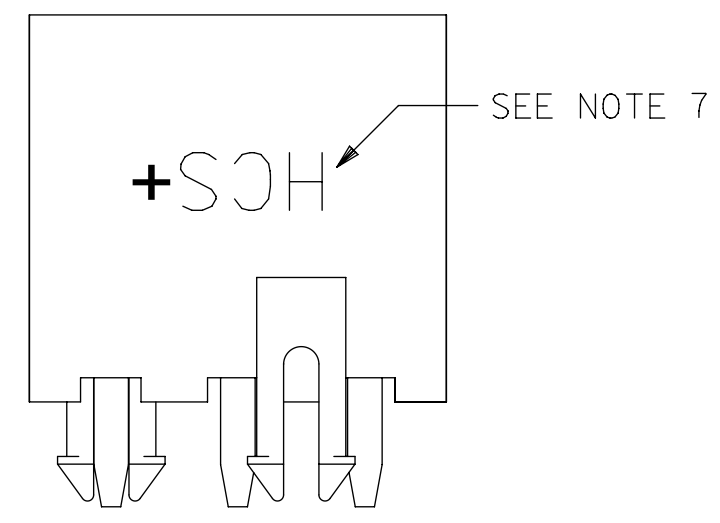
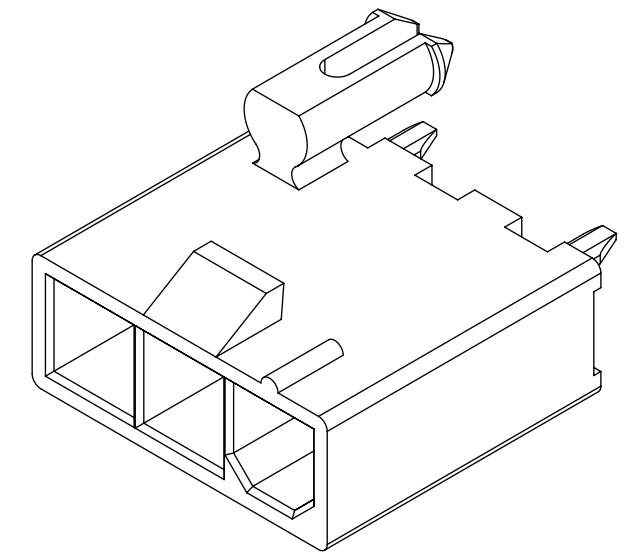
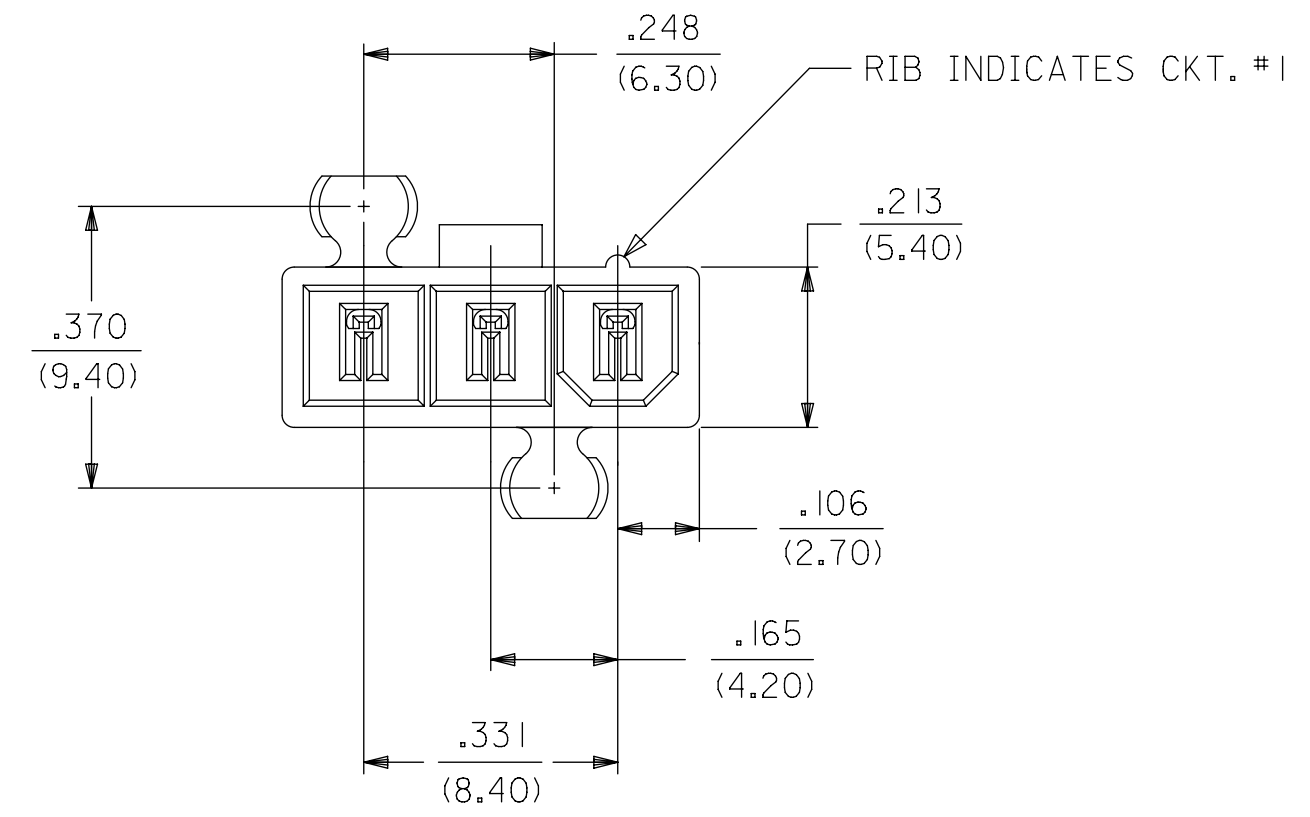
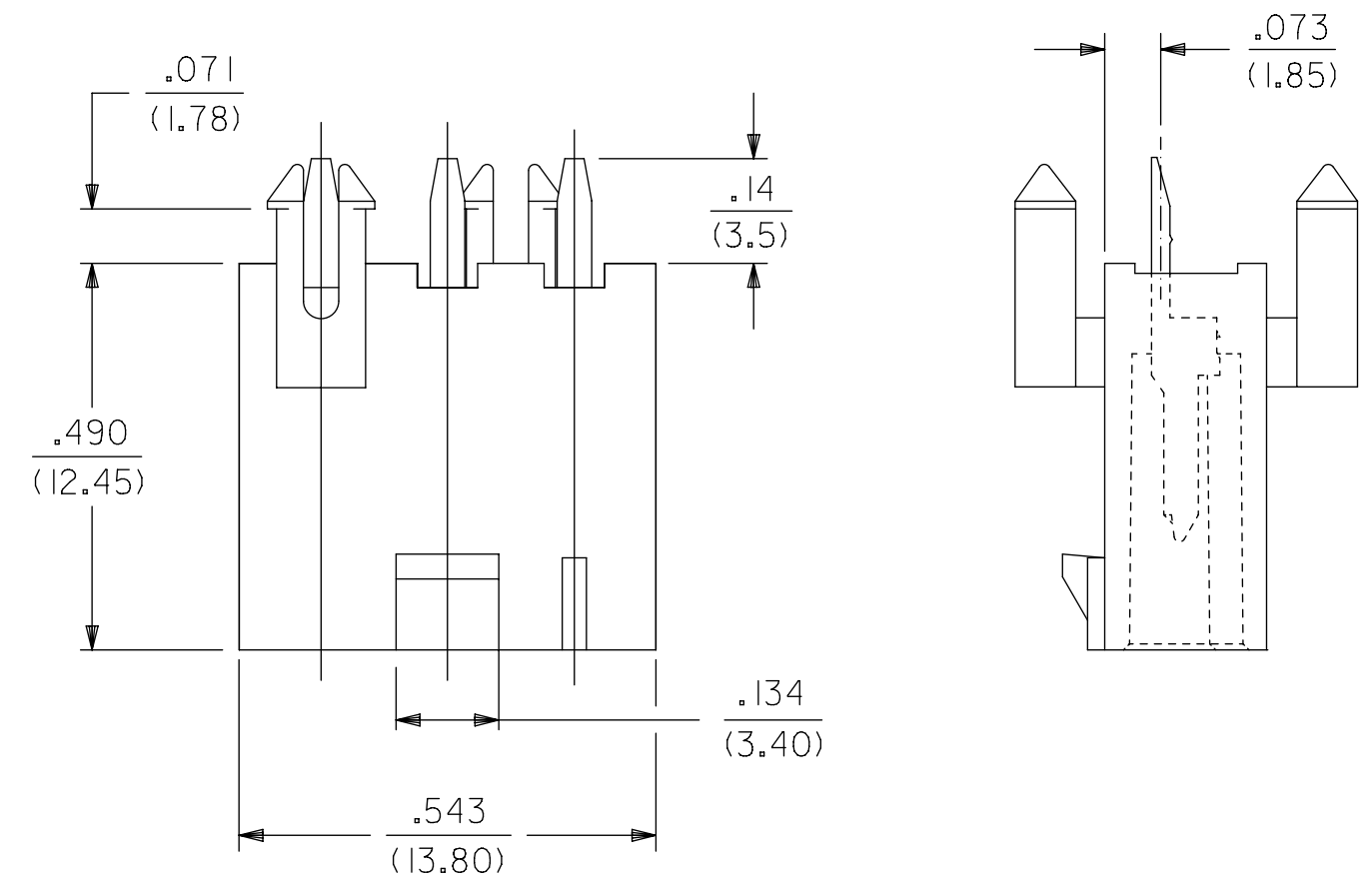


NOTES:

- 1) MATERIALS:
 HOUSING: 1 - NYLON 6/6, UNFILLED UL 94V-2, COLOR: NATURAL
 2 - NYLON 6/6, UNFILLED UL 94V-0, COLOR: NATURAL
 TERMINALS: COPPER ALLOY
- 2) TERMINAL PLATING:
 1 - .000100/(.00254) MIN. MATTE TIN OVER
 .000050(.00127) MIN. NICKEL OVERALL
 2 - .000030/(.00076) MIN. SELECT GOLD AND
 .000100/(.00254) MIN. SELECT MATTE TIN OVER
 .000050/(.00127) MIN. NICKEL OVERALL
- 3) PRODUCT SPECIFICATION: PS-45750-001
- 4) PACKAGING: TRAY PACK PER PK-5566-002
- 5) PART MATES WITH WITH MINI-FIT JR. RECEPTACLE #5557.
- 6) PART IS NOT DESIGNED FOR CURRENT SHARING.
- 7) PARTS TO HAVE "HCS+" MARKING.
- 8) PART CONFORMS TO CLASS "B" REQUIREMENTS OF COSMETIC SPECIFICATION PS-45499-002.

ITEM NO.	HOUSING MATERIAL	PLATING	VOID CIRCUIT
46014-0304	V-0	TIN	NONE
46014-0305	V-2		
46014-0306	V-0	GOLD	
46014-0307	V-2		



RECOMMENDED HOLE LAYOUT FOR
 .070(1.78) MAX. THICK P.C. BOARD

QUALITY SYMBOLS ▽ = 0 ▽ = 0 ▽ = 0 ▽ = 0 ▽ = 0 ▽ = 0 ▽ = 0 ▽ = 0 ▽ = 0 ▽ = 0 ▽ = 0	THIS DRAWING CONTAINS INFORMATION THAT IS PROPRIETARY TO MOLEX ELECTRONIC TECHNOLOGIES, LLC AND SHOULD NOT BE USED WITHOUT WRITTEN PERMISSION	GENERAL TOLERANCES (UNLESS SPECIFIED)		DIMENSION UNITS	SCALE	
				IN/MM	4:1	
				DRWN BY	DATE	
				CHK'D BY	DATE	
		APPR BY	DATE	PRODUCT CUSTOMER DRAWING		
		ANGULAR TOL = 0.5		DRAWING SIZE	THIRD ANGLE PROJECTION	SERIES: 46014 MATERIAL NUMBER: SEE CHART CUSTOMER: GENERAL MARKET
		DRAFT WHERE APPLICABLE MUST REMAIN WITHIN DIMENSIONS		C		
EC NO: 107868 DRWN: CSLAFTER CHKD: JBELL REV APPR: FSMITH		2016/08/25 2016/09/16 2016/09/23		TGREGORI 2006/04/27 JCOMERCI 2006/04/27 FSMITH 2010/04/09		DOCUMENT NUMBER: SD-46014-003 DOC TYPE: PSD DOC PART: 000 SHEET NUMBER: 1 OF 1