

- 1. CABLE USED WITHOUT SPACER
- 2. CABLE USED WITH SPACER
- 3. SEE INSTRUCTION SHEET 408-9021
- 4. PARTS PACKAGED UNASSEMBLED
- 5. USE WITH PRO-CRIMPER 354940-1.
- 6. SPECIAL PACKAGING: INDIVIDUALLY PACKAGED IN PRE-PRINTED BAG WITH SPECIAL GRAPHICS
- 7. BULK KIT PACKAGING 25 PIECES
- 8. BULK KIT PACKAGING 100 PIECES
- 9. OBSOLETE PARTS: OBSOLETE CIS STREAMLINING PER D.RENAUD/D.SINISI

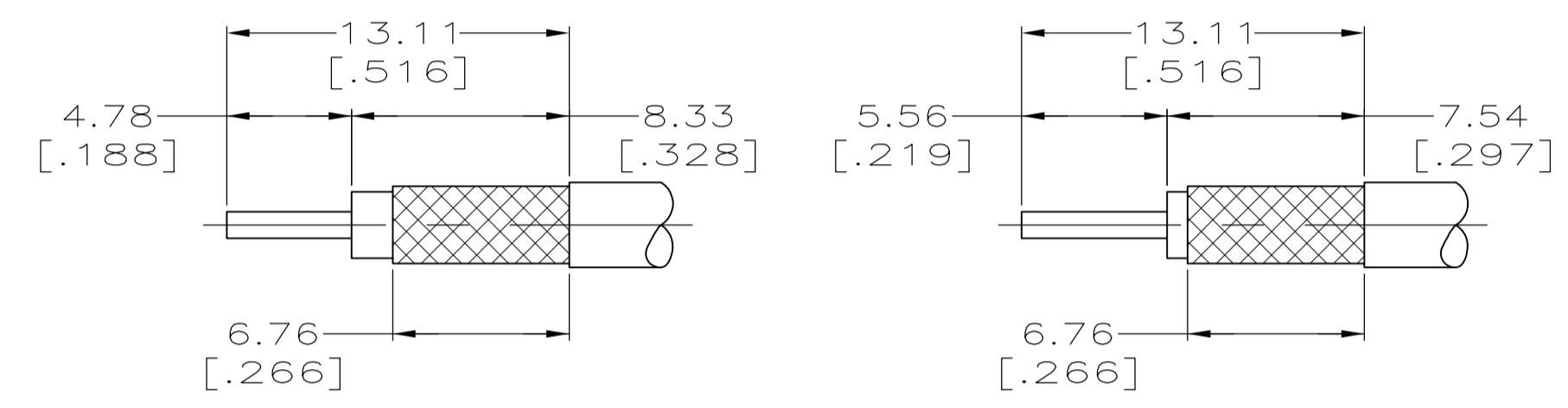
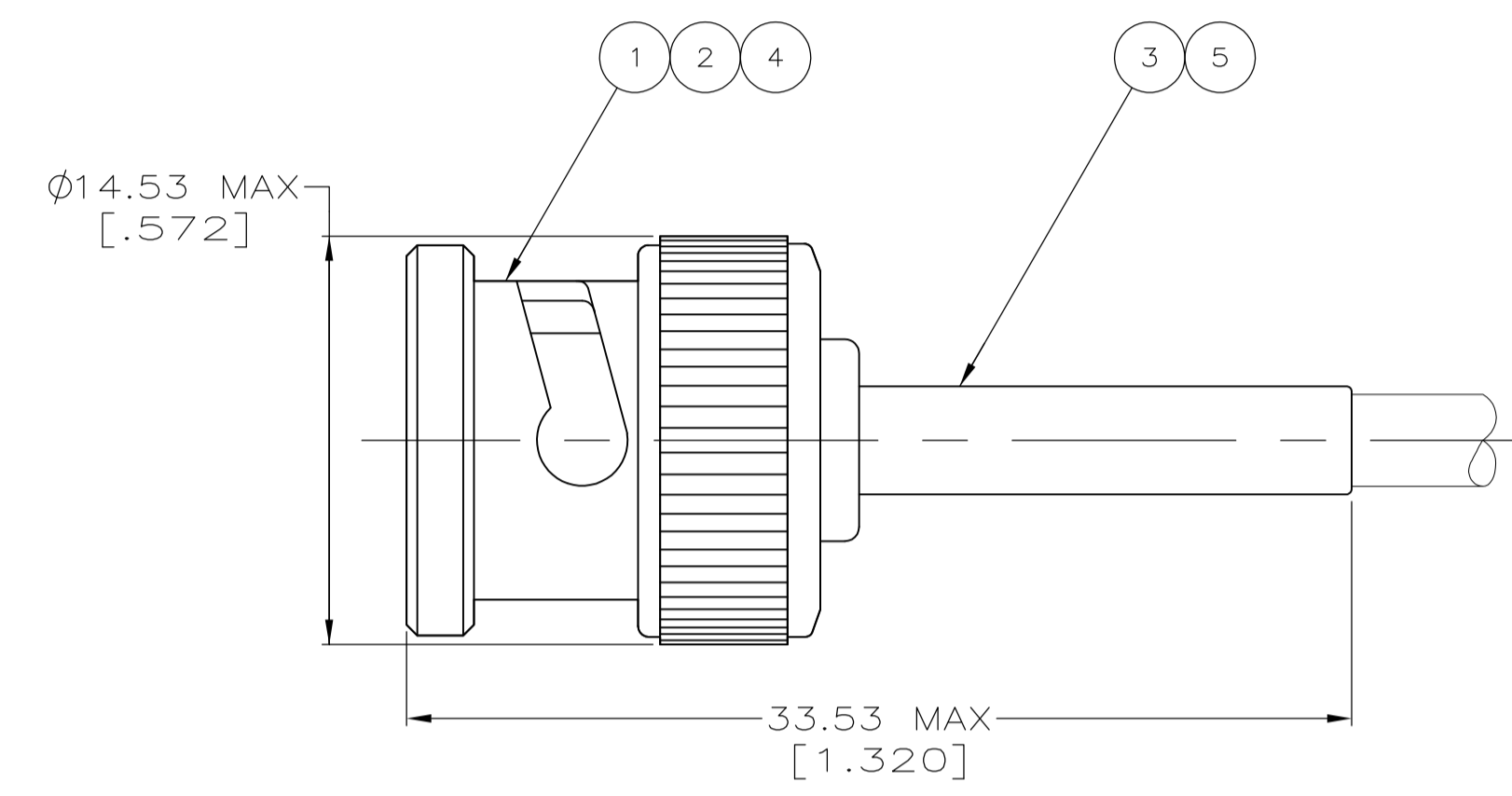


FIGURE 1
FIGURE 2
RECOMMENDED STRIP LENGTH

OBSOLETE	JIS CABLE 3D-2V	7	5.41 [.213]	1.73 [.068]	58436-1	FIG 1	-	-	8-221132-9	1-222246-6	9-413636-3	3-5221128-1				
	BELDEN 9907, 89907 & RG-141/U	6	5.41 [.213]	1.73 [.068]	58436-1	FIG 1	-	-	9-221132-0	1-222246-6	9-413636-0	2-5221128-7				
	RG-179/U, 187/U	6	4.52 [.178]	1.73 [.068]	58436-3	FIG 1	227194-1	-	9-413658-0	1-222246-3	9-413636-2	2-5221128-3				
	RG-174/U, 188/U, 316/U	6	4.52 [.178]	1.73 [.068]	58436-3	FIG 1	227194-1	-	9-413658-0	1-222246-0	9-413636-2	2-5221128-1				
	RG-59/U, 59A/U, 59B/U	6	6.48 [.255]	1.73 [.068]	58436-1	FIG 1	-	227423-1	9-221132-1	222246-6	9-413636-1	4-5221128-8				
	BELDEN 9266	6	6.48 [.255]	1.73 [.068]	58436-1	FIG 1	-	-	9-221132-1	222246-2	9-413636-1	1-5221128-7				
	RG-62/U, 62A/U, 62B/U	6	6.48 [.255]	1.73 [.068]	58436-1	FIG 2	-	227423-1	9-221132-1	222246-4	9-413636-1	1-5221128-1				
	RG-59/U, 59A/U, 59B/U	6	6.48 [.255]	1.73 [.068]	58436-1	FIG 1	-	-	9-221132-0	222246-2	9-413636-0	1-5221128-0				
	RG-58/U, 58A/U, 58B/U, 58C/U	6	5.41 [.213]	1.73 [.068]	58436-1	FIG 1	-	-	9-221132-0	222246-2	9-413636-0	1-5221128-0				
	RG-62/U, 62A/U, 62B/U	6	6.48 [.255]	1.73 [.068]	58436-1	FIG 2	-	227423-1	9-221132-1	222246-4	9-413636-1	5221128-2				
	RG-59/U, 59A/U, 59B/U	6	6.48 [.255]	1.73 [.068]	58436-1	FIG 1	-	-	9-221132-0	222246-2	9-413636-0	5221128-1				
	RG-58/U, 58A/U, 58B/U, 58C/U	6	5.41 [.213]	1.73 [.068]	58436-1	FIG 1	-	-	9-221132-0	222246-2	9-413636-0	5221128-1				
	FOR USE WITH CABLE	PACKAGING	FERRULE	CONTACT	DIE SET	STRIP LENGTH	TUBING	SPACER	FERRULE	CONTACT, PLUG	PLUG ASSEMBLY	PART NUMBER				
			HEX CRIMP HEIGHTS		5	5	QTY=1	4	QTY=1	3	QTY=1	2	QTY=1	1	QTY=1	

THIS DRAWING IS A CONTROLLED DOCUMENT.

DIMENSIONS: mm [INCHES]	TOLERANCES UNLESS OTHERWISE SPECIFIED:	DIN J. ALCORTA - DOCK 5	21APR2005	 TE Connectivity
0 PLC ± -	1 PLC ± -	J. HAVENER	21APR2005	
2 PLC ± 0.41 [016]	3 PLC ± -	J. LIPPERT	21APR2005	PLUG, COMMERCIAL BNC
4 PLC ± -	ANGLES ± -			SIZE: A1
MATERIAL: -	FINISH: -			WEIGHT: -
				CUSTOMER DRAWING

SCALE: 4:1 SHEET 1 OF 1 REV A3