

STYLE
 -01: PANEL MOUNT DUST CAP
 -02: CABLE DUST CAP
 -03: USB FLASH DRIVE COVER



DO NOT
SCALE FROM
THIS PRINT

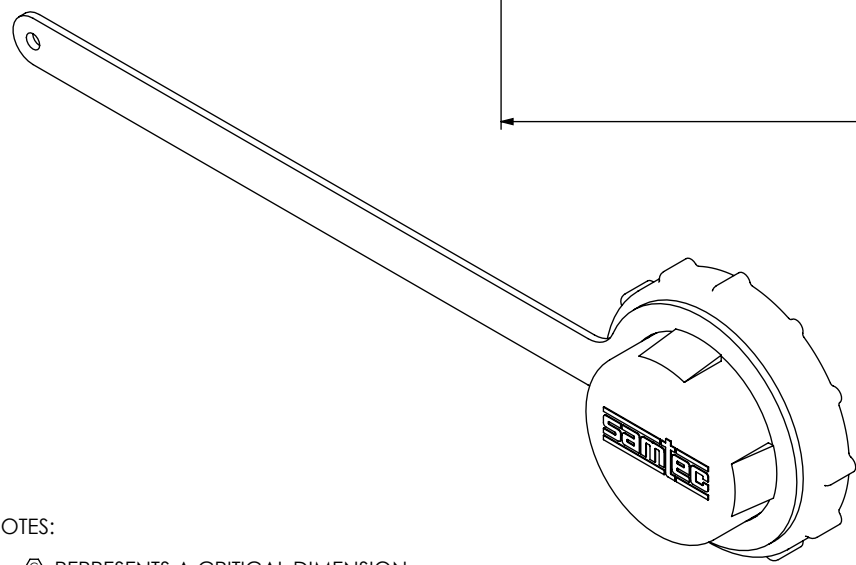
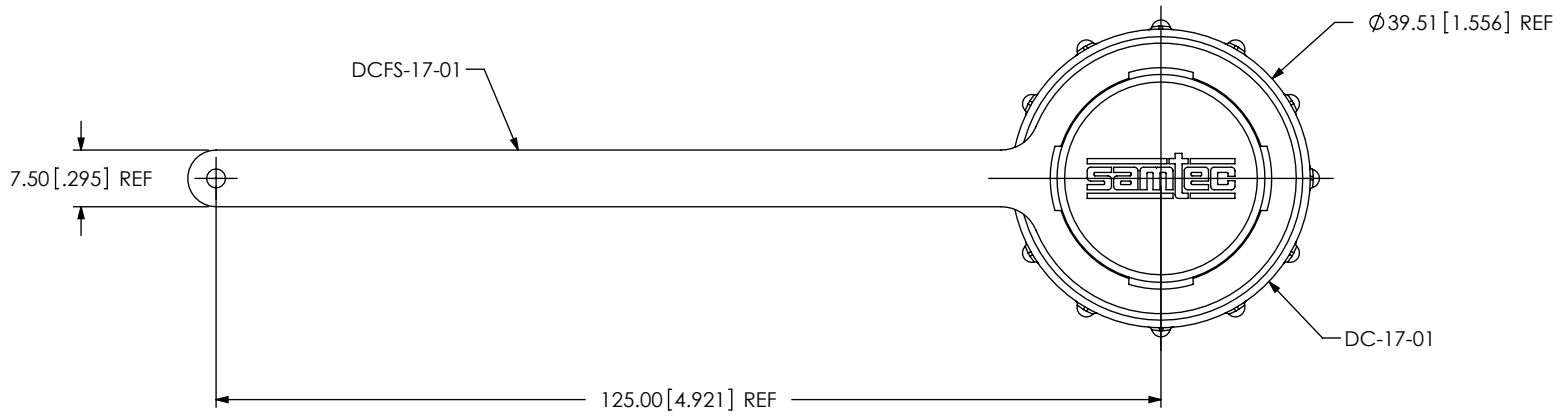


FIG 1
DCA-17-01 SHOWN

- NOTES:
1. $\text{\textcircled{C}}$ REPRESENTS A CRITICAL DIMENSION.
 2. VENDOR TO ASSEMBLE PARTS.
 3. COMPONENTS MUST BE PRESSED DOWN BELOW SNAPS.
 4. DCA-17-03 WILL ACCOMODATE USB DEVICE WITH DIMENSIONS 80.00mm X 13.30mm X 20.25mm.
 5. TORQUE SPECIFICATION FOR SCN-17-04 IS 12 IN-LB.
 6. MIN BEND RADIUS: 6.00 [.24]

UNLESS OTHERWISE SPECIFIED,
DIMENSIONS ARE IN MILLIMETERS.
TOLERANCES ARE:
 DECIMALS ANGLES
 .X: ± 0.3 [.01] 2°
 .XX: ± 0.13 [.005]
 .XXX: ± 0.051 [.0020]

PROPRIETARY NOTE
 THIS DOCUMENT CONTAINS INFORMATION
 CONFIDENTIAL AND PROPRIETARY TO
 SAMTEC, INC. AND SHALL NOT BE REPRODUCED
 OR TRANSFERRED TO OTHER DOCUMENTS OR
 DISCLOSED TO OTHERS OR USED FOR ANY
 PURPOSE OTHER THAN THAT WHICH IT WAS
 OBTAINED WITHOUT THE EXPRESSED WRITTEN
 CONSENT OF SAMTEC, INC.



520 PARK EAST BLVD, NEW ALBANY, IN 47150
 PHONE: 812-944-6733 FAX: 812-948-5047
 e-Mail: info@SAMTEC.com code: 55322

MATERIAL: DO NOT SCALE DRAWING SHEET SCALE: 1:1
 STRAP: LDPE
 CAP: PA66
 O-RING: SILICONE

DESCRIPTION:
DUST CAP ASSEMBLY

DWG. NO.
DCA-17-XX

BY: CHAD F 11/22/2004 SHEET 1 OF 3

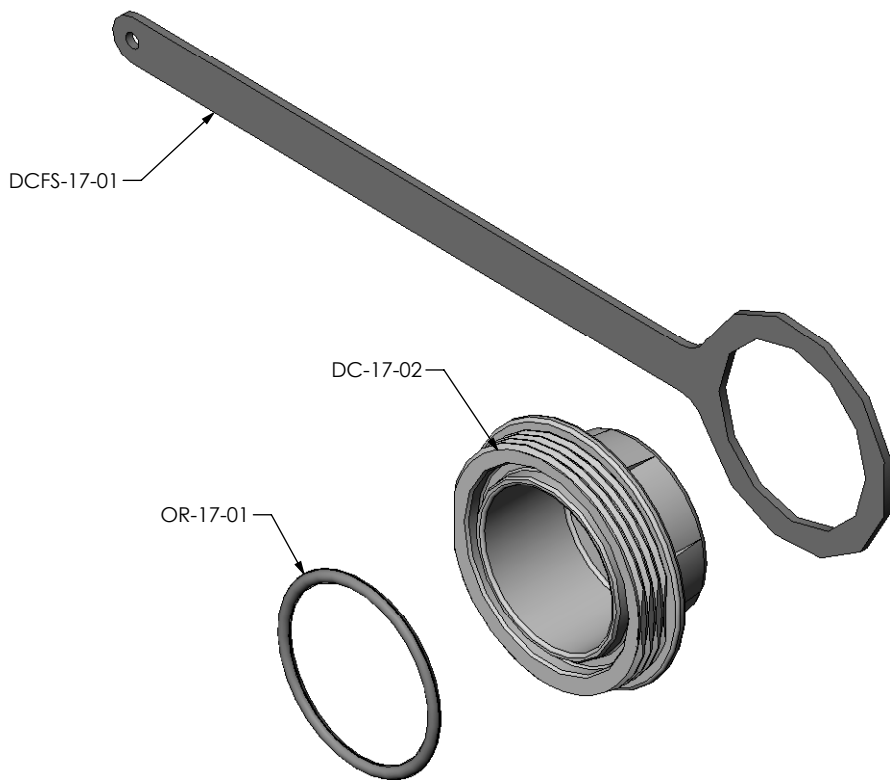
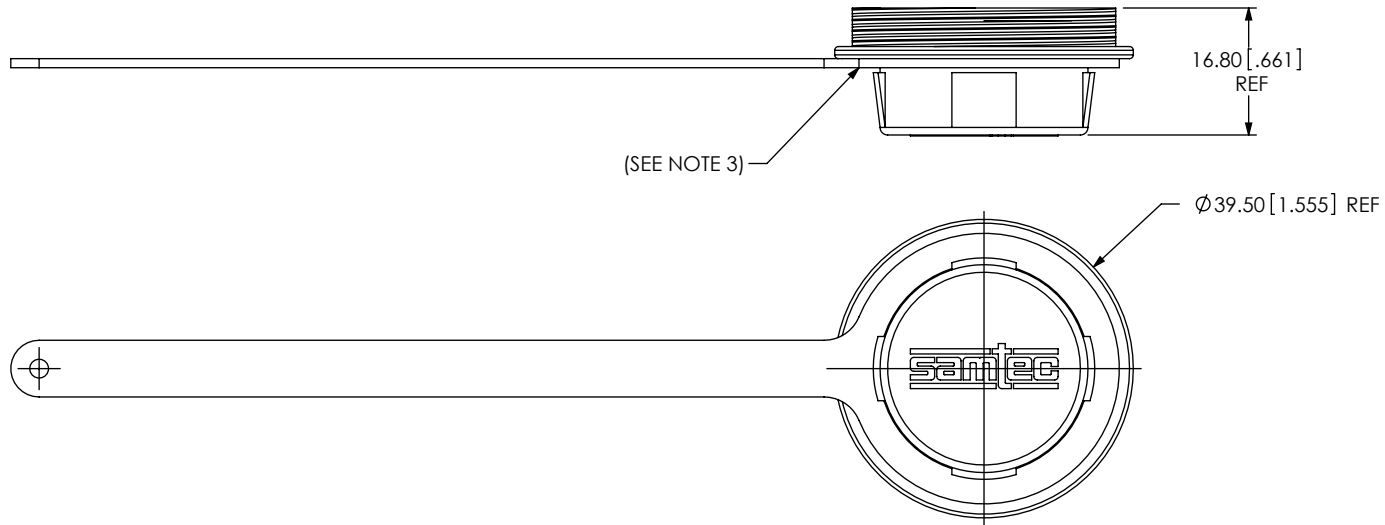



FIG 2
DCA-17-02 SHOWN
(SAME AS FIG 1, UNLESS OTHERWISE STATED)

<p>PROPRIETARY NOTE THIS DOCUMENT CONTAINS INFORMATION CONFIDENTIAL AND PROPRIETARY TO SAMTEC, INC. AND SHALL NOT BE REPRODUCED OR TRANSFERRED TO OTHER DOCUMENTS OR DISCLOSED TO OTHERS OR USED FOR ANY PURPOSE OTHER THAN THAT WHICH IT WAS OBTAINED WITHOUT THE EXPRESSED WRITTEN CONSENT OF SAMTEC, INC.</p> <p>DO NOT SCALE DRAWING</p> <p>SHEET SCALE: 1:1</p>			
	<p>520 PARK EAST BLVD., NEW ALBANY, IN 47150 PHONE: 812-944-6733 FAX: 812-948-5047 e-Mail: info@SAMTEC.com code: 55322</p>		
	<p>DESCRIPTION: DUST CAP ASSEMBLY</p>		
	<p>DWG. NO. DCA-17-XX</p>		
	BY: CHAD F	11/22/2004	SHEET 2 OF 3

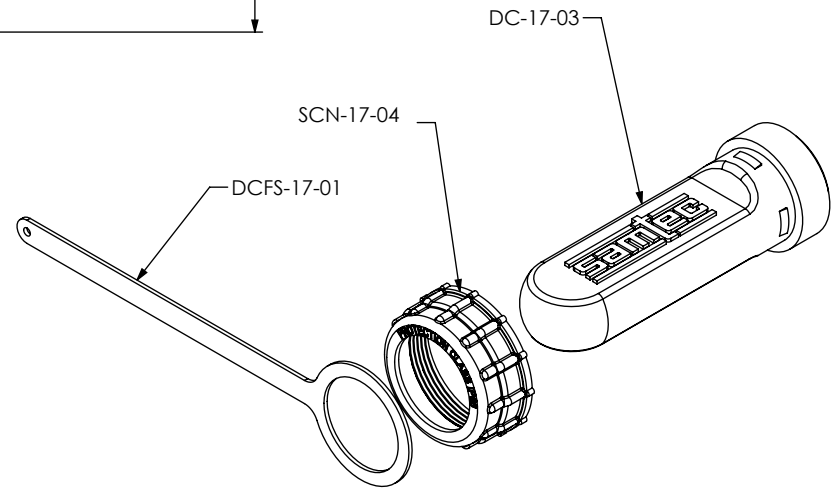
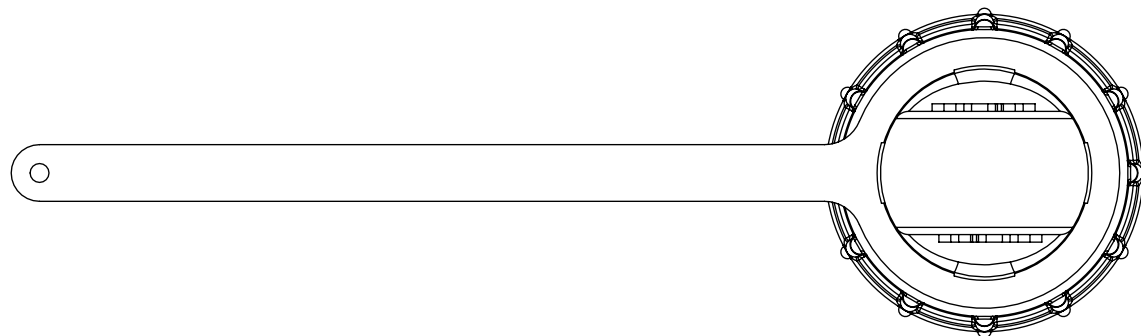
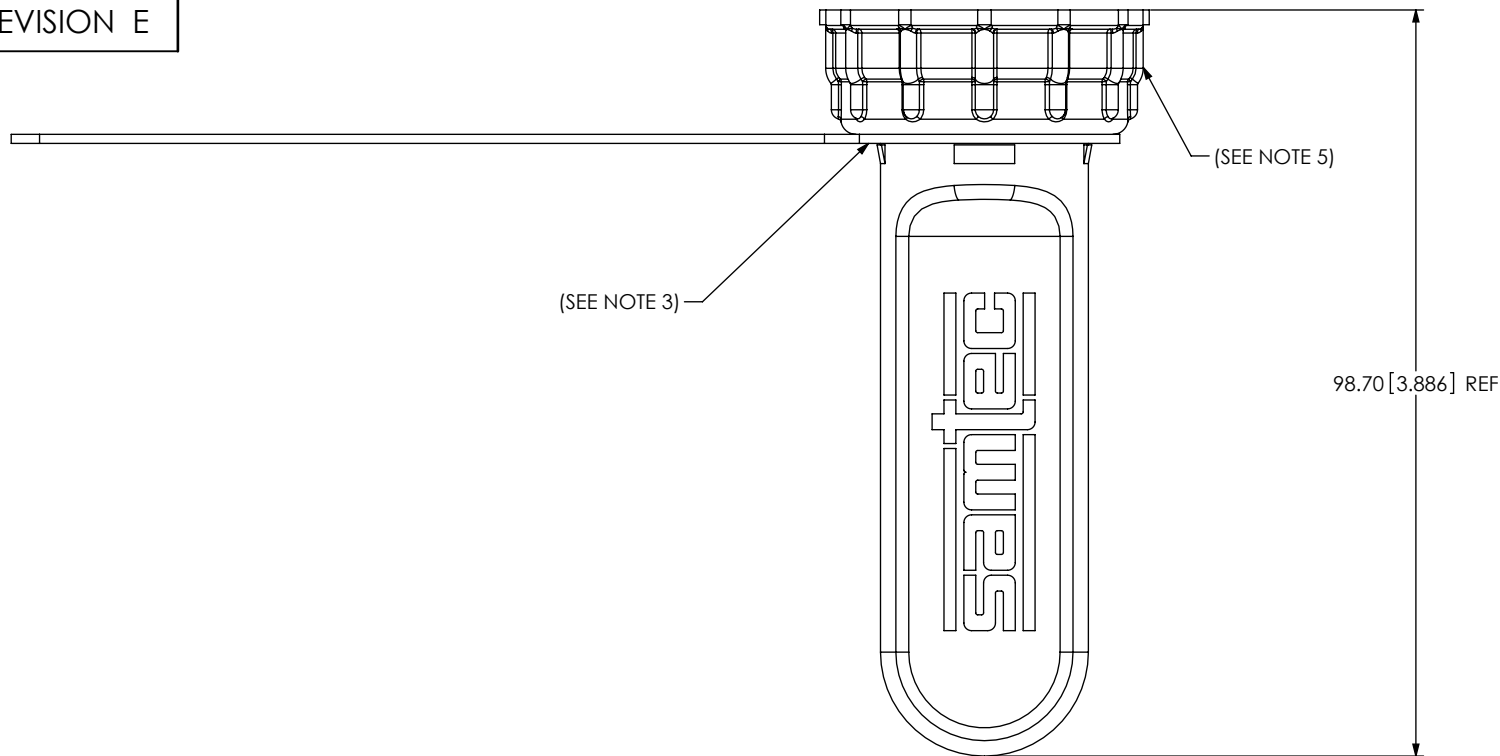



FIG 3
DCA-17-03 SHOWN
(SAME AS FIG 1, UNLESS OTHERWISE STATED)

<p>PROPRIETARY NOTE</p> <p>THIS DOCUMENT CONTAINS INFORMATION CONFIDENTIAL AND PROPRIETARY TO SAMTEC, INC. AND SHALL NOT BE REPRODUCED OR TRANSFERRED TO OTHER DOCUMENTS OR DISCLOSED TO OTHERS OR USED FOR ANY PURPOSE OTHER THAN THAT WHICH IT WAS OBTAINED WITHOUT THE EXPRESSED WRITTEN CONSENT OF SAMTEC, INC.</p> <p>DO NOT SCALE DRAWING</p> <p>SHEET SCALE: 1:2</p>		
	<p>520 PARK EAST BLVD, NEW ALBANY, IN 47150 PHONE: 812-944-6733 FAX: 812-948-5047 e-Mail: info@SAMTEC.com code: 55322</p>	
	<p>DESCRIPTION: DUST CAP ASSEMBLY</p>	
	<p>DWG. NO. DCA-17-XX</p>	
<p>BY: CHAD F</p>	<p>11/22/2004</p>	<p>SHEET 3 OF 3</p>