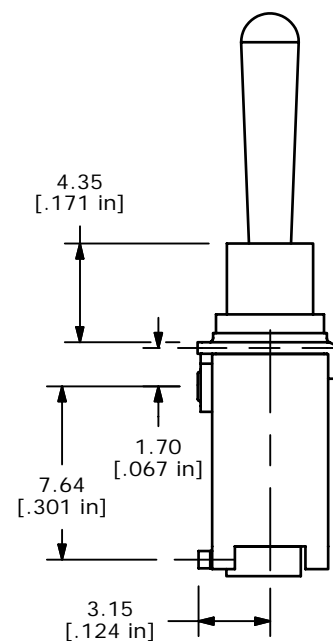
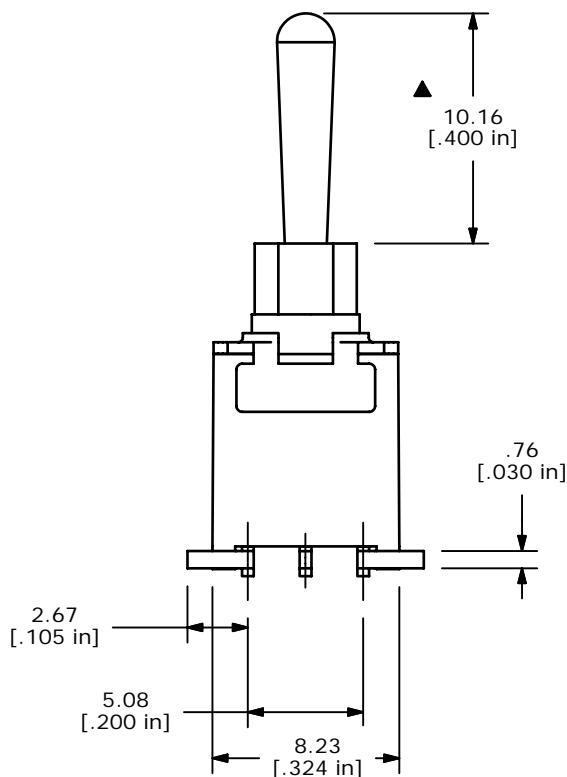


ISOMETRIC

SWITCH FUNCTION		
POS. 1	POS. 2	POS. 3
ON	OFF	(ON)
2-3	OPEN	2-1

(ON)=MOMENTARY



NOTES:

1. ALL DIMENSIONS IN MM [INCH]
2. TERMINAL NUMBERS FOR REF. ONLY
3. GENERAL TOLERANCE: X.X=±0.4  
X.XX=±0.25
- ▲ 4. PLATING MATERIAL: GOLD
5. RATING: 0.4VA MAX. @ 20VAC OR DC
6. MECHANICAL LIFE: 50,000 MAKE AND BREAK CYCLES AT FULL LOAD
7. INSULATION RESISTANCE: 1,000 MEGA-OHM MIN.
8. DIELECTRIC STRENGTH: 1,000 V RMS@SEA LEVEL
9. OPERATING TEMPERATURE: -30°C TO 85°C
10. ▲ DENOTES CRITICAL PARAMETER
11. 2002/95/EC (ROHS) COMPLIANT.

**E-SWITCH®**

A	16235	NEW RELEASE	7/14/06	BK
REV	PCR NO	DESCRIPTION	DATE	BY

TITLE 200BWMSP5T1A1SM6RE				
SCALE	DATE	DR	DWG	REV
3:1	07/14/06	BK	T833042	A

THE INFORMATION CONTAINED IN THIS DOCUMENT IS PROPRIETARY TO E-SWITCH AND IS NOT TO BE COPIED OR TRANSFERRED