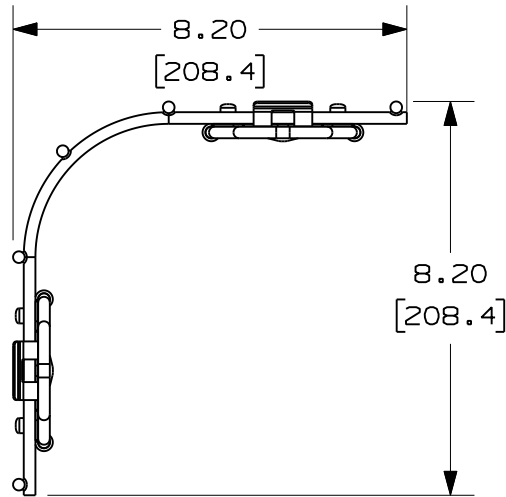
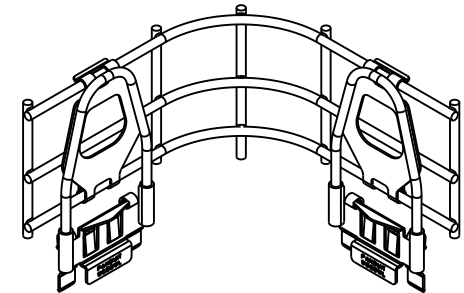
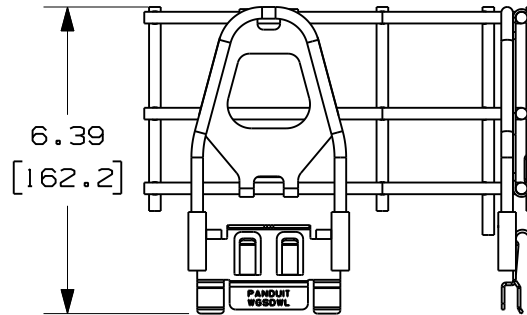
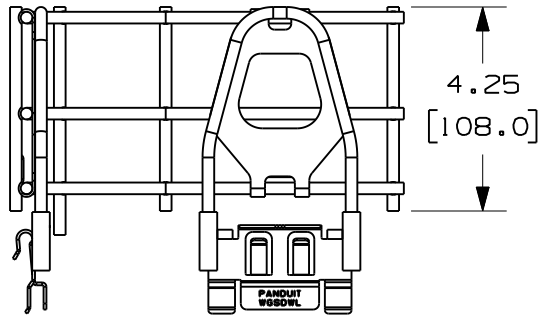


THIS COPY IS PROVIDED ON A RESTRICTED BASIS AND IS NOT TO BE USED IN ANY WAY DETRIMENTAL TO THE INTERESTS OF PANDUIT CORP.



PANDUIT PART NUMBER	WEIGHT
WGINTBRC4	1.64 LB/EACH (743.9 g/EACH)

- PANDUIT PART NUMBER WGINTBRC4 INCLUDES:
1. SEE CURRENT CATALOG FOR PART NUMBER DESIGNATION FOR TYPE AND COLOR.
 2. ONE (1) WYR-GRID INTERSECTION BEND RADIUS CONTROL 4" ASSEMBLY
 3. DIMENSIONS IN PARENTHESES ARE METRIC



CAD FILENAME/LAYERS 09D017AQ_DC/03A WGINTBRC4

PANDUIT CORP. TINLEY PARK, ILLINOIS

WYR-GRID INTERSECTION BEND RADIUS CONTROL 4" (WGINTBRC4)

CUSTOMER DRAWING

UNLESS OTHERWISE SPECIFIED, DIMENSIONAL TOLERANCES ARE:

(.X) ± (.XXX) ±
(.XX) ± .05 (1.3) ANGLES ±

UNLESS OTHERWISE SPECIFIED, ALL DIMENSIONS ARE GIVEN IN INCHES, THIRD ANGLE PROJECTION.

DRAWN BY JAHA

MAT'L:

SCALE NONE

DATE 8-13-10

SEE NOTES ABOVE

DRAWING NO.

09D017AQ-DC

DWG
A
SIZE

REV	DATE	BY	CHK	DESCRIPTION	ECN	CHK	CUST	SUP
R	8-13-10	JAHA	SL	RELEASED TO PRODUCTION	09D017AQ-DC	RN	RN	