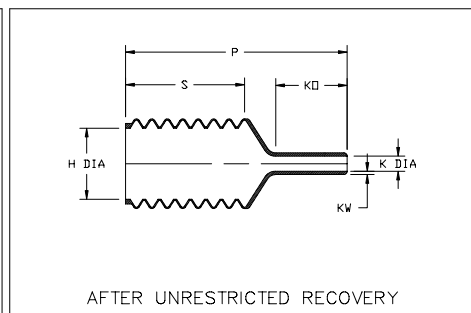
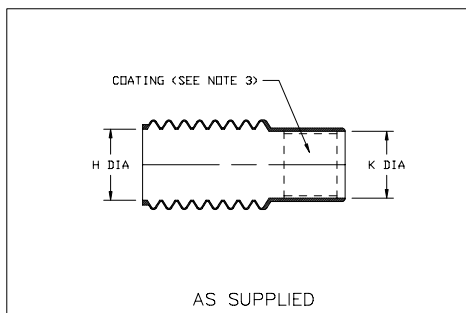


Molded Parts Specification Control Drawing

Part Number : 202B521-X-01
Description : Boot, Connector Protector

NOTES

- All dimensions are in $\frac{\text{inches}}{\text{[millimeters]}}$
- Dimensions appearing in table are as follows:
a - As Supplied
b - After Unrestricted Recovery
- Coating is required. As supplied dimensions appearing in table are for uncoated parts. When coating is added, entry diameters will be reduced by .06 max.



PART NUMBER	H		K		P	S	KO	KW
	Min	±5%	Min	Max	±10%	±10%	±10%	±20%
	a	b	a	b	b	b	b	b
202B521-X-01	.99 [25,1]	.99 [25,1]	.99 [25,1]	.22 [5,6]	3.26 [82,8]	2.00 [50,8]	.83 [21,1]	.07 [1,8]

**If this document is printed it becomes uncontrolled.
Check with the web for latest revision.**

TYCO Electronics Raychem

TYCO ELECTRONICS
307 CONSTITUTION DRIVE
MENLO PARK, CALIFORNIA 94025

Revision : A
Date : 2/21/20

Part Number : 202B521-X-01
Description : Boot, Connector Protector

Molded Parts Specification Control Drawing

Part Number : 202B521-X-01
Description : Boot, Connector Protector

MATERIAL DASH NO.	MATERIAL DESCRIPTION	RT SPEC	COATING SLASH NO.	COATING S NO.	COATING DESCRIPTION
-3	Polyolefin, Semi-rigid	RT-301	/42,/86	S-1017,S-1048	Adhesive
-4	Polyolefin, Flexible	RT-1304	/42,/86	S-1017,S-1048	Adhesive
-25	Elastomer, Fluid Resistant	RT-1325	/42,/86	S-1017,S-1048	Adhesive

ORDERING INFORMATION

202B521 -X -01 /XX

Base part number _____
Material dash number _____
(See Compatibility Chart)
Modification number _____
(If necessary, see front of scd binder
for a complete list)
Adhesive slash number _____
(If necessary, see Compatibility Chart)

THIS DRAWING IS SUBJECT TO CHANGE WITHOUT NOTICE; CONSULT YOUR
NEAREST FIELD REPRESENTATIVE FOR CURRENT REVISION

TYCO Electronics Raychem

TYCO ELECTRONICS
307 CONSTITUTION DRIVE
MENLO PARK, CALIFORNIA 94025

Revision : A
Date : 2/21/02

Part Number : 202B521-X-01
Description : Boot, Connector Protector

CAD FILE MP02028