

Top Mounting DTT Series
4500 BTU/H



Description

- Designed for top mounting where space limitations do not allow side mounting on the enclosure surface.
- Closed loop cooling ensures clean enclosure air is recirculated without ever mixing with contaminated ambient air.

Standards

- Maintains NEMA 12 rating
- IP 54
- UR, cUR, CE

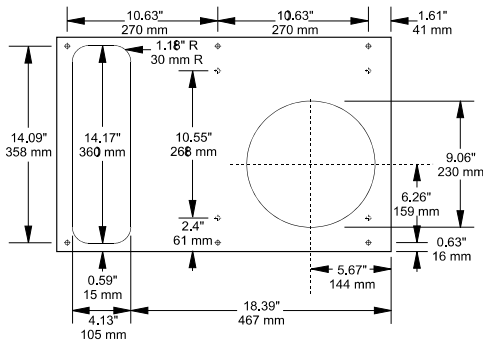
Features

- R134a refrigerant.
- Thermostat control.
- Expansion valve increases efficiency with improved evaporator heat transfer and less frequent compressor operation.
- Built in condensate evaporator.
- Continuous air circulation from high capacity fans.
- EMI/RFI suppression meets CE.
- Line cord with plug (115 V).
- Washable filter mat protected within an easily removable grill.
- Gasket, mounting kit and template for cutout and drilling are included.
- Condensate drain hose and clamp.

- Volt free contact for high pressure failure.
- Exterior case easily removable for resetting thermostat and field service.
- Can accommodate crane hooks to assist installation.
- Versatile design maintains foot print through the series.

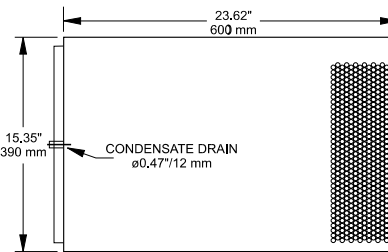
Accessories

- Gaskets...see page 400
- Lifting lugs...see page 400
- Remote door switch...see page 400
- Replacement filters...see page 400
- Replacement grill...see page 400

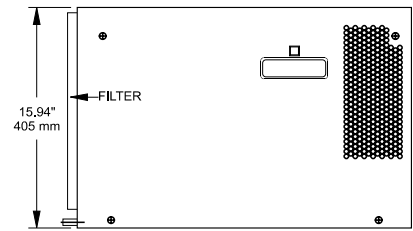


Drilling for cabinets with 15.75" depth only.

Drilling Template



Top View



Side View

Part Number	Ship Wt. lbs.
DTT4500A115LG	95
DTT4500A230LG	95

Technical Data

Electrical Data	DTT4500A115LG	DTT4500A230LG
Rated Voltage	115 V 60 Hz	230V 50/60 Hz
	100 V 50 Hz	
Range of Operation	103-127 V	207-253 V
Power Consumption	630 W	840 W
Running Amps	7.7 A	5.2 A
Starting Current	24.9 A	18.5 A
Line Cord	With plug	Without plug

Refrigeration Data

Rated Capacity	4,500 BTU/H (1,300 Watts)
Type of Refrigerant	R134a
Refrigerant Charge	480 g
Adjustable Thermostat	Factory setting +95°F (+35°C)
Max. Ambient Air Temp.	+125°F (+52°C)
Min. Ambient Air Temp.	+46°F (+8°C)
Air Capacity (unrestricted)	Internal Circulation 547 CFM External Circulation 547 CFM
Condensate Discharge	Condensate evaporator
Filter Mat	150 g/m ²
Db Noise Level	≤ 66 dB(A)
Unit Weight	90 lbs (41 kg)
Exterior Case	Galvanized sheet steel
Finish	RAL7032 beige powder finish
NEMA Rating	Enclosures IP 54/NEMA 12

Technical references and DXF downloads available at www.hammfg.com

All dimensions in inches unless specified otherwise

Quality Enclosures. Service Excellence.