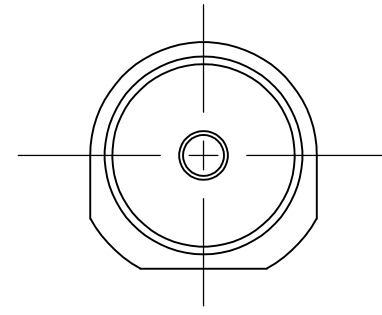
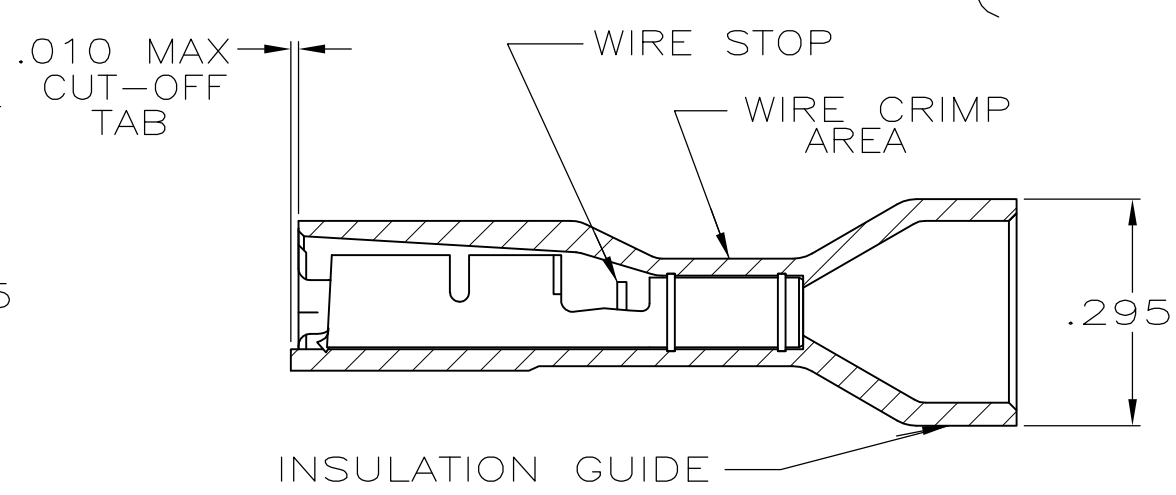
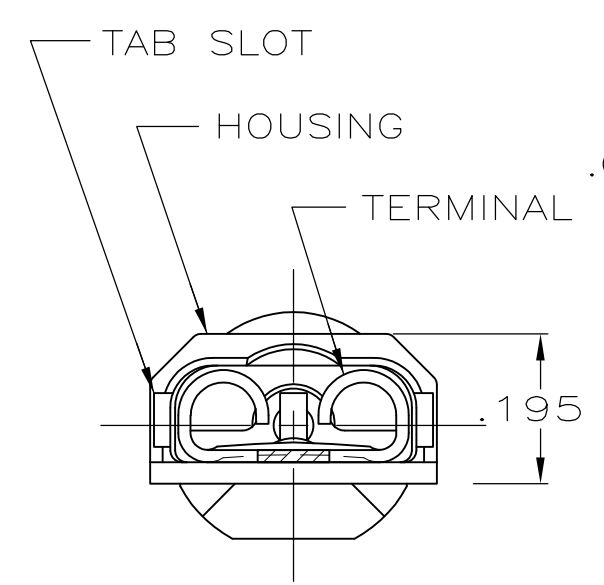
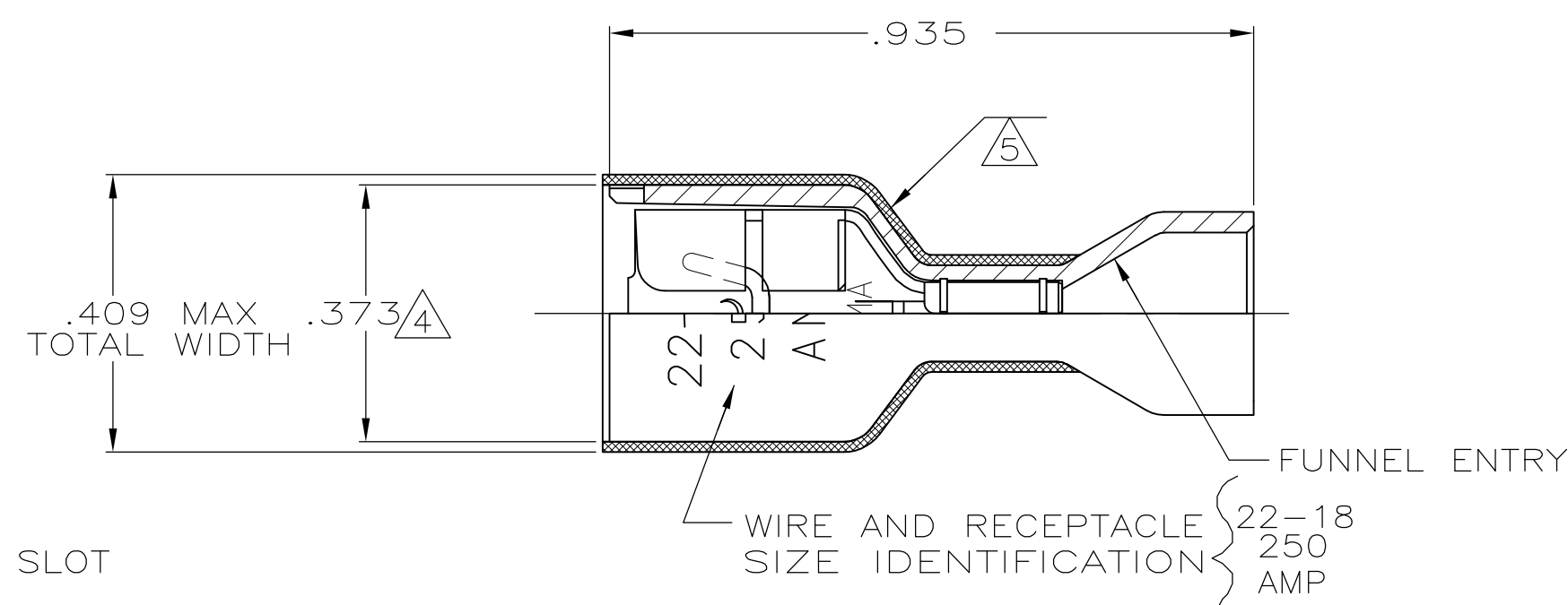


THIS DRAWING IS UNPUBLISHED. RELEASED FOR PUBLICATION  
 © COPYRIGHT - By - ALL RIGHTS RESERVED.

LOC	DIST	REVISIONS			
P	LTR	DESCRIPTION	DATE	DWN	APVD
AF	50	M	REVISED PER ECR-12-005303	18JUL12	KH KR

- 1 MATES WITH .032±.001x.250 TAB
- 2 WIRE STRIP LENGTH .281
- 3 INSULATION SIZE .230 MAX DIA
- △4 DIMENSION DOES NOT INCLUDE TRIM BURR
- △5 .015 MAX CARRIER TRIM BURR PER SIDE IS ALLOWABLE IN THE SHADED AREA



OBSOLETE	HOUSING: NYLON, COLOR-RED TRANSLUCENT RECEPTACLE: #3 HARD PH BRONZE, TIN	2-520264-4
	HOUSING: NYLON, COLOR-RED TRANSLUCENT RECEPTACLE: #3 HARD BRASS, TIN	2-520264-2
MATERIAL & FINISH		PART NO

THIS DRAWING IS A CONTROLLED DOCUMENT.		DWN P FORTNEY 9/30/88	TE Connectivity RECEPTACLE ASSY, ULTRA-FAST, LOOSE PIECE, .250 SERIES, 22-18 AWG				
DIMENSIONS: INCHES		CHK MS FEHER 9/30/88				NAME	
TOLERANCES UNLESS OTHERWISE SPECIFIED:		APVD K RANDOLPH 9/30/88				PRODUCT SPEC	
0 PLC ± - 1 PLC ± - 2 PLC ± - 3 PLC ± .015 4 PLC ± - ANGLES ± -		APPLICATION SPEC					
MATERIAL SEE TABLE	FINISH SEE TABLE	108-2043	114-2123	WEIGHT -	RESTRICTED TO -		
		SIZE A3	CAGE CODE 00779	DRAWING NO C-520264	SCALE 4:1		
		CUSTOMER DRAWING		SHEET 1 OF 1	REV M		