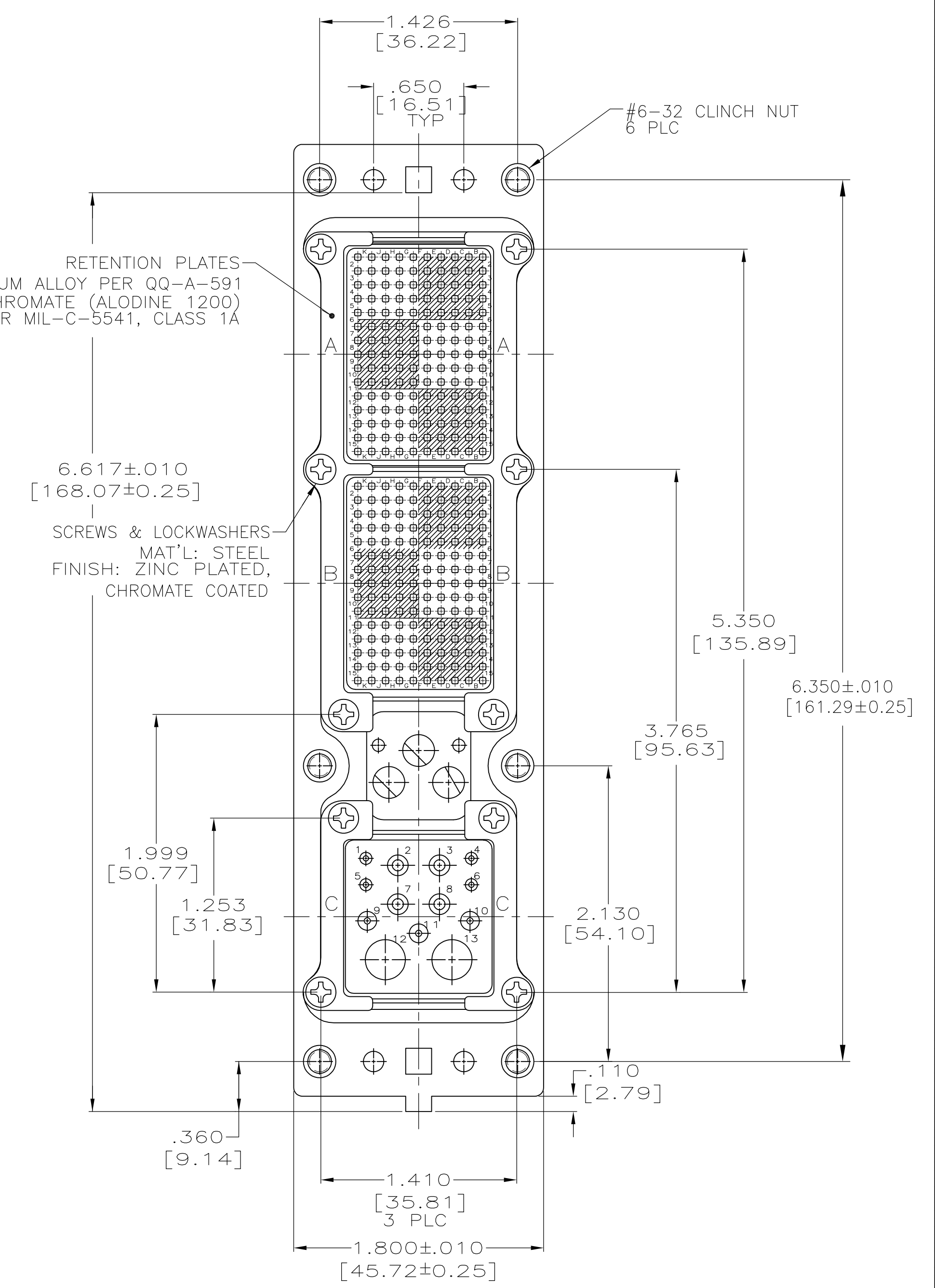
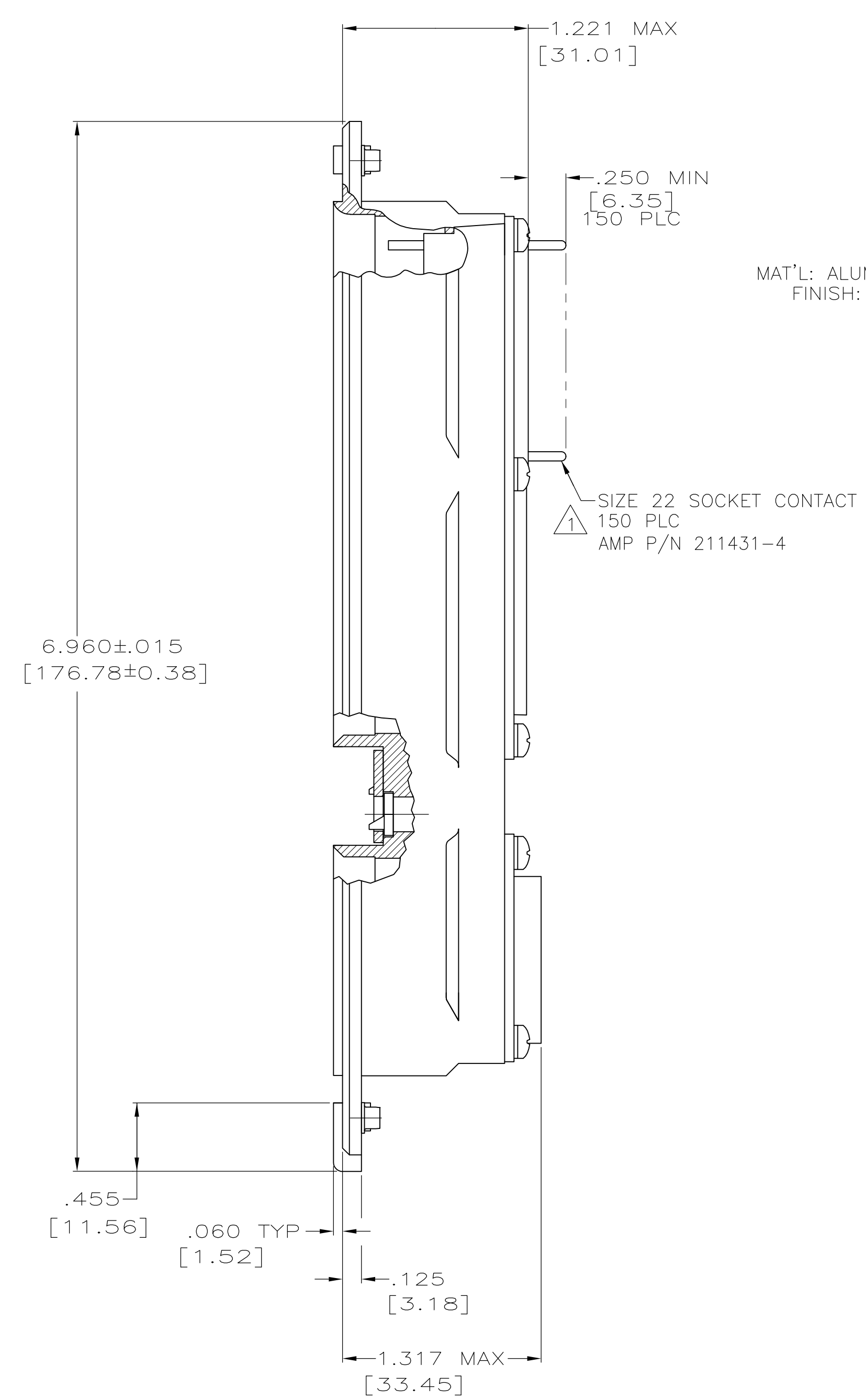
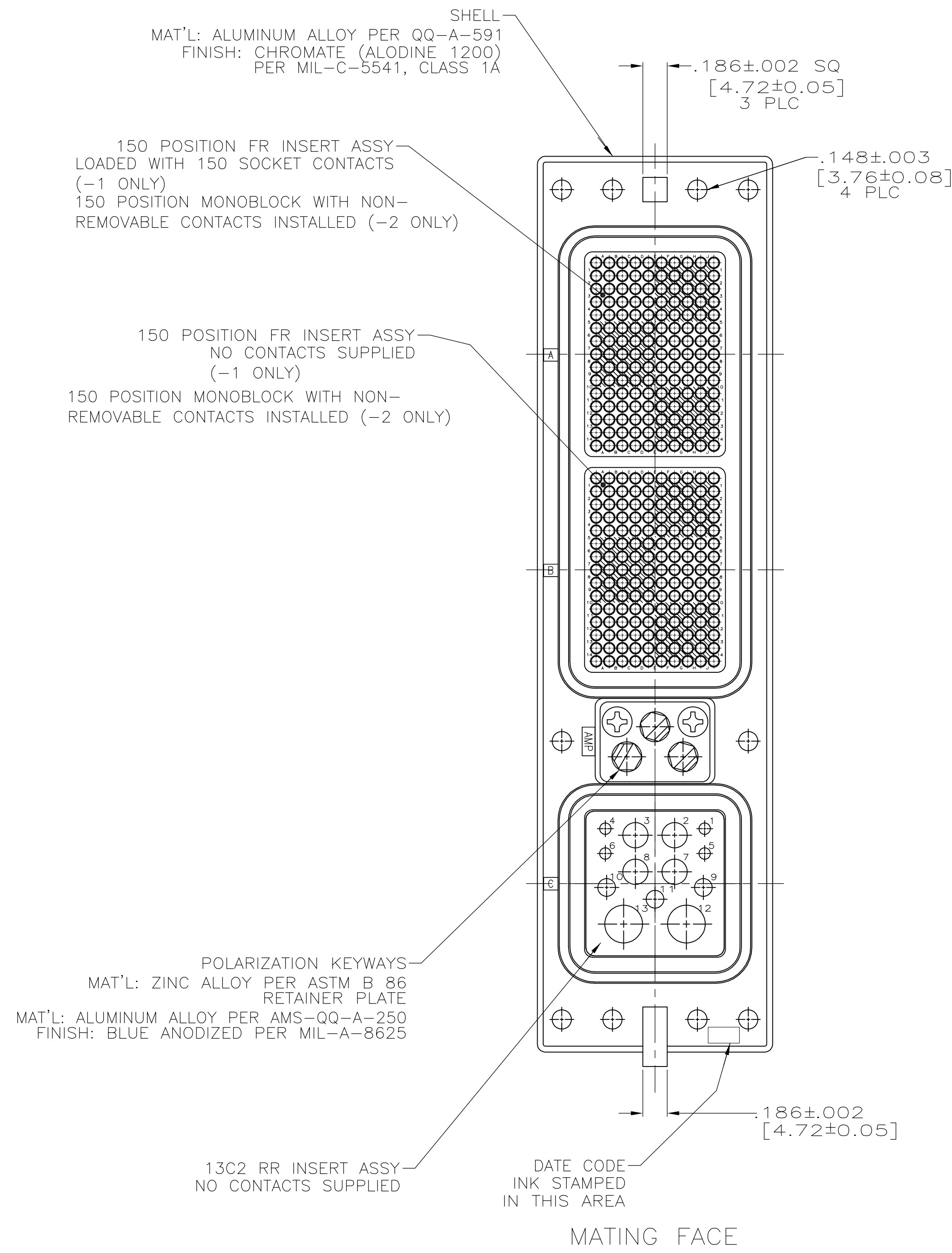


LOC		DIST		REVISIONS			
F	LTR	DESCRIPTION	DATE	DNW	APVD		
E		REV PER ECO 15-002091	2-23-15	CT	WB		



- CONTACTS ARE LOADED IN THE 150 POSITION INSERT IN MODULE "A" ONLY. (-1 ONLY)  
ALL OTHER CONTACTS ARE NOT SUPPLIED AND MUST BE ORDERED SEPARATELY.
- POLARIZING KEYS ARE INSTALLED IN POSITION 50.

WITH STAMPED & FORMED NON-REMOVABLE CONTACTS	1218657-2
	1218657-1
REMARKS	PART NO.

THIS DRAWING IS A CONTROLLED DOCUMENT.

APPROVED: S. GLATFELTER

DATE: 3-15-00

DESIGNED: C.C. THOMAS

DATE: 3-15-00

DRW: S. GLATFELTER

DATE: 3-15-00

TE Connectivity

CONNECTOR ASSY, SIZE 2  
CLASS (FA), RCPT, ARINC-600

SIZE: A1

CAGE CODE: 00779

DRAWING NO: 1218657

RESTRICTED TO: E

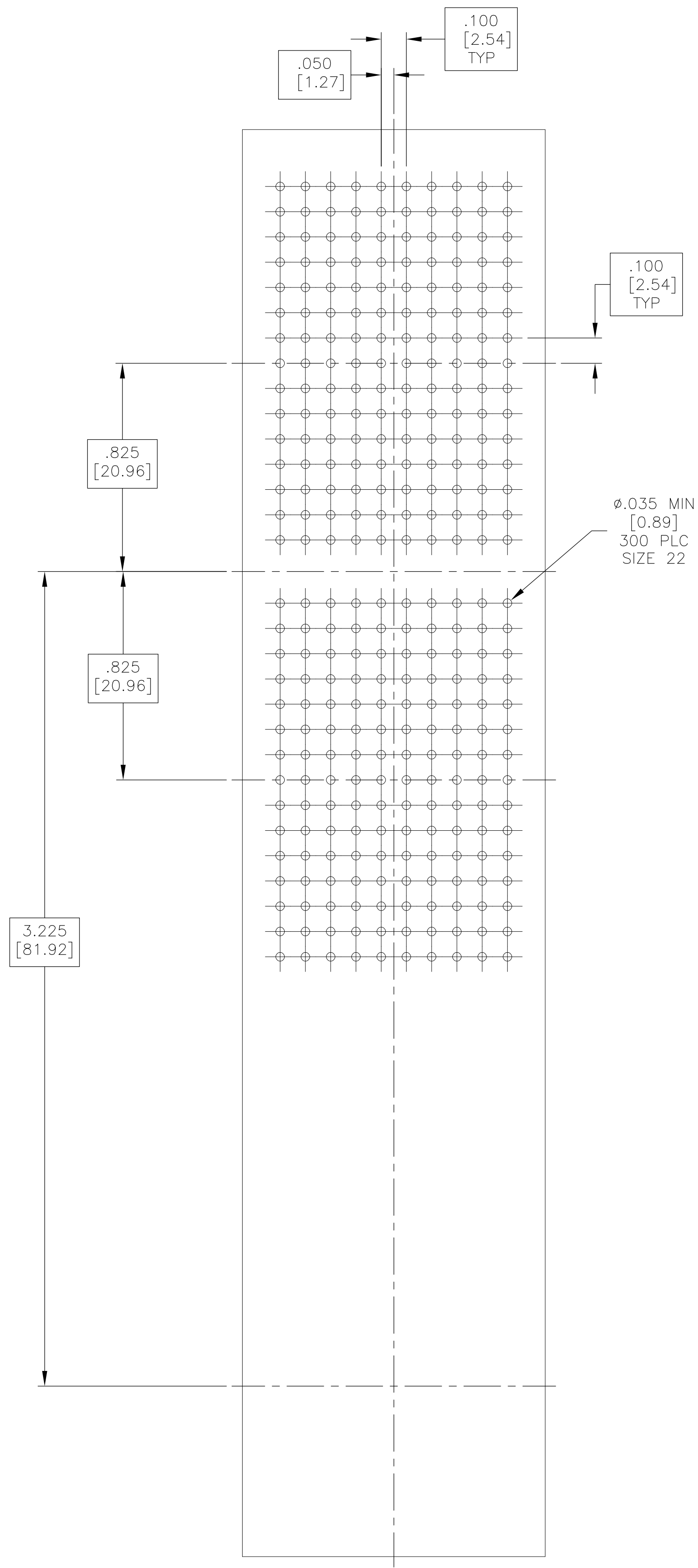
CUSTOMER DRAWING

SCALE: 3:2

SHEET: 1 OF 2

REV: E

LOC		DIST		REVISIONS			
P	LTR	DESCRIPTION	DATE	DNW	APVD		
-	-	SEE SHEET-1	-	-	-	-	-



RECOMMENED P.C.BOARD LAYOUT  
 SCALE 3:1

THIS DRAWING IS A CONTROLLED DOCUMENT.		DIN C.C.THOMAS 3-15-00	TE Connectivity	
		CHK S.GLATFELTER 3-15-00		
DIMENSIONS: INCHES		TOLERANCES UNLESS OTHERWISE SPECIFIED:		APVD S.GLATFELTER 3-15-00
		0 PLC ± -	NAME CONNECTOR ASSY, SIZE 2 CLASS (FA), RCPT, ARINC-600	
		1 PLC ± -	PRODUCT SPEC	
		2 PLC ± -	APPLICATION SPEC	
		3 PLC ± .005 [0.13]	SIZE A1	
		4 PLC ± -	CAGE CODE 00779	
		ANGLES 40° 40'	DRAWING NO 1218657	
MATERIAL SEE CALLOUTS	FINISH SEE CALLOUTS	WEIGHT -	RESTRICTED TO -	
CUSTOMER DRAWING		SCALE 3:2	SHEET 2	OF 2