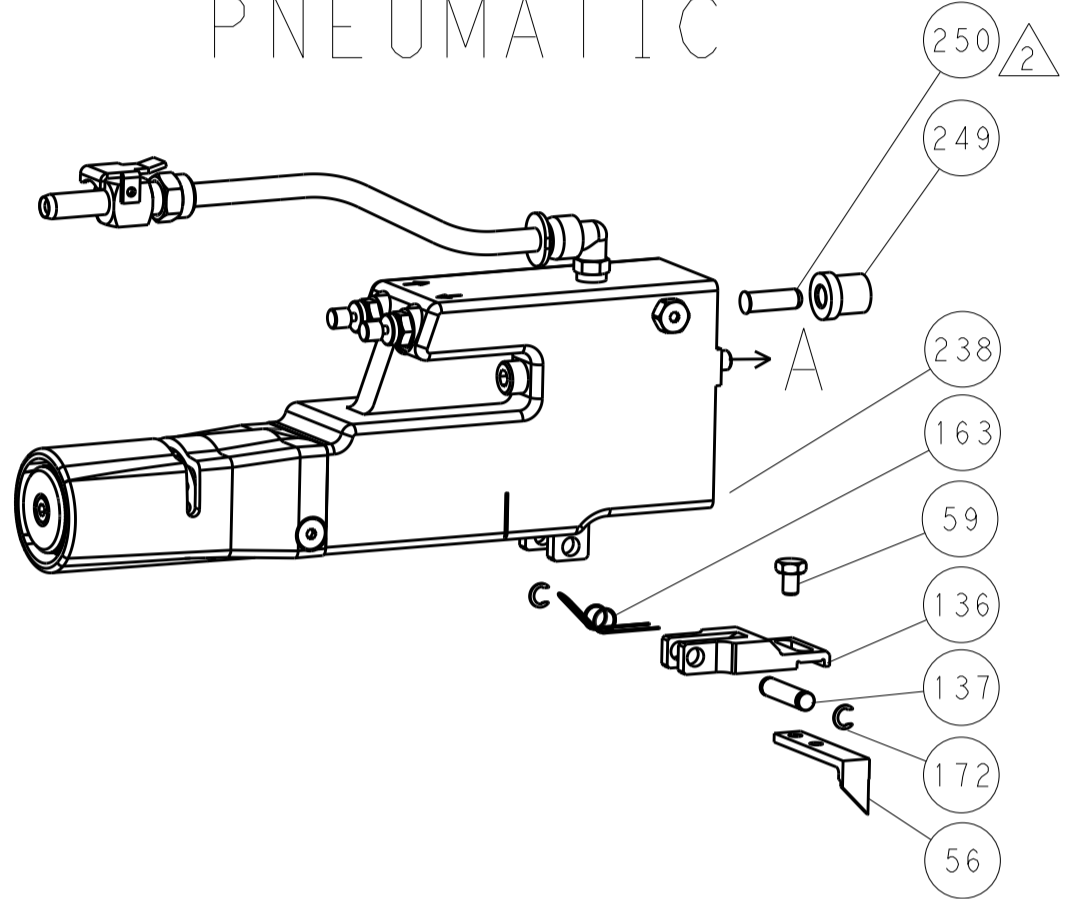


LOC		DIST		REVISIONS			
A	66	P	LTN	DESCRIPTION	DATE	DWN	APVD
-	-	-	-	SEE SHEET 1	-	-	-

FEED TYPE MECHANICAL



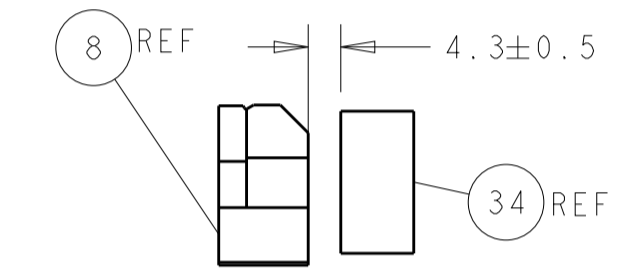
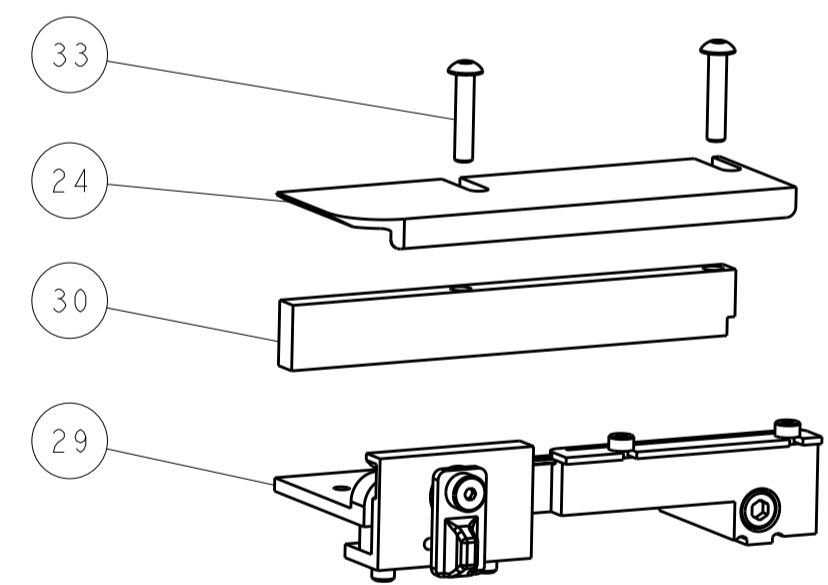
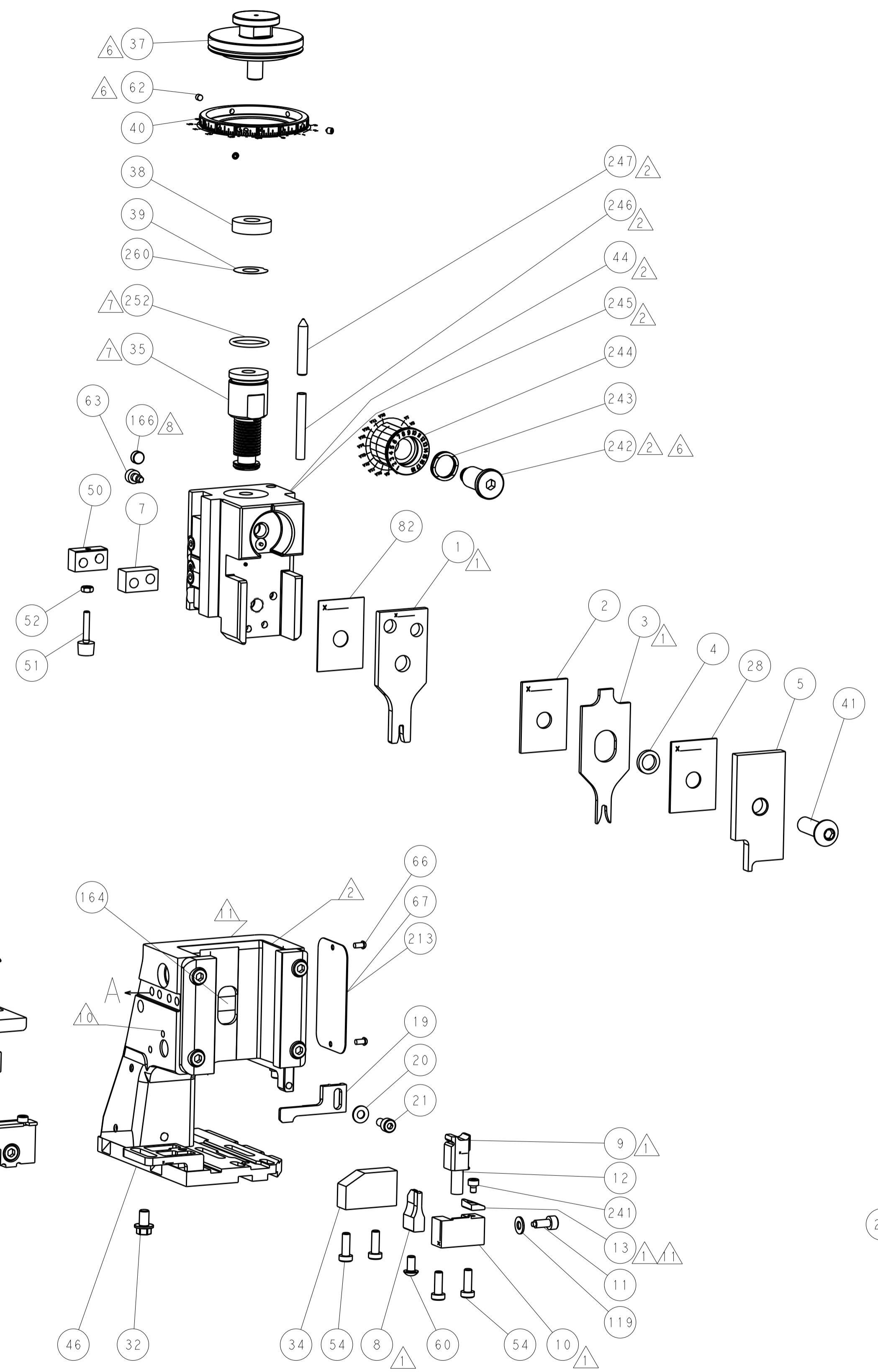
PNEUMATIC



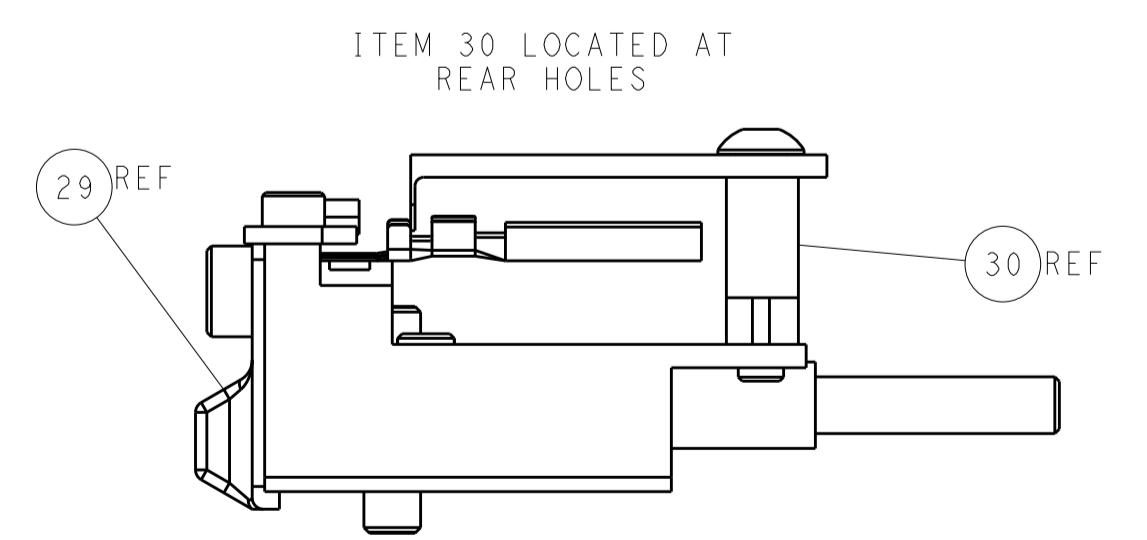
SERVO LATCH PLATE



CAM POSITIONS



TERMINAL SUPPORT LOCATION



FEED TRACK POSITION GUIDE BY INSULATION BARREL

ATLANTIC VERSION
 Shown on sheets 1 of 4 & 2 of 4
 (Pacific version shown on sheets 3 of 4 & 4 of 4)

DIMENSIONS:		TOLERANCES UNLESS OTHERWISE SPECIFIED:		DWN R. HUANG 16AUG2012		TE Connectivity Harrisburg, PA 17105-3608	
mm	0 PLC	±		CHK S. XI 16AUG2012	NAME	Ocean Side Feed Applicator	
	1 PLC	±		APVD S. XI 16AUG2012	PRODUCT SPEC	RESTRICTED TO	
	2 PLC	±			APPLICATION SPEC	SIZE CAGE CODE DRAWING NO	
	3 PLC	±			WEIGHT	A1 00779 ©=2151364	
	4 PLC	±			Customer Accessible Production Drawing	SCALE	1:2 SHEET 2 OF 4 REV A1
	ANGLES	±					

LOC		DIST		REVISIONS			
A	66	P	LTM	DESCRIPTION	DATE	OWN	APVD
-	-	-	-	SEE SHEET 1	-	-	-

FEED TYPE MECHANICAL



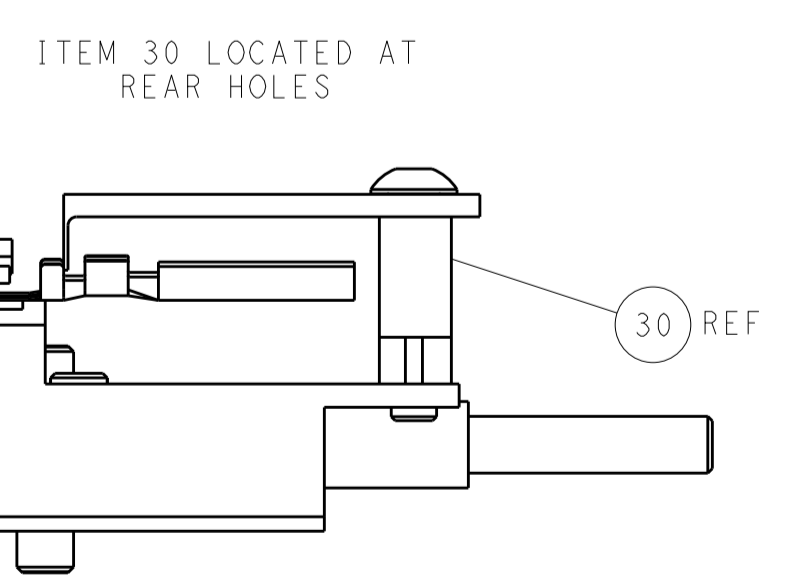
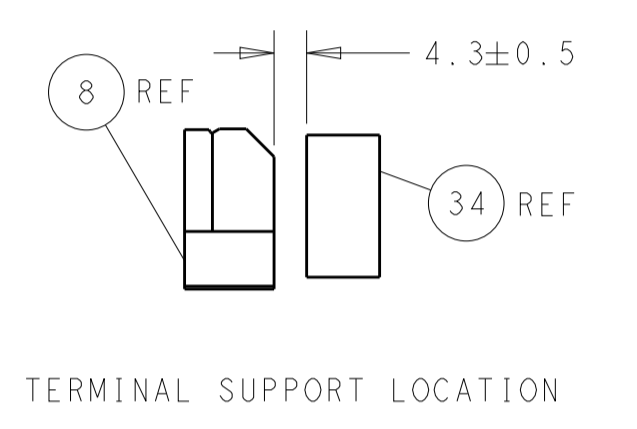
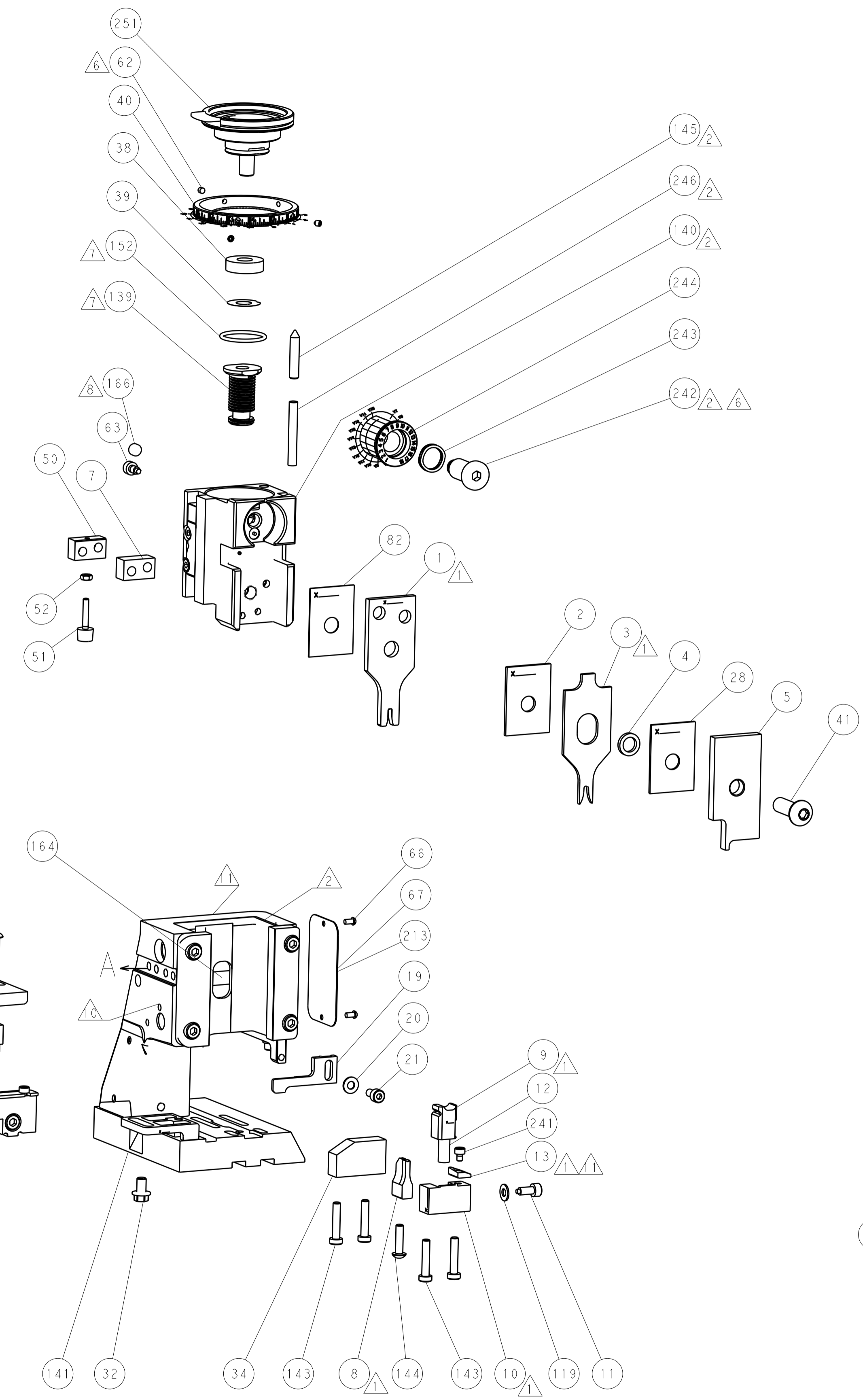
PNEUMATIC



SERVO LATCH PLATE



CAM POSITIONS



FEED TRACK POSITION
GUIDE BY INSULATION BARREL

PACIFIC VERSION
 Shown on sheets 3 of 4 & 4 of 4
 (Atlantic version shown on sheets 1 of 4 & 2 of 4)

DIMENSIONS:		TOLERANCES UNLESS OTHERWISE SPECIFIED:		DWN R. HUANG 16AUG2012		STE TE Connectivity Harrisburg, PA 17105-3608	
mm	0 PLC	±		CHK S. XI 16AUG2012	NAME	Ocean Side Feed Applicator	
	1 PLC	±		APVD S. XI 16AUG2012	SIZE	CAGE CODE	DRAWING NO
	2 PLC	±		PRODUCT SPEC	A1	00779	©=2151364
	3 PLC	±		APPLICATION SPEC	Customer Accessible Production Drawing	SCALE	1:2
	4 PLC	±		WEIGHT		SHEET	4 of 4
	ANGLES	±		MATERIAL		REV	A1
	FINISH			RESTRICTED TO			