

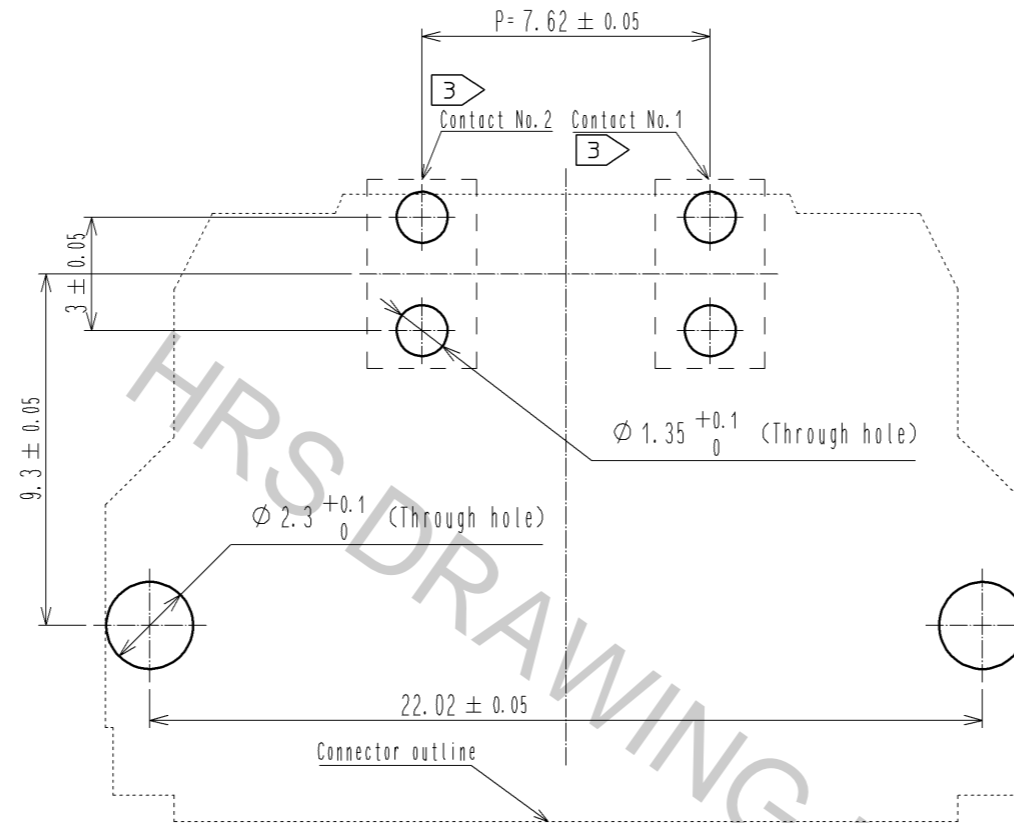
NOTE 1 This product is packaged in tray.(30pcs/tray)  
 2 Blemish and hit mark can be occurred through out the manufacturing process which doesn't affect quality level.  
 Also, black spot could be observed on the surface of housing.  
 3 For the contact NO., adjacent two pairs of leads placed back-to-back (4 leads in total) Compose one line.  
 4 Misalignment absorbing range: ±0.3mm max.  
 5 The dimension in parentheses are for references.  
 6 Lot NO. is indicated at either one of the position as shown.  
 7 Possible short shot and/or burr at the indicated area does not affect the product quality.

2	Copper alloy	Contact area:Gold-plating 0.1μm Lead area:Tin-plating 1.0μm Under plating:Nickel 1.0μm	4	Phosphor bronze	Tin-plating 3.0μm Under plating:Nickel 1.0μm
1	Polyamide	Black UL94V-0	3	Copper alloy	Contact area:Gold-plating 0.1μm Lead area:Tin-plating 1.0μm Under plating:Nickel 1.0μm
NO.	MATERIAL	FINISH . REMARKS	NO.	MATERIAL	FINISH . REMARKS

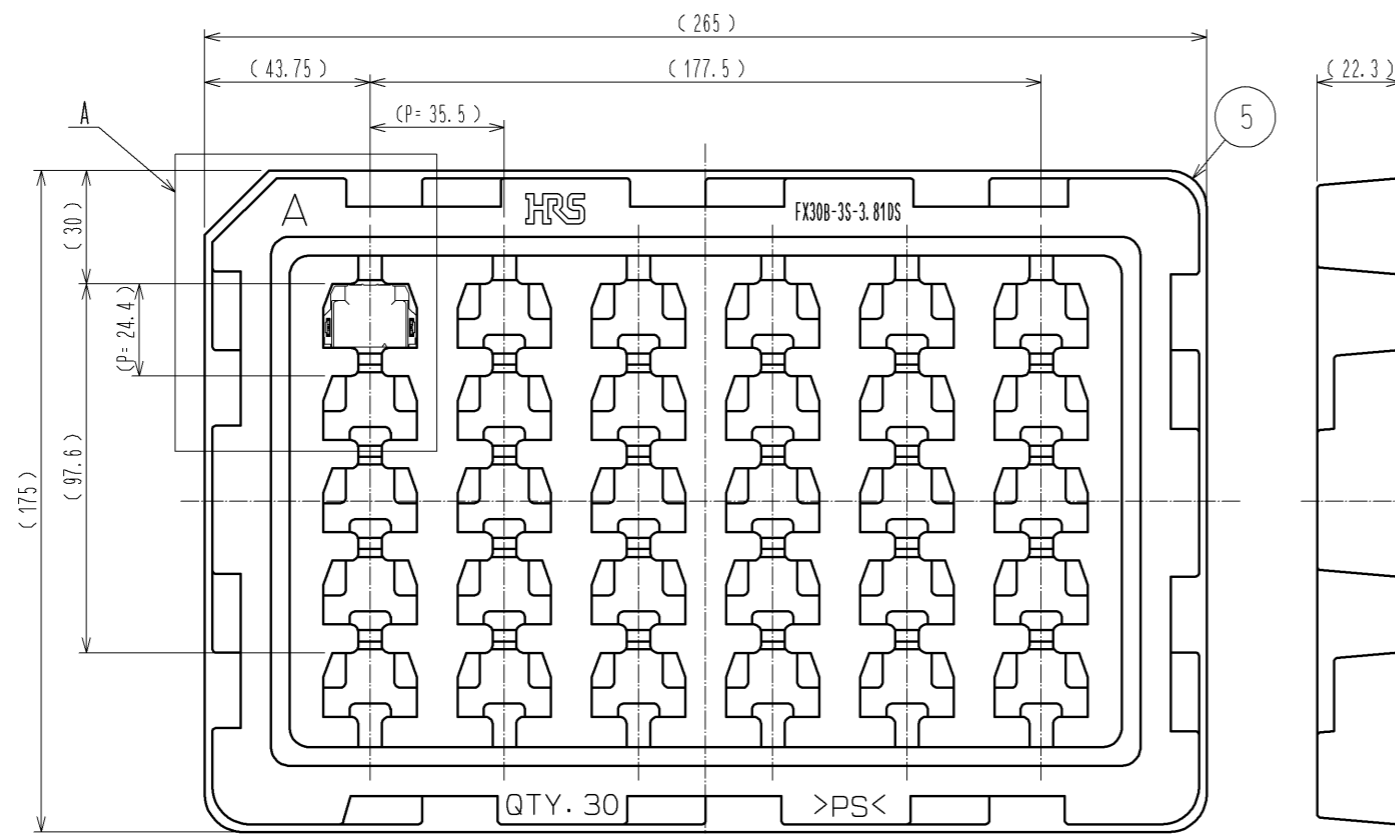
  

UNITS mm		SCALE 2 : 1	COUNT 	DESCRIPTION OF REVISIONS	DESIGNED	CHECKED	DATE
APPROVED : HS. OKAWA 14.09.12				DRAWING NO.	EDC3-350408-00		
CHECED : KN. SHIBUYA 14.09.12				PART NO.	FX30B-2S-7.62DS		
DESIGNED : DK. AIMOTO 14.09.12				CODE NO.	CL570-3604-7-00		
DRAWN : DK. AIMOTO 14.09.12				1/2			

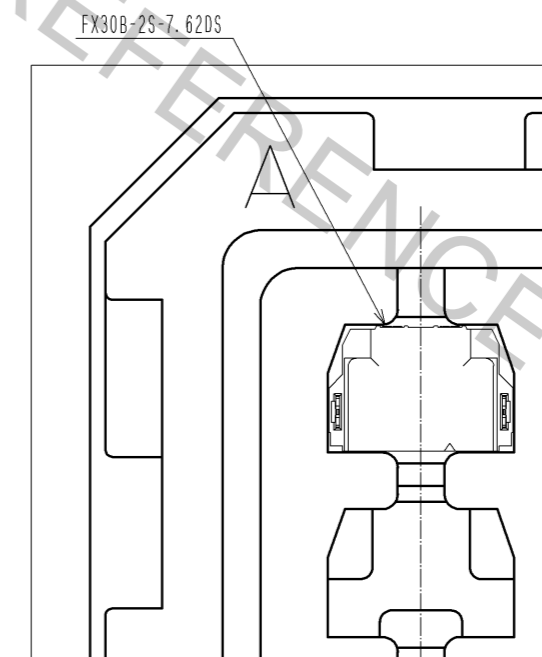
Recommended hole pattern dimension of PCB(5:1)  
 (Connector mounting side, PCB thickness:t=1.6mm)



1 Drawing for packaging(1:2)



A(1:1)



<b>HRS</b>	DRAWING NO.	EDC3-350408-00	△ 2/2
	PART NO.	FX30B-2S-7.62DS	
	CODE NO.	CL570-3604-7-00	