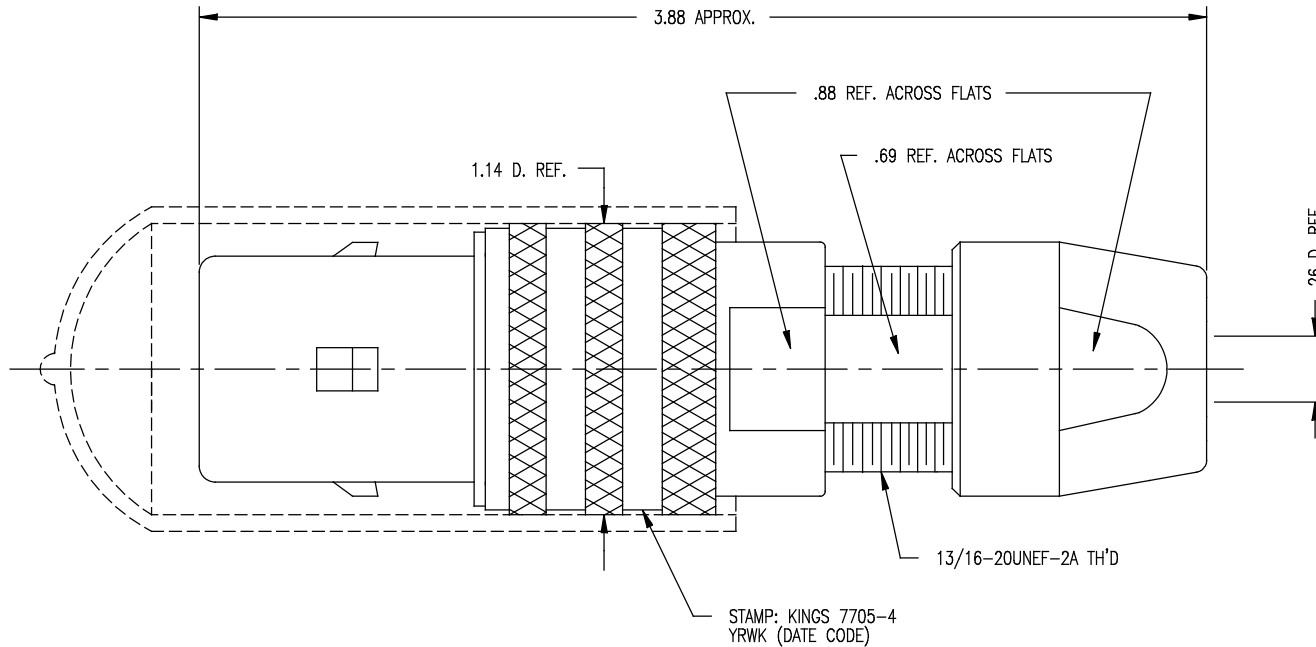


DASH NO.	M CODE	MADE FROM
----------	--------	-----------

GSD

7705-4

REVISIONS	
ISSUE	CHANGES
0	ER 37088 KH 08/07/96
1	CN 38024 E HVN 07/06/00
2	CN 38122 C BDH 11/08/00



KAM6260

SCALE 2:1	
APPROX SURFACE AREA	
WAS: E-19091	
USED ON	
REF:	
PLUG, TRI-LOC (SERIAL DIGITAL)	
DRAWN KH	DATE 12/01/95
DESIGN FD	DATE 12/02/95
APPR. FD	DATE 12/11/95

NOTES:

- FOR USE WITH BELDEN 88232 & COMM SCOPE 8000257 (780 CABLE GROUP).
- FOR CABLING INSTRUCTIONS SEE KAI-8010.
- FOR CRIMPING USE DIE KTH-2002.
- MATERIALS:
INSULATORS: TEFLON, ASTM-D-4894
CONDUCTIVE GASKET: CONSIL C 87-10004
GASKETS: SILICONE RUBBER, ZZ-R-765
K-GRIP SLEEVE: COM. BRONZE TUBE, ASTM-B-135
OUTER CONTACT: PHOSPHOR BRONZE, ASTM-B-103
FINGER BODY: BER. COPPER, ASTM-B-196
CENTER CONTACT TIP: DELRIN
CAP: VINYL
ALL OTHER METAL PARTS: BRASS, ASTM-B16

- FINISHES:
CENTER CONTACT: HARD GOLD PLATE, PER MIL-G-45204
NUT } KINGS TARNISH RESISTANT NICKEL FINISH (TR-5)
COLLET }
OUTER BODIES }
ALL OTHER METAL PARTS: SILVER PLATE, PER QQ-S-365
- ELECTRICAL CHARACTERISTICS:
NOMINAL IMPEDANCE: 75 OHMS
FREQUENCY RANGE: DC-500 MHZ
VOLTAGE BREAKDOWN: CENTER CONDUCTOR/INNER GROUND: 1500 VRMS
INNER GROUND/OUTER GROUND: 500 VRMS

GSD

KINGS
ELECTRONICS CO., INC.
ROCK HILL, SOUTH CAROLINA 29730

7705-4