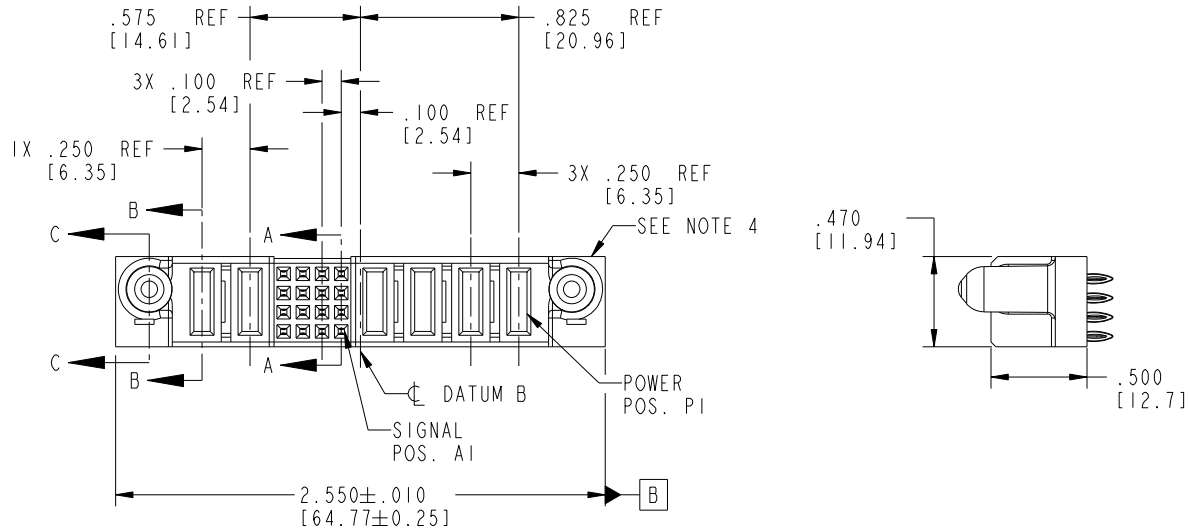


Tous droits strictement réservés. Reproduction ou communication a des tiers interdite sous quelque forme que ce soit sans autorisation écrite du propriétaire. Propriété de c FCI. Droits de reproduction FCI.



All rights strictly reserved. Reproduction or issue to third parties in any form whatever is not permitted without written authority from the proprietor. Property of FCI. Copyright FCI.

PRODUCT NO. 51750-059-- Note: ③	ROWS D C B A	POWER			SIGNAL				POWER				E1
		E2	P6	P5	4	3	2	1	P4	P3	P2	P1	



CODE	DIM "M" MATING LENGTH	CONTACT TYPE
F	N/A [N/A]	SIGNAL
PC	.042 [1.07]	POWER
PF	.092 [2.34]	POWER

mat'l code				SEE NOTE 2		tolerances unless otherwise specified		CUSTOMER		 www.fciconnect.com	
ltr	ecn no.	dr	date	linear	.XX±.01/0.X±0.3	projection		title 4P + 16S + 2P			
A	V04-0348	TAB	04/08/04		.XXX±.005/0.XX±0.13			VERTICAL PRESS-FIT RECEPT			
B	DG05-0171	GuoJM	06/17/05	angles	.XXX±.0020/0.XXX±0.051			product family PwrBlade		code 213	
C	DG08-0251	W D	09/13/08		0°±2°	scale 1:1		size A		sheet 1 of 4	
sheet index		revision sheet		C	C	C	C	A		51750-059	
		1 2		3	4						

Pro/E

PDM: Rev: C

STATUS: Released

Printed: Dec 20, 2010

1 | 2

3 |

4

A

A

B

B

cage code 28556

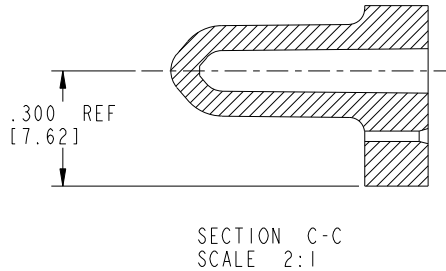
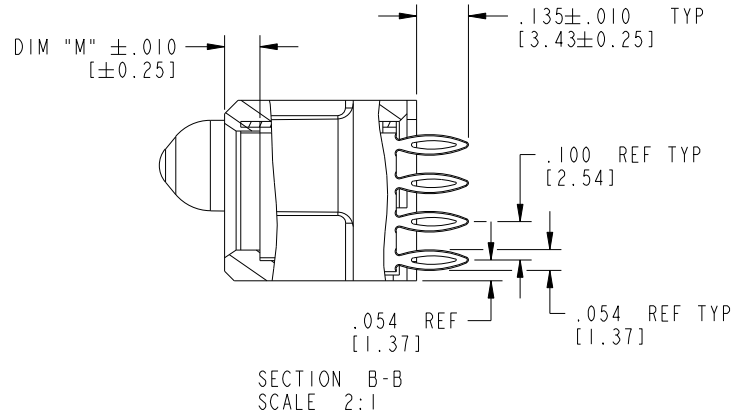
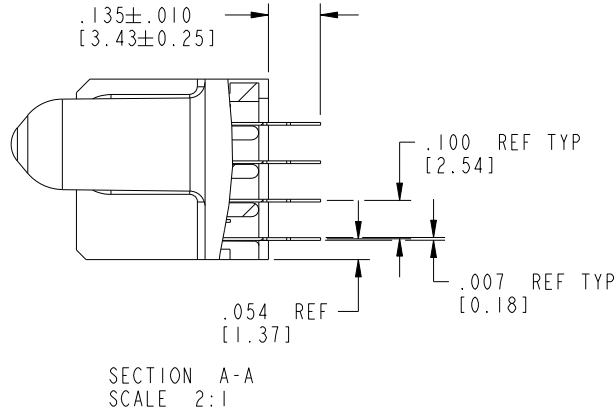
4

Tous droits strictement réservés. Reproduction ou communication a des tiers interdite sous quelque forme que ce soit sans autorisation écrite du propriétaire. Propriété de c FCI. Droits de reproduction FCI.

All rights strictly reserved. Reproduction or issue to third parties in any form whatever is not permitted without written authority from the proprietor. Property of FCI. Copyright FCI.



PRODUCT NUMBER
51750-059__
Note: (3)



mat'l code		SEE NOTE 2		tolerances unless otherwise specified		CUSTOMER		FCI	
lfr	ecn no.	dr	date	linear	.XX±.01/0.X±0.3	COPY		www.fciconnect.com	
C				projection	.XXY±.005/0.XX±0.13			title 4P + 16S + 2P	
				angles	.XXX±.0020/0.XXX±0.051			VERTICAL PRESS-FIT RECEPT	
				dr	T. BRUNGARD 04/08/04	INCH/MM		product family PwrBlade	
				engr	M. GRAY 04/08/04	scale 1:1		code 213	
				chr	M. GRAY 04/08/04			size dwg no	
				appd	M. GRAY 04/08/04			A 51750-059	
sheet index		revision sheet						sheet 2 of 4	

Pro/E

PDM: Rev: C

STATUS: Released

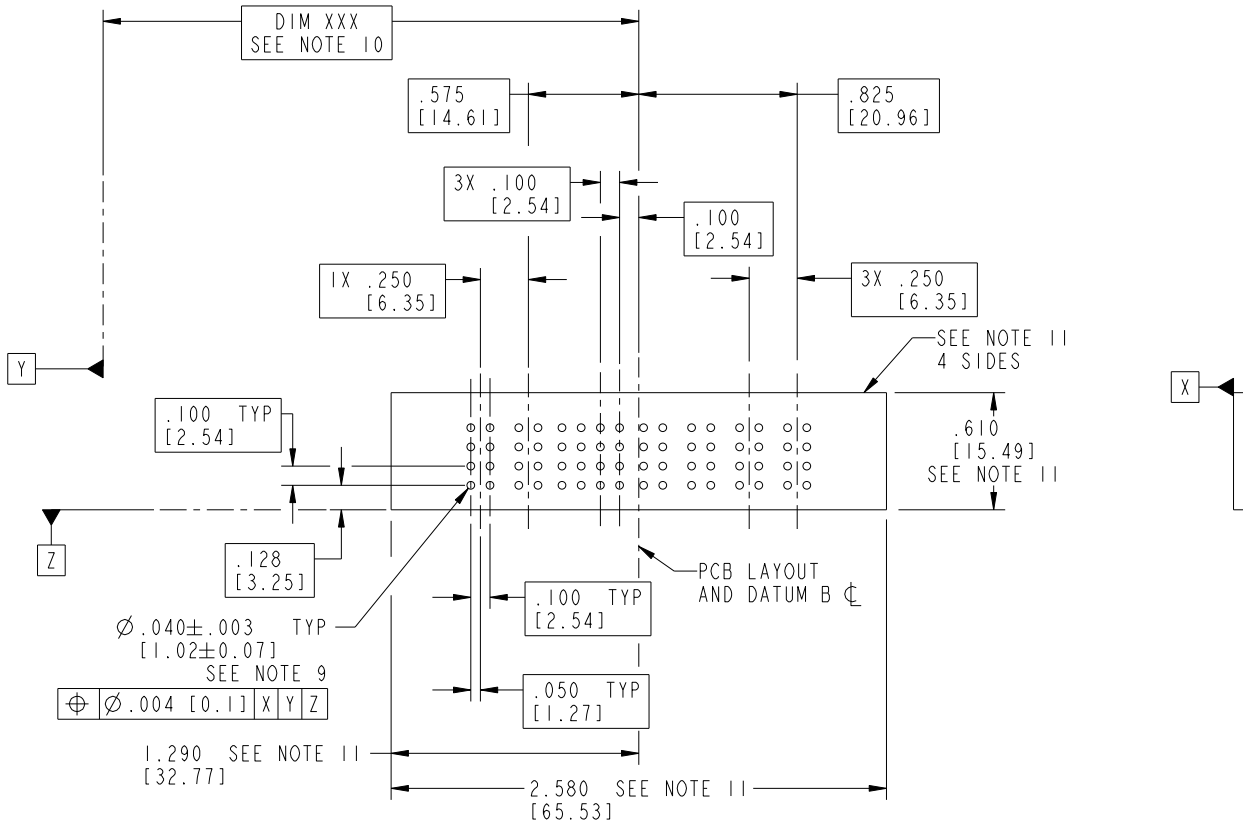
Printed: Dec 20, 2010

Tous droits strictement réservés. Reproduction ou communication a des tiers interdite sous quelque forme que ce soit sans autorisation écrite du propriétaire. Propriété de c FCI. Droits de reproduction FCI.

All rights strictly reserved. Reproduction or issue to third parties in any form whatever is not permitted without written authority from the proprietor. Property of FCI. Copyright FCI.



PRODUCT NUMBER
51750-059__
Note:③



RECOMMENDED PCB LAYOUT

mat'l code		SEE NOTE 2		tolerances unless otherwise specified		CUSTOMER		FCI	
ltr	ecn no.	dr	date	linear	.XX±.01/0.X±0.3	COPY		www.fciconnect.com	
C				angles	.XXY±.005/0.XX±0.13	projection		title 4P + 16S + 2P	
					.XXX±.0020/0.XXX±0.051	INCH/MM		VERTICAL PRESS-FIT RECEPT	
				dr	0°±2°	scale		product family PwrBlade code 213	
				enrg	T. BRUNGARD 04/08/04	1:1		size dwg no 51750-059 sheet 3 of 4	
				enrg	M. GRAY 04/08/04				
				chr	M. GRAY 04/08/04				
				appd	M. GRAY 04/08/04				
sheet index	revision sheet								

cage code 28526

Pro/E

PDM: Rev: C

STATUS: Released

Printed: Dec 20, 2010

PRODUCT NUMBER
 51750-059__
 Note: (3)

NOTES:

1. DIMENSIONS AND TOLERANCES ARE IN ACCORDANCE WITH ASME Y14.5M, 1994 UNLESS OTHERWISE SPECIFIED.

CONNECTOR NOTES:

(2) HOUSING MATERIAL: UL 94 V-0 GLASS FILLED HIGH-TEMP THERMOPLASTIC
 POWER CONTACT MATERIAL: COPPER ALLOY
 SIGNAL PIN MATERIAL: COPPER ALLOY

(3) SEE ITEM 7 & 8 IN PRINT 10064183 FOR PLATING SPEC OF 51750-059 AND 51750-059LF RESPECTIVELY.

(4) MANUFACTURER'S NAME, P/N, AND DATE CODE TO APPEAR ON THIS SURFACE.

5. PRODUCT SPECIFICATION GS-12-149.
APPLICATION SPECIFICATION BUS-20-067.

6. PACKAGED IN TRAYS.

PCB NOTES:

7. ALL HOLE DIAMETERS ARE FINISHED HOLE SIZE.

(8) MOUNTING HOLES, WHERE APPLICABLE, ARE UNPLATED.

(9) $\varnothing .0453 \pm .0010$ [1.151 \pm 0.025] DRILLED HOLES PLATED WITH
 .0003 [0.008] MIN SnPb OVER .001 [0.03]
 TO .003 [0.08] Cu PLATING TO ACHIEVE
 $\varnothing .040 \pm .003$ [1.02 \pm .07] HOLE.

(10) "DIM XXX" TO BE DETERMINED BY THE CUSTOMER.

(11) CONNECTOR KEEP-OUT ZONE.

12. A (3) SYMBOL WILL BE NEXT TO ANY DIMENSION, VIEW, OR NOTE WHICH HAS BEEN MODIFIED WITH THE CURRENT DRAWING REVISION.

mat'l code		SEE NOTE 2		tolerances unless otherwise specified		CUSTOMER		FCJ	
lir	ecn no.	dr	date	linear	.XX \pm .01 / 0.X \pm 0.3	COPY		www.fciconnect.com	
C				projection	.XXX \pm .005 / 0.XX \pm 0.13			title 4P + 16S + 2P	
				angles	.XXX \pm .0020 / 0.XXX \pm 0.051			VERTICAL PRESS-FIT RECEPT	
				dr	0° \pm 2°	INCH/MM		product family PwrBlade	
				enrg	T. BRUNGARD 04/08/04	scale		code 213	
				chr	M. GRAY 04/08/04	1:1		size A	
				appd	M. GRAY 04/08/04			dwg no 51750-059	
sheet index	revision sheet							sheet 4 of 4	

Tous droits strictement réservés. Reproduction ou communication a des tiers interdite sous quelque forme que ce soit sans autorisation écrite du propriétaire. Propriete de c FCI. Droits de reproduction FCI.



All rights strictly reserved. Reproduction or issue to third parties in any form whatever is not permitted without written authority from the proprietor. Property of FCI. Copyright FCI.