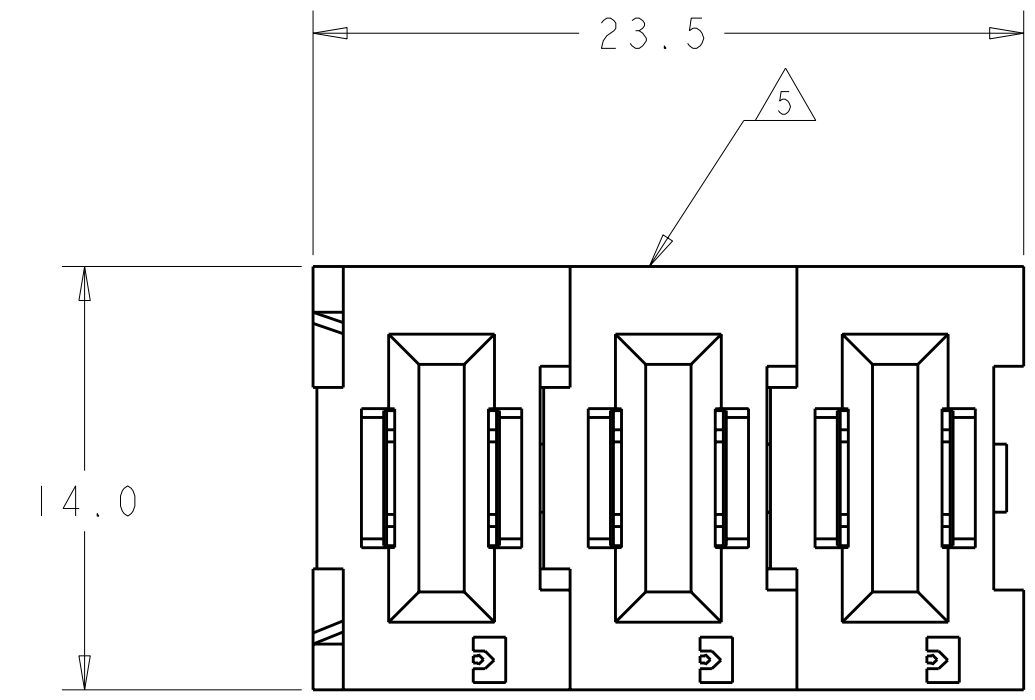


LOC	DIST	REVISIONS			
P	LTR	DESCRIPTION	DATE	DWN	APVD
GP	00				
	C	REV PER ECO-08-019721	26AUG2008	RG	PD
	D	REV PER ECO-08-025026	14OCT2008	RG	PD



1. PART NUMBER CHANGES AND OR DESIGN CHANGES AFFECTING ITEM INTERCHANGEABILITY REQUIRE PRIOR TYCO ELECTRONICS APPROVAL AND AUTHORIZATION BY REVISION TO THIS DRAWING.

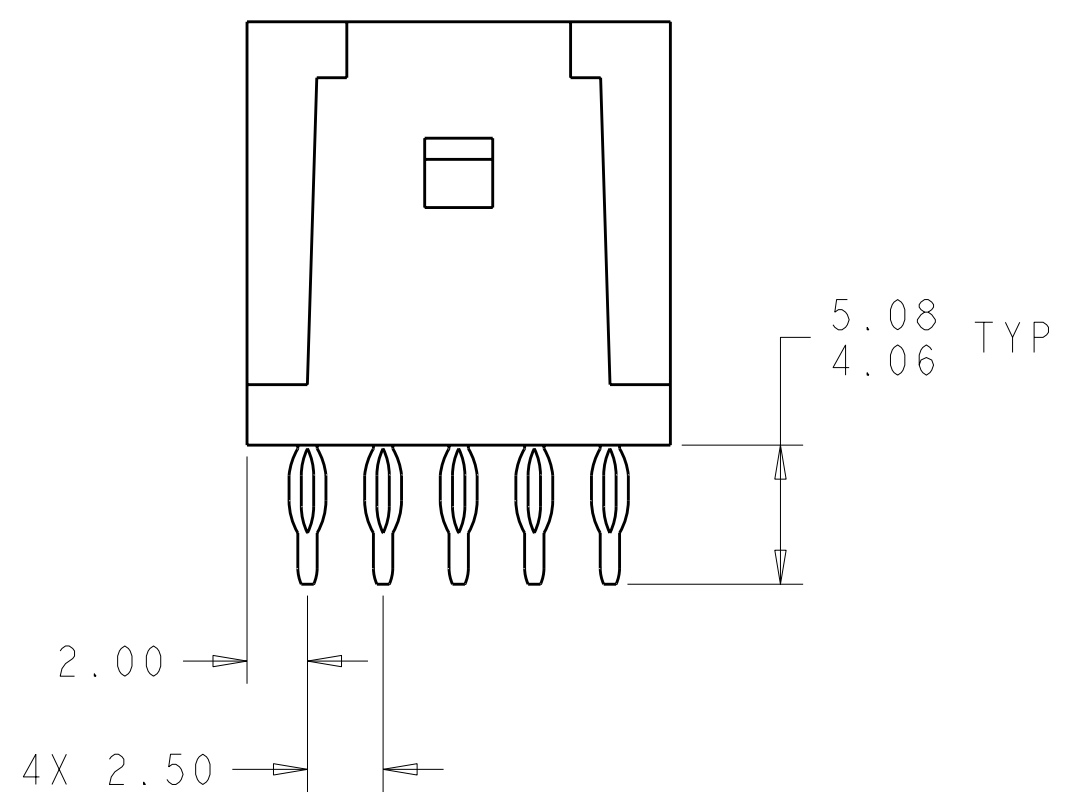
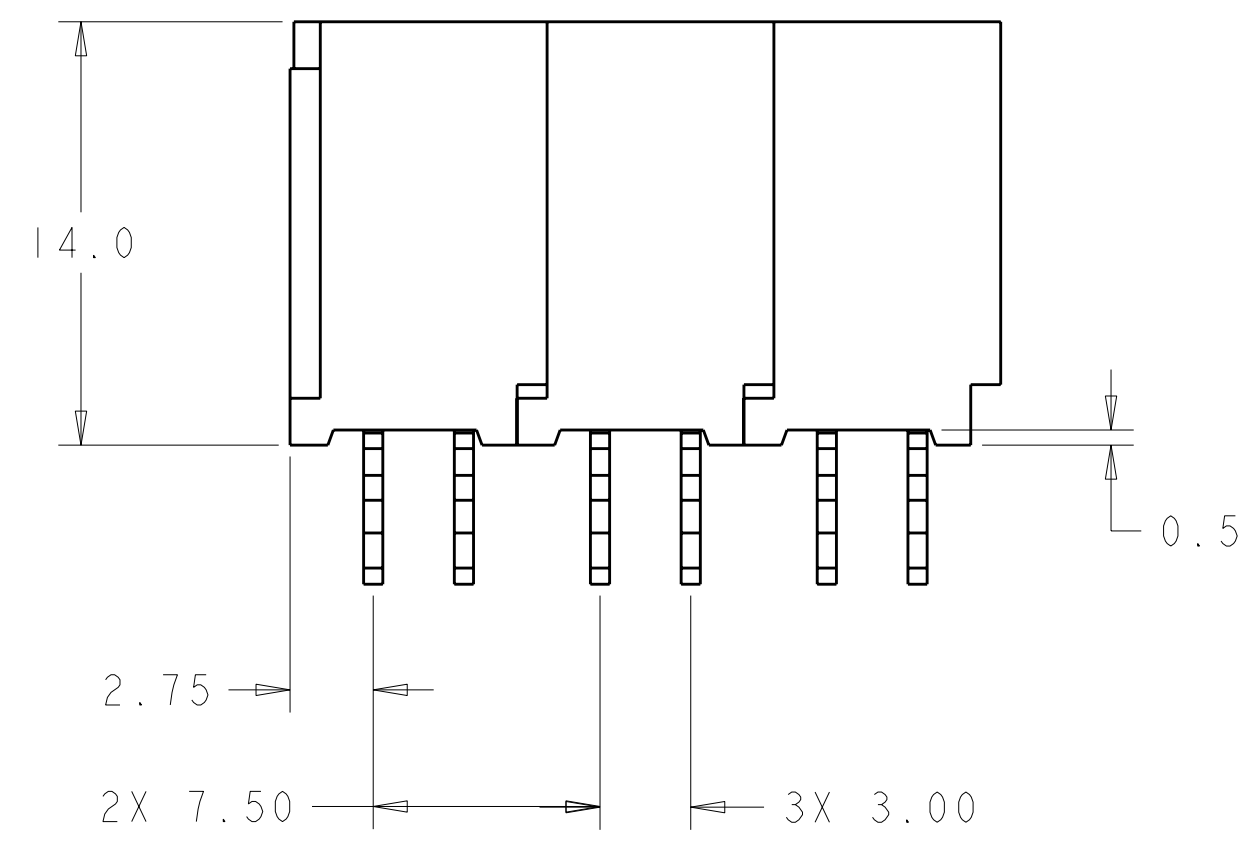
△ MATERIAL:
 INSULATORS - THERMOPLASTIC, GLASS REINFORCED, COLOR: BLACK
 UL94V-0 FLAMMABILITY RATED.
 POWER CONTACTS - PHOSPHOR BRONZE ALLOY, COPPER ALLOY
 CROWN BANDS - BERYLLIUM COPPER ALLOY

△ FINISH:
 CONTACTS - GOLD PLATE .76µm MIN. THK. OVER NICKEL
 1.27µm MIN. THK
 COMPLIANT TAILS, TIN/LEAD 2.54µm MIN. THK.
 OVER NICKEL 1.27µm MIN THK.

4. THIS CONNECTOR MATES WITH SOCKET CONNECTOR P/N 1646904-1

△ ITEMS PROVIDED TO THIS SPECIFICATION TO BE PERMANENTLY IDENTIFIED ON THE CONTAINER PER THE FOLLOWING IDENTIFIER LABEL
 YEAR WEEK

TYCO ELECTRONICS P/N DATE CODE (e.g. 0106)
 XXXXXXXX-X XXXX



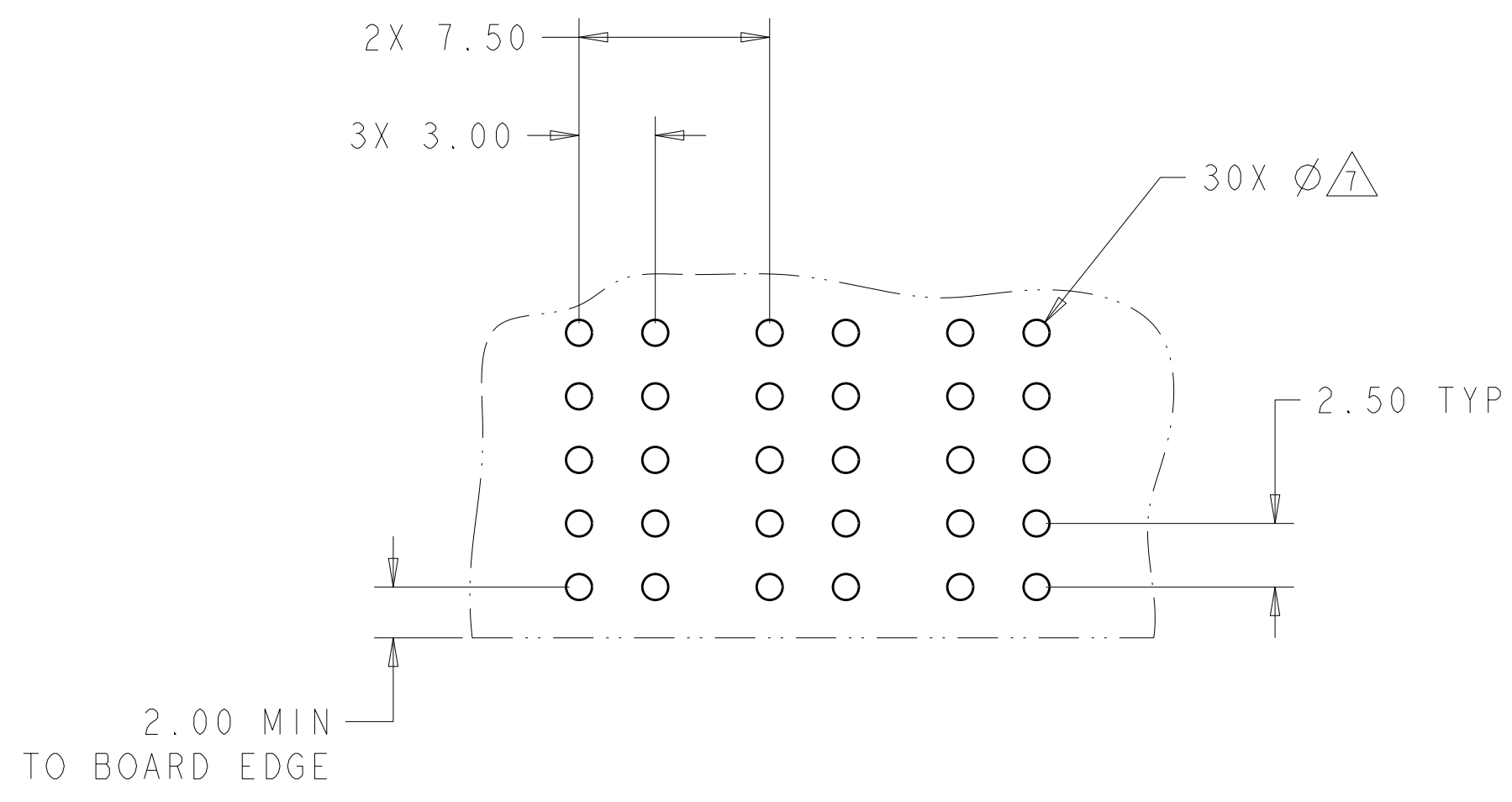
AS SHOWN	1646505-1
DESCRIPTION	PART NUMBER

THIS DRAWING IS A CONTROLLED DOCUMENT FOR TYCO ELECTRONICS CORPORATION. IT IS SUBJECT TO CHANGE AND THE CONTROLLING ENGINEERING ORGANIZATION SHOULD BE CONTACTED FOR THE LATEST REVISION.		DWN HA/GRZYBOWSKI 01/28/00	Tyco Electronics Harrisburg, PA 17105-3608	
DIMENSIONS: mm		CHK P. DAMATO	NAME SOCKET CONNECTOR ASSEMBLY RIGHT ANGLE, COMPLIANT TAILS FLATPAQ	
TOLERANCES UNLESS OTHERWISE SPECIFIED: 0 PLC ±.5 1 PLC ±.5 2 PLC ±.25 3 PLC ±. 4 PLC ±. ANGLES ±5 FINISH		APVD CHAU/PERCHERKE 05/03/05	RESTRICTED TO	
MATERIAL		PRODUCT SPEC	SIZE A200779	CAGE CODE C-1646505
△ -		APPLICATION SPEC	DRAWING NO 1646505	
△ 3 -		WEIGHT	SCALE 4:1	
		CUSTOMER DRAWING	SHEET 1 OF 3 REV D	

ELCON FLATPAQ

THIS DRAWING IS UNPUBLISHED. RELEASED FOR PUBLICATION 20
 © COPYRIGHT 20 BY TYCO ELECTRONICS CORPORATION. ALL RIGHTS RESERVED.

LOC	DIST	REVISIONS			
P	LTR	DESCRIPTION	DATE	DWN	APVD
GP	00	-	SEE SHEET 1	-	-



PRINTED CIRCUIT LAYOUT
COMPONENT SIDE

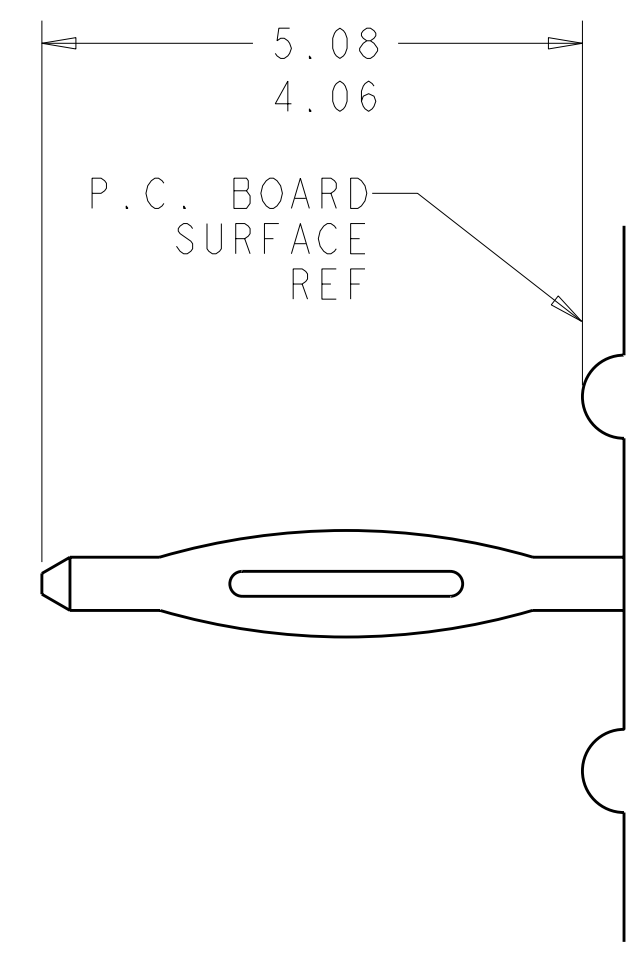
CONNECTOR	CATALOG MODULE #	QTY	SIZE NO.	CONTACT QTY	MATING PIN	MAX. CURRENT (PER CONTACT)	CONTACT SPACING	VOLTAGE RATING
SOCKET	FP200	3	8	3	1.25 X 7.00 [.049 X .276]	35 amps	7.50 [.2953]	250 VOLTS

<small>THIS DRAWING IS A CONTROLLED DOCUMENT FOR TYCO ELECTRONICS CORPORATION. IT IS SUBJECT TO CHANGE AND THE CONTROLLING ENGINEERING ORGANIZATION SHOULD BE CONTACTED FOR THE LATEST REVISION.</small>		DWN 01/28/00 HA/GRZYBOWSKI CHK P. DAMATO APVD 05/03/05 CHAU/PERCHERKE	Tyco Electronics Harrisburg, PA 17105-3608
DIMENSIONS: mm 	TOLERANCES UNLESS OTHERWISE SPECIFIED: 0 PLC ±.5 1 PLC ±.5 2 PLC ±.25 3 PLC ±. 4 PLC ±. ANGLES ±5 FINISH	PRODUCT SPEC APPLICATION SPEC WEIGHT CUSTOMER DRAWING	NAME SOCKET CONNECTOR ASSEMBLY RIGHT ANGLE, COMPLIANT TAILS FLATPAQ SIZE CAGE CODE DRAWING NO RESTRICTED TO A200779C-1646505 -
SCALE 4:1 SHEET 2 OF 3 REV D			

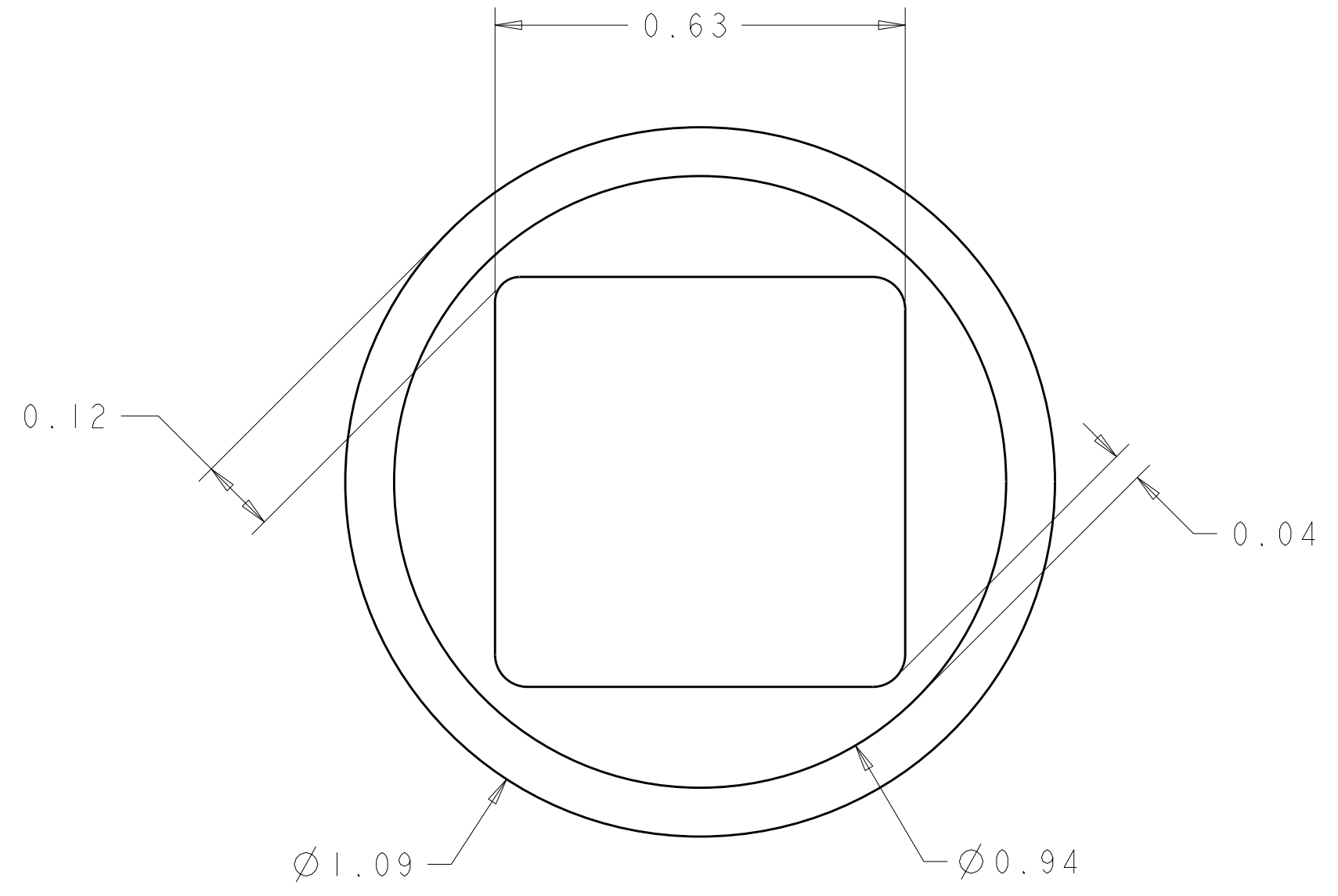
ELCON **FLATPAQ**

THIS DRAWING IS UNPUBLISHED. RELEASED FOR PUBLICATION 20
 © COPYRIGHT 20 BY TYCO ELECTRONICS CORPORATION. ALL RIGHTS RESERVED.

LOC	DIST	REVISIONS			
P	LTR	DESCRIPTION	DATE	DWN	APVD
GP	00	-	SEE SHEET 1	-	-



6. COMPLIANT PIN DETAIL
 SCALE 10 : 1
 INSERTION/EXTRACTION FORCES
 MAXIMUM PUSH IN: 133.3N PER PIN
 [30 LBS]
 MINIMUM PUSH OU: 44.4N PER PIN
 [10 LBS]



7. SOLDER TERMINATION AREA
 SCALE 40:1
 RECOMMENDED PRINTED CIRCUIT HOLE
 COMPLIANT PRESS FIT
 DRILLED HOLE: $\varnothing 1.15$ [.0453] ± 0.013 [.0005]
 COPPER PLATE: .025 [.0010] TO .050 [.0020]
 TIN PLATE: .0005 [.000020] MIN. (PER SURFACE)

ELCON **FLATPAQ**

THIS DRAWING IS A CONTROLLED DOCUMENT FOR TYCO ELECTRONICS CORPORATION IT IS SUBJECT TO CHANGE AND THE CONTROLLING ENGINEERING ORGANIZATION SHOULD BE CONTACTED FOR THE LATEST REVISION.		DWN HA/GRZYBOWSKI 01/28/00	Tyco Electronics Harrisburg, PA 17105-3608	
DIMENSIONS: mm		CHK P. DAMATO	NAME SOCKET CONNECTOR ASSEMBLY RIGHT ANGLE, COMPLIANT TAILS FLATPAQ	
TOLERANCES UNLESS OTHERWISE SPECIFIED:		APVD CHAU/PERCHERKE 05/03/05	SIZE A200779	CAGE CODE C-1646505
0 PLC $\pm .5$ 1 PLC $\pm .5$ 2 PLC $\pm .25$ 3 PLC $\pm .5$ 4 PLC $\pm .5$ ANGLES ± 5 FINISH		PRODUCT SPEC APPLICATION SPEC	DRAWING NO 1646505	RESTRICTED TO -
MATERIAL -		WEIGHT -	SCALE 4:1 SHEET 3 OF 3 REV D	
		CUSTOMER DRAWING		