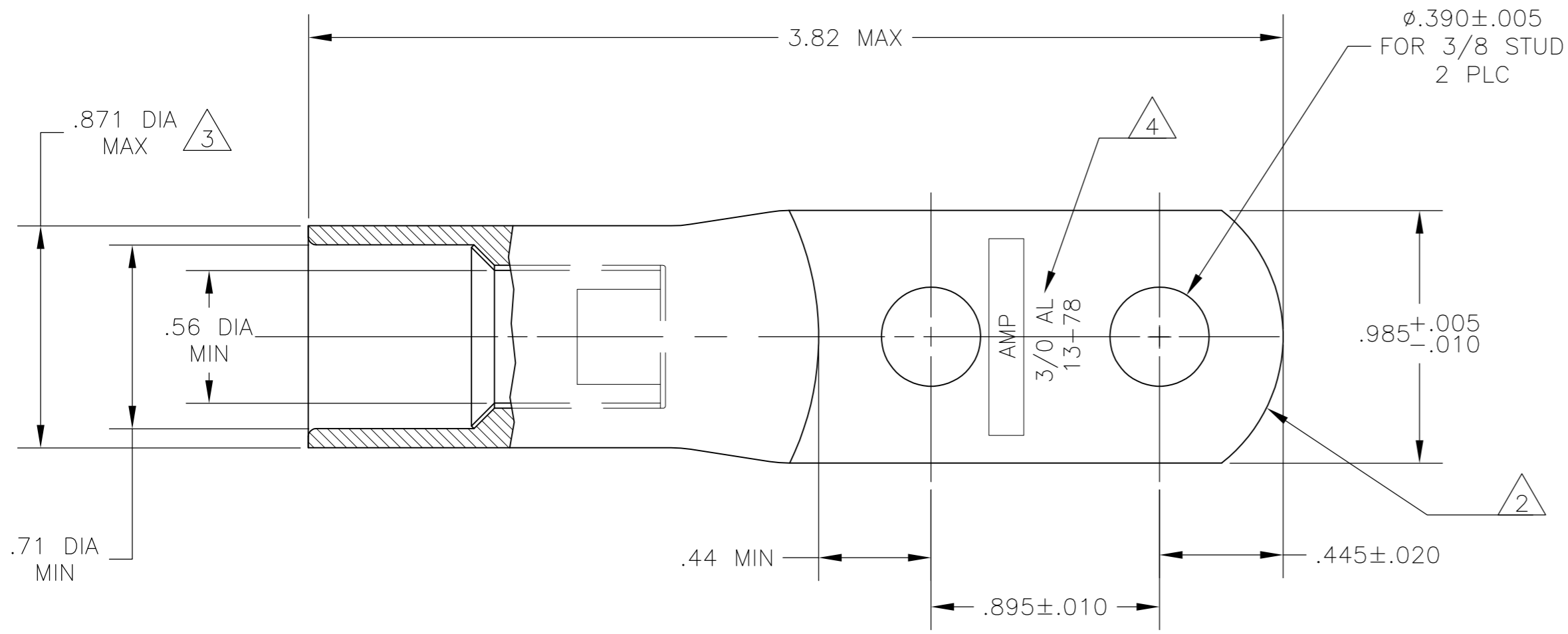
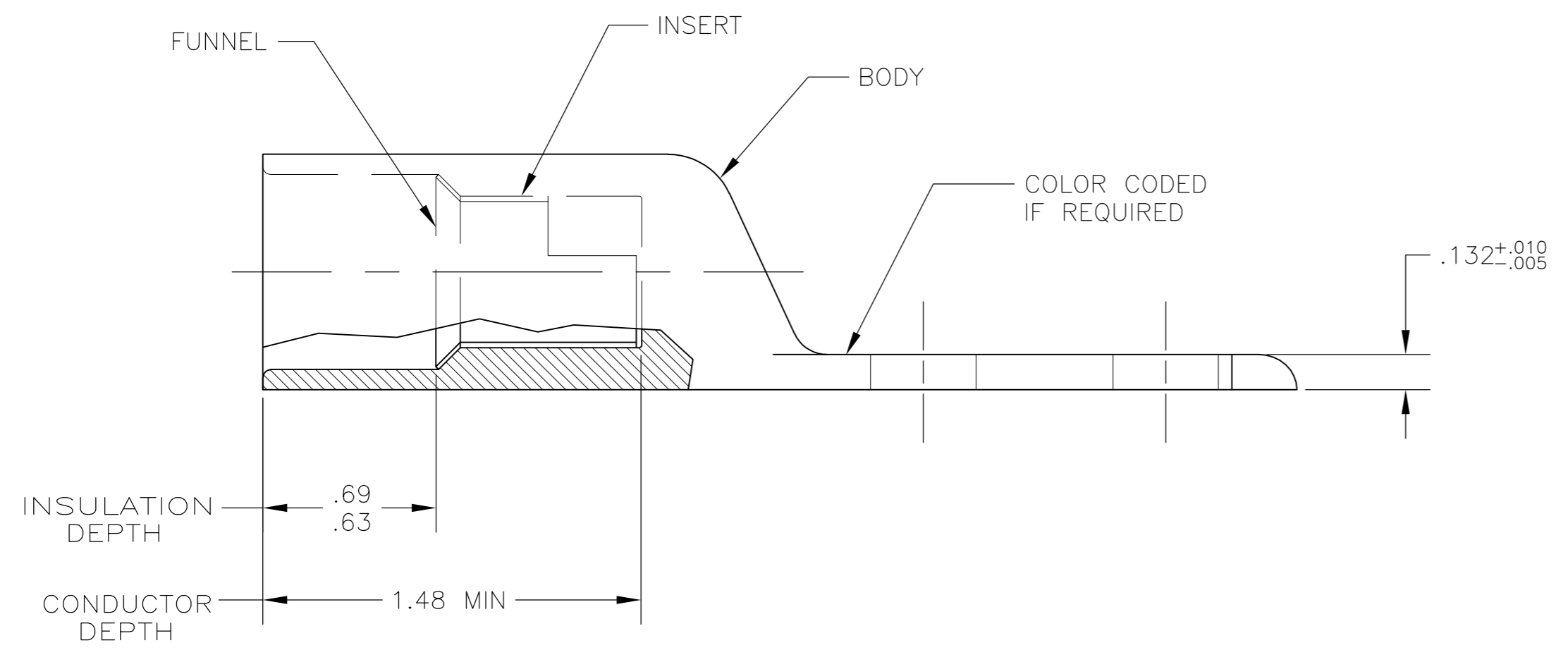


THIS DRAWING IS UNPUBLISHED. RELEASED FOR PUBLICATION  
 © COPYRIGHT - By - ALL RIGHTS RESERVED.

LOC	DIST	REVISIONS					
		P	LTR	DESCRIPTION	DATE	DWN	APVD
G	86						
		3		REVISED PER ECO-13-018297	26NOV13	MGM	CT



- 1 WIRE INSULATION: .520-.633 DIA
- 2 THE TONGUE RADIUS FEATURE IS NOT A TOOLING CONTROLLED DIMENSION AND MAY NOT BE A TRUE RADIUS.
- 3 FLASH PERMITTED ±.020
- 4 STAMP "AMP 3/0 AL 13-78" SIZE AND LOCATION APPROX AS SHOWN SEE TABLE FOR QUALIFICATION PORTION OF STAMP  
U = UNQUALIFIED  
P = PRODUCTION (IMPACT PART)
- 5 PRELIMINARY - NOT FOR PRODUCTION



-	PRODUCTION AND QUALIFIED	P AMP	INSERT & FUNNEL: BRASS MIL-C-50 NICKEL PL QQ-N-290 .000300 AVG THK	5 696961-2
RED STRIPE	PRODUCTION AND UNQUALIFIED	P AMP U	BODY: COPPER ASTM-B187 ANNEALED TIN PL PER ASTM B-545 .000150 MIN THK	5 696961-1
COLOR CODE	QUALIFICATION DESCRIPTION 4	QUALIFICATION STAMP 4	MATERIAL & FINISH	PART NO.

THIS DRAWING IS A CONTROLLED DOCUMENT.		DWN	JR RUTH	09MAY06																		
DIMENSIONS: INCHES		CHK	MJ SPICER	09MAY06																		
TOLERANCES UNLESS OTHERWISE SPECIFIED:		APVD	MJ SPICER	09MAY06																		
<table border="1"> <tr><td>0 PLC</td><td>±</td><td>-</td></tr> <tr><td>1 PLC</td><td>±</td><td>-</td></tr> <tr><td>2 PLC</td><td>±</td><td>-</td></tr> <tr><td>3 PLC</td><td>±</td><td>.008</td></tr> <tr><td>4 PLC</td><td>±</td><td>-</td></tr> <tr><td>ANGLES</td><td>±</td><td>-</td></tr> </table>		0 PLC	±	-	1 PLC	±	-	2 PLC	±	-	3 PLC	±	.008	4 PLC	±	-	ANGLES	±	-	PRODUCT SPEC	-	
0 PLC	±	-																				
1 PLC	±	-																				
2 PLC	±	-																				
3 PLC	±	.008																				
4 PLC	±	-																				
ANGLES	±	-																				
MATERIAL: SEE TABLE		FINISH	SEE TABLE																			
WEIGHT		111 GRAMS		A2 00779																		
CUSTOMER DRAWING		SCALE 2:1		SHEET 1 of 1																		
REV 3		RESTRICTED TO																				

**TE** Connectivity  
 WIRE TERMINAL, COPALUM  
 SEALED, RING TONGUE,  
 WIRE SIZE: 3/0 ALUMINUM