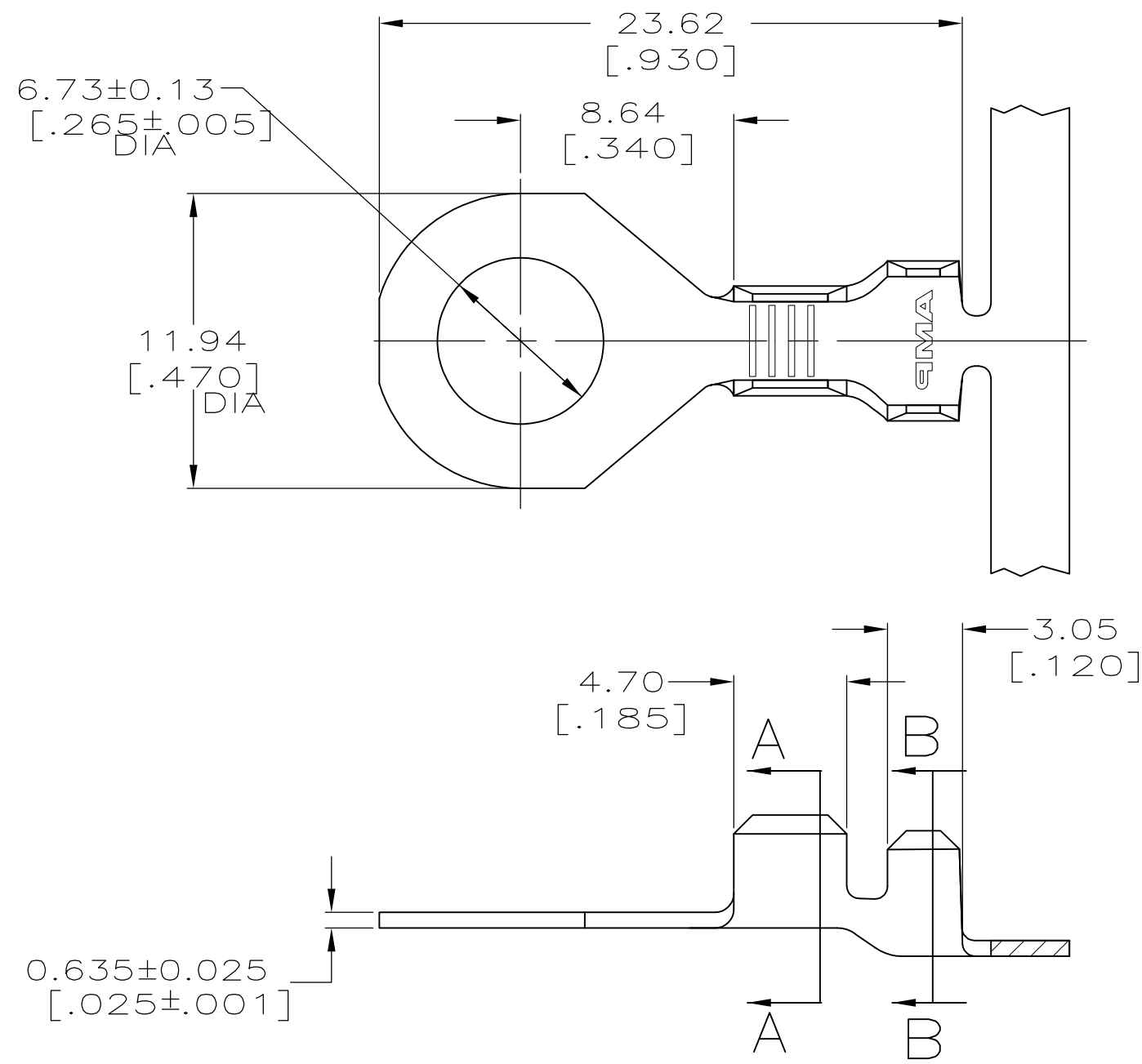
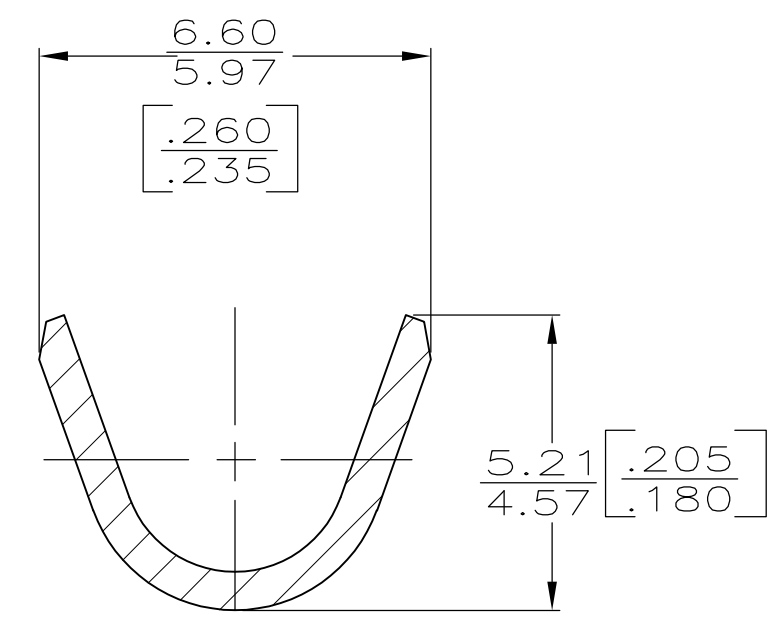
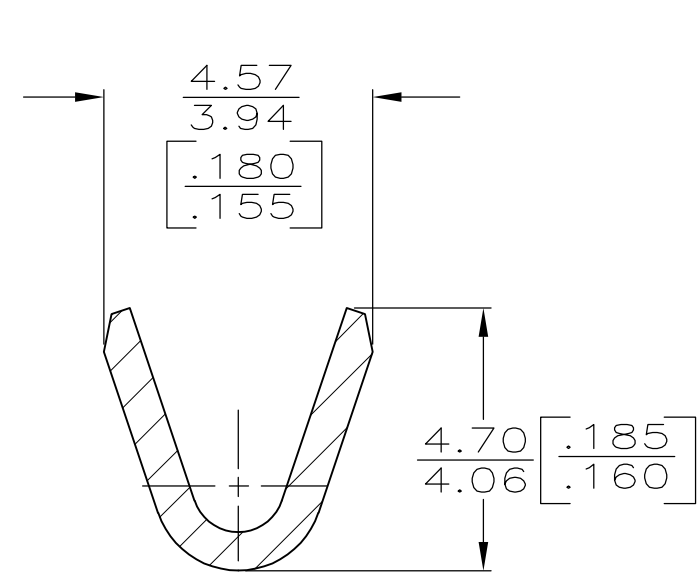


THIS DRAWING IS UNPUBLISHED. RELEASED FOR PUBLICATION
 © COPYRIGHT BY TYCO ELECTRONICS CORPORATION. ALL INTERNATIONAL RIGHTS RESERVED.

LOC	DIST	REVISIONS			
P	LTR	DESCRIPTION	DATE	DWN	APVD
AF	50	D	REVISED PER ECR-10-006099	19JUL10	HMR PD



- 1 CONTINUOUS STRIP ON REEL.
- 2 INSULATION RANGE: 2.16-3.05 [.085-.120] F CRIMP
3.05-3.56 [.120-.140] O CRIMP.



THIS DRAWING IS A CONTROLLED DOCUMENT.		DWN 2/17/94 PHILLIP M FORTNEY	Tyco Electronics Corporation Harrisburg, PA 17105-3608	
DIMENSIONS: mm [INCHES]	TOLERANCES UNLESS OTHERWISE SPECIFIED:	CHK 2/17/94 JEFF RUTH	NAME	
	0 PLC ± -	APVD 2/17/94 GARY YETTER	RING	
	1 PLC ± -	PRODUCT SPEC	-	
	2 PLC ± 0.25 [.010]	APPLICATION SPEC	SIZE	CAGE CODE
	3 PLC ± -	WEIGHT	A3	00779
	4 PLC ± -	CUSTOMER DRAWING	DRAWING NO	C-485029
MATERIAL	FINISH	SCALE	SHEET	REV
082 BRASS	TIN	4:1	1 OF 1	D