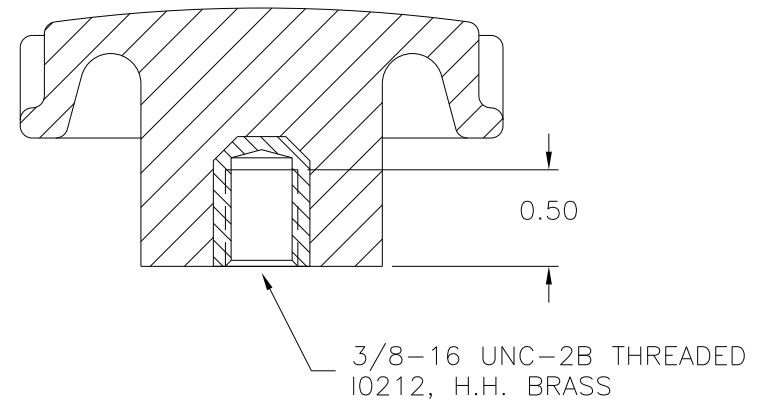
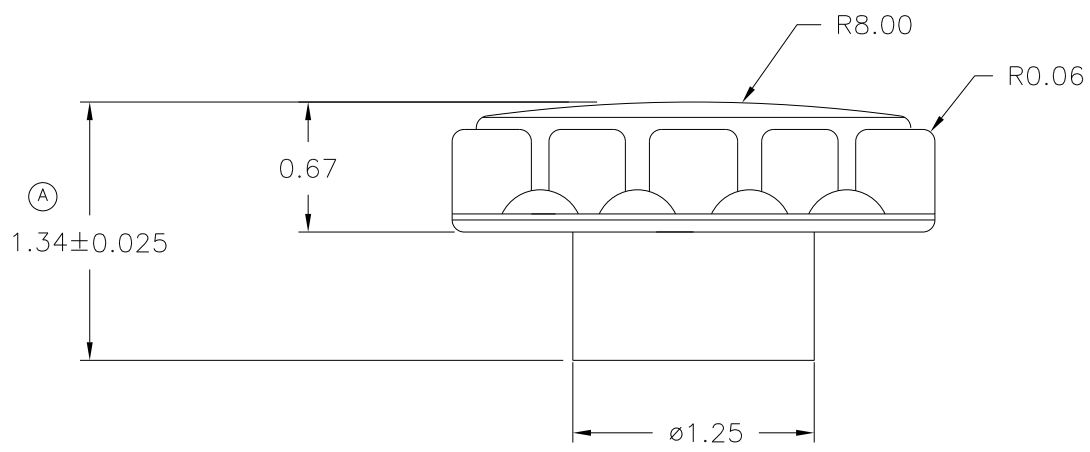
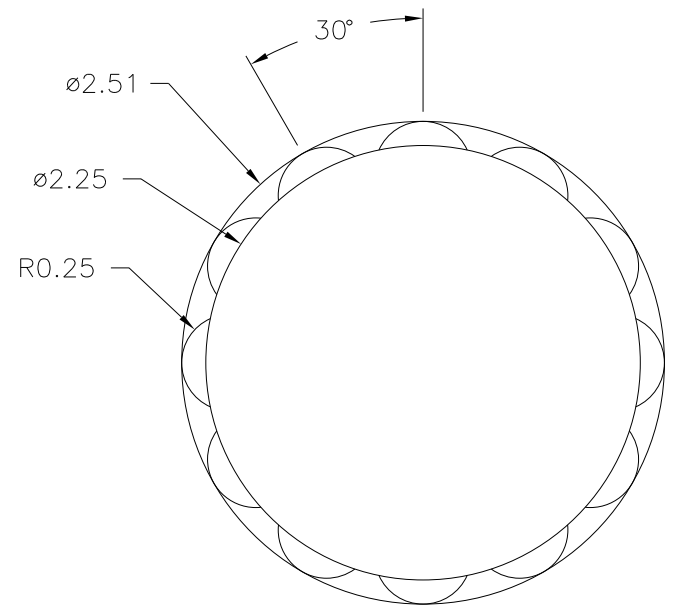


PART NAME: KNOB SCALE: 1:1 DATE: 4/23/70 DR. BY NH

THIS DRAWING IS THE PROPERTY OF DAVIES MOLDING COMPANY, IS SUBMITTED SOLELY AS A DESIGN OR ENGINEERING PROJECT. WE ACCEPT NO RESPONSIBILITY WHATSOEVER FOR THE PRACTICAL APPLICATION OF THE PIECES MADE TO THIS DESIGN.



P/N	3015-A
M NO.	5699
CAVITY	3015
PLUNGER	3015
PIN BARS	3015
SHIM BARS	3015 (3/8)
CAVITY BACK-UP STEAM PLATE PLUG	3015
PINS	3015-1+A
INSERT	I0212



MATERIAL: G.P. PHENOLIC (B11)
COLOR: BLACK

TOLERANCES: UNLESS OTHERWISE SPECIFIED	DO NOT SCALE DRAWING			
DECIMALS: X.XXX ± .005 X.XX ± .015	MM: X.XX ± 0.15MM X.X ± 0.4MM	A	WAS 1.32 ADDED TOLERANCE	EW 7/23/14
		-	RE-DID REDRAW	TL 8/6/99
		-	CAD REDRAW	HD 5/6/94
FRACTIONS ± 1/64	ANG. ± 1°	CHANGES		