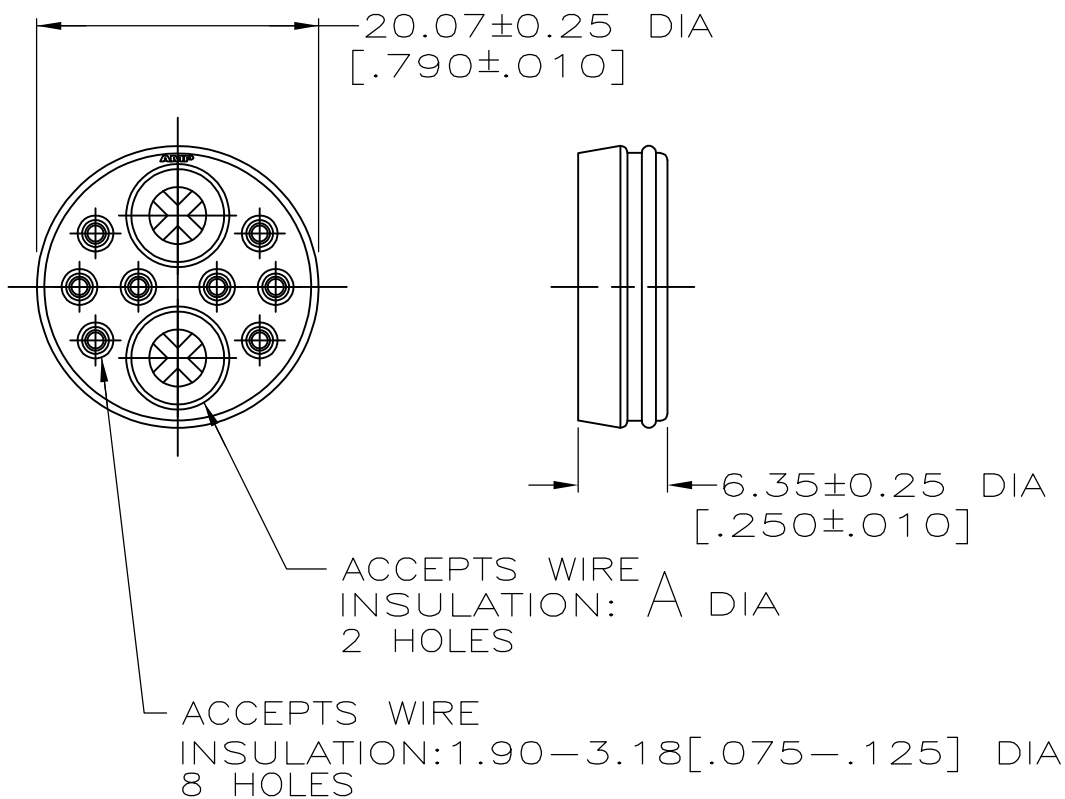


LOC FT DIST 4

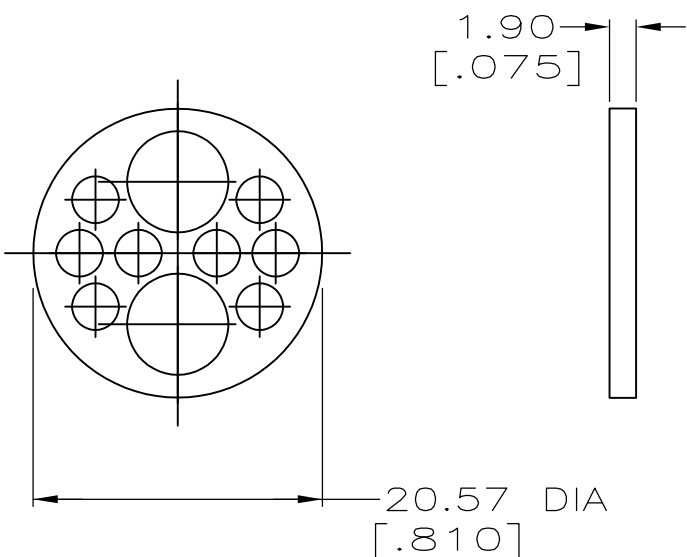
REVISIONS

P	LTR	DESCRIPTION	DATE	DWN	APVD
0		RLSE -1 THRU -4 PER NPR 5375, WAS 95-7970-28	07/12/95	-	-
A		OBSOLETE -3,-4 AND REVISED PER EC 0020-900-95	15 SEP 95	DH	AF
B		REV PER EC 0320-144-97	05 MAY 97	CO	AF
C		ADDED -5 PER EC 0320-152-97	08 MAY 97	CO	AF
C1		REVISED PER ECO-09-020689	27AUG09	KK	AEG



1 OBSOLETE PARTS: OBSOLETE CIS STREAMLINING PER D.RENAUD/D.SINISI

SEAL MATERIAL: SILICON, RED IRON OXIDE QTY=1



PRESSURE PLATE MATERIAL: NYLON, BLACK QTY=1

1 OBSOLETE	INDIVIDUAL	2.41-5.21 [.095-.205]	213900-5
OBSOLETE	-	-	213900-4
OBSOLETE	-	-	213900-3
	BULK	3.81-6.73 [.150-.265]	213900-2
	INDIVIDUAL	3.81-6.73 [.150-.265]	213900-1
	PACKAGING	A	PART NUMBER

DIMENSIONS:		TOLERANCES UNLESS OTHERWISE SPECIFIED:		DWN		AMP Incorporated	
mm [INCHES]		0 PLC ±-		D.HARDY 07/12/95		Harrisburg, PA 17105-3608	
		1 PLC ±-		CHK R.STONE 07/13/95		AMP SEAL ASSEMBLY KIT, SERIES 6, 17-10, CPC	
		2 PLC ±0.13 [.005]		APVD A.FRANTUM 07/13/95			
		3 PLC ±-		PRODUCT SPEC		NAME	
		4 PLC ±-		108-1579		SIZE	
		ANGLES ±-		APPLICATION SPEC		CAGE CODE	
		FINISH -		-		DRAWING NO	
MATERIAL SEE CALLOUTS				WEIGHT -		A3 00779	
				CUSTOMER DRAWING		C-213900	
						SCALE 2:1 SHEET 1 OF 1 REV C1	