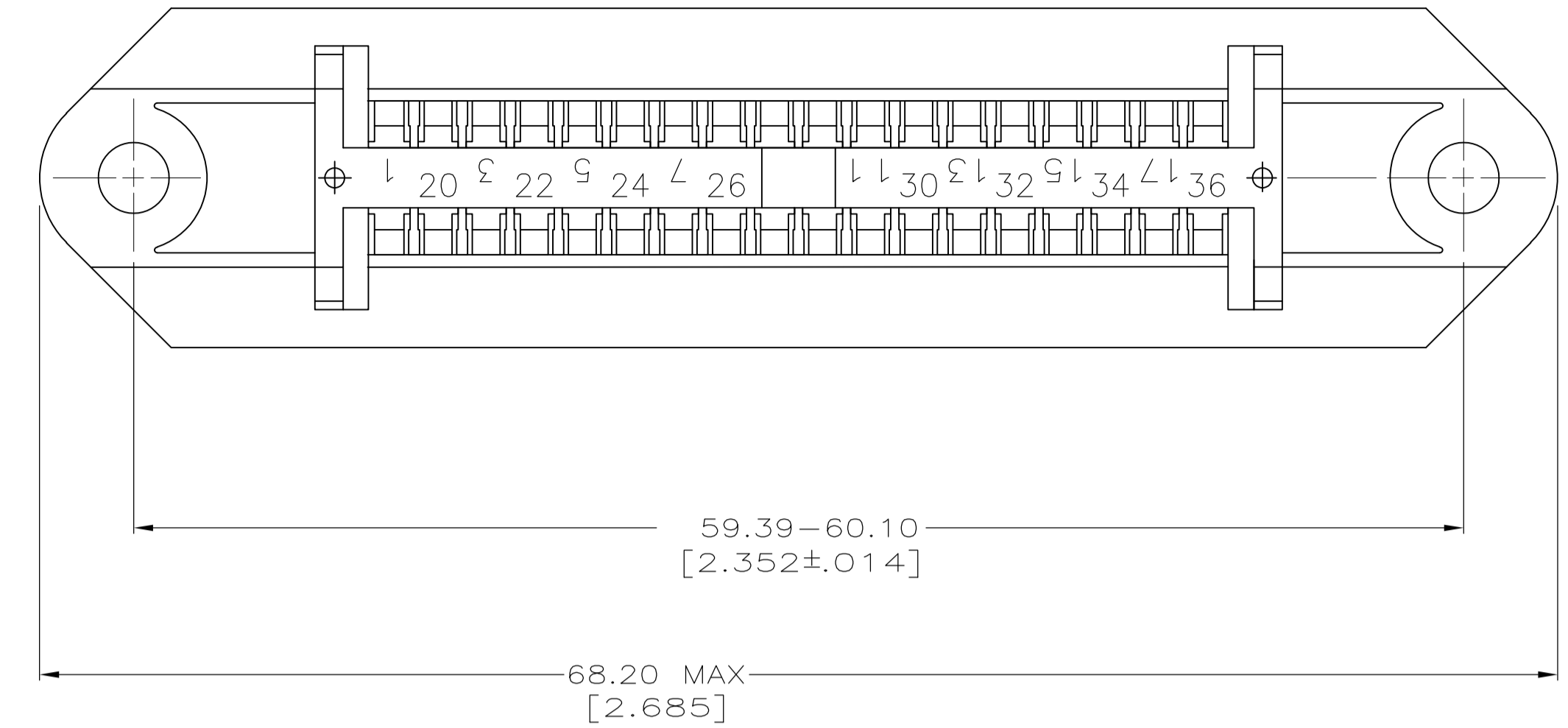
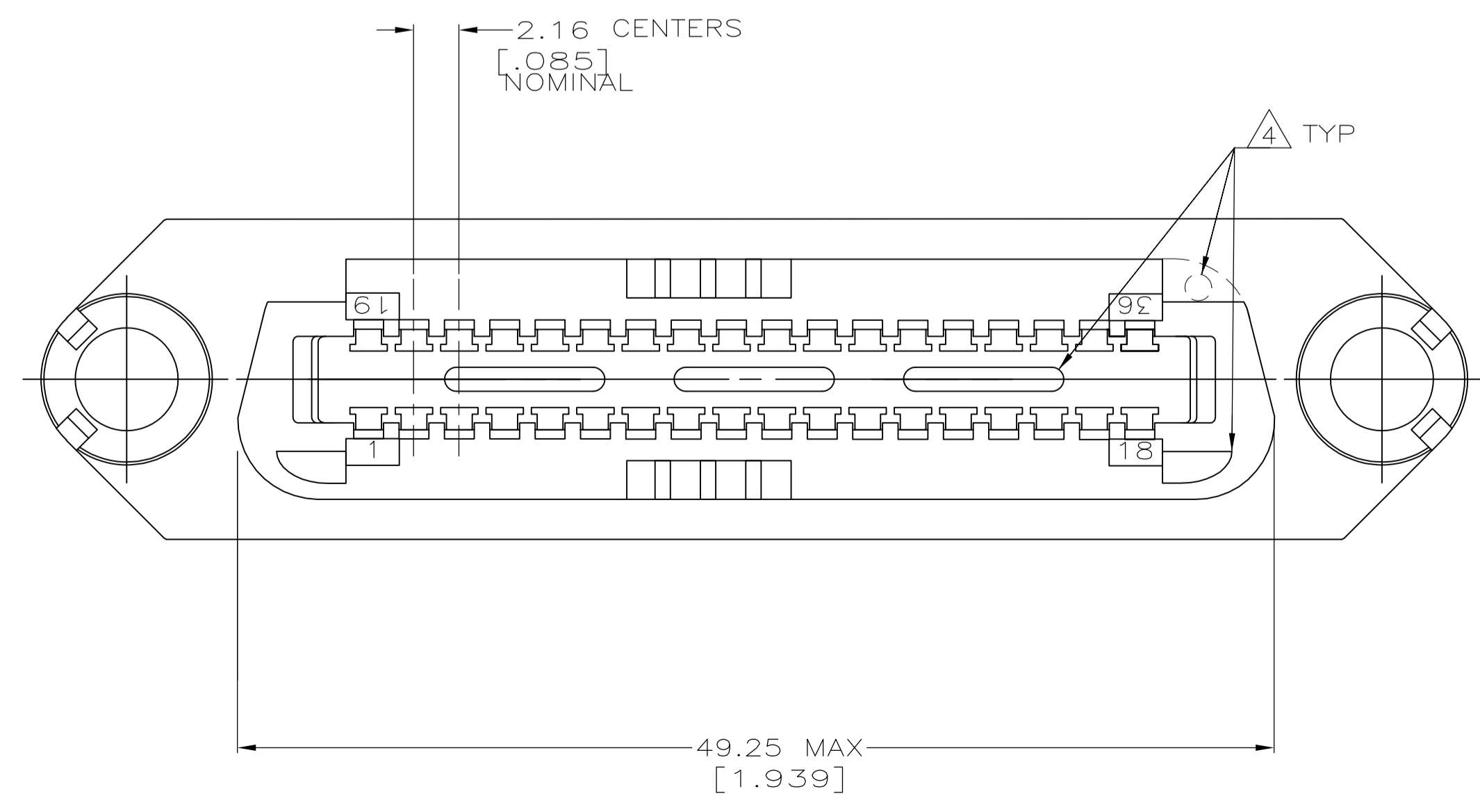
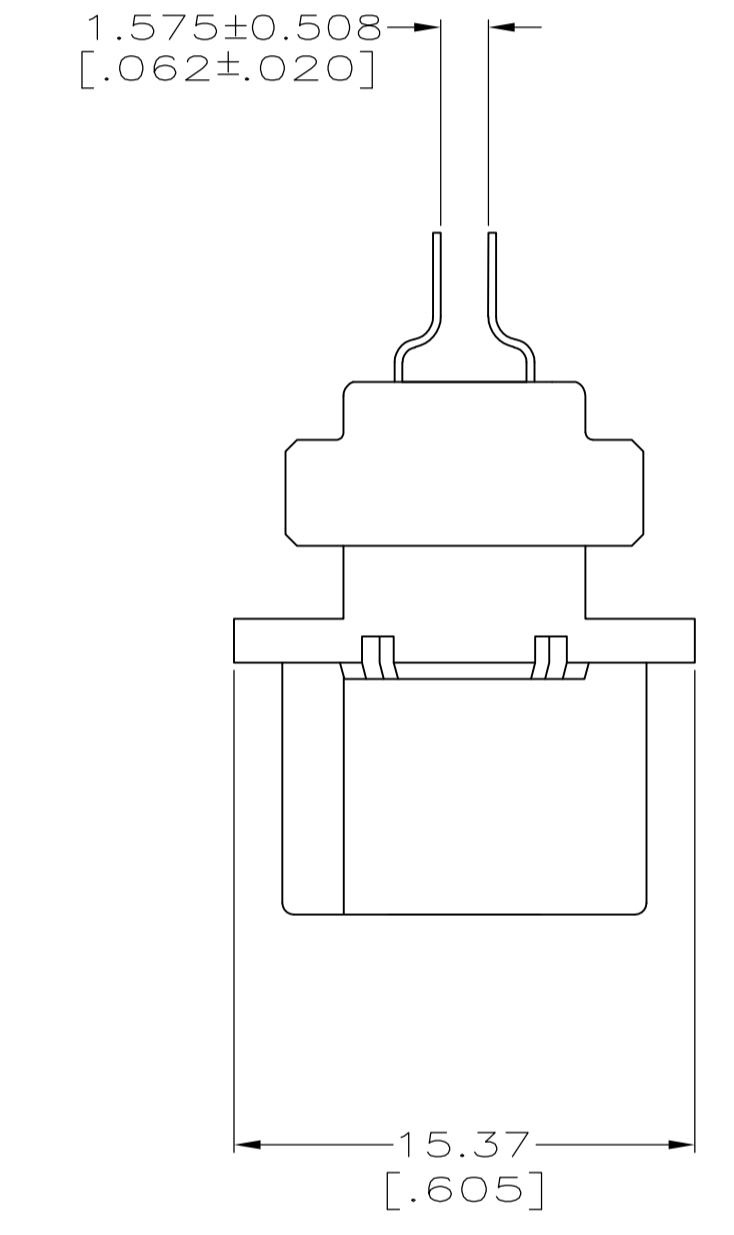
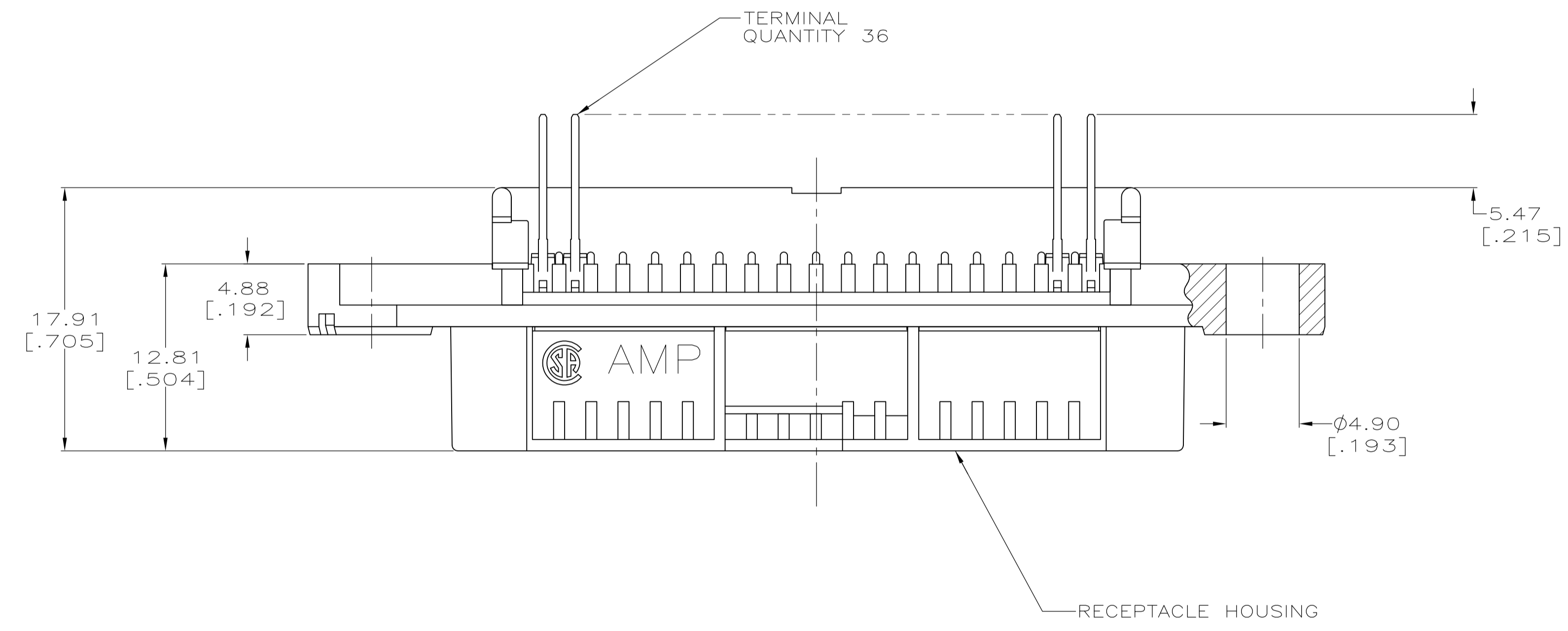


LOC		DIST		REVISIONS			
P	LTR	DESCRIPTION	DATE	DMN	APVD		
B		REVISED PER ECO-08-007327	22JUL08	BM	WM		



- 1. ALL DIMENSIONS SHOWN ARE MAXIMUM UNLESS OTHERWISE SPECIFIED.
- 2. THE CONTACT SURFACES OF THE TERMINALS ARE COATED WITH LUBRICANT.
- 3. MATERIAL: HOUSING - THERMOPLASTIC, BLACK. TERMINAL - PHOS BRONZE PLATED WITH EITHER 0.76µm [.000030] MINIMUM GOLD PLATE OR GOLD FLASH OVER PALLADIUM NICKEL PLATE, 0.76µm [.000030] MINIMUM TOTAL ON MATING SURFACE. 3.05µm [.000120] MINIMUM TIN PLATE ON TAILS OVER 1.27µm [.000050] MINIMUM NICKEL UNDERPLATE OVER ENTIRE TERMINAL.
- 4. THIS FEATURE IS A CORED AREA AND IS OPTIONAL ON PART.



5552241-1
PART NUMBER

THIS DRAWING IS A CONTROLLED DOCUMENT.		DIN B LATTUCA 12AUG05	Tyco Electronics Corporation Harrisburg, PA 17105-3608	
DIMENSIONS: mm [INCHES]		CHK W. MILLHIMES 12AUG05	NAME	
TOLERANCES UNLESS OTHERWISE SPECIFIED:		APVD W. WALMSLEY 12AUG05	RECEPTACLE ASSEMBLY, 36 POSITION, EDGE MOUNTING, CHAMP-LOK®	
0. PLC ± -	1. PLC ± -	PRODUCT SPEC	SIZE	CAGE CODE
2. PLC ± -	3. PLC ± -	APPLICATION SPEC	A1	00779
4. PLC ± -	ANGLES ± -	WEIGHT	5552241	RESTRICTED TO
MATERIAL 3	FINISH 3	CUSTOMER DRAWING	SCALE 4:1	SHEET 1 of 1 REV B