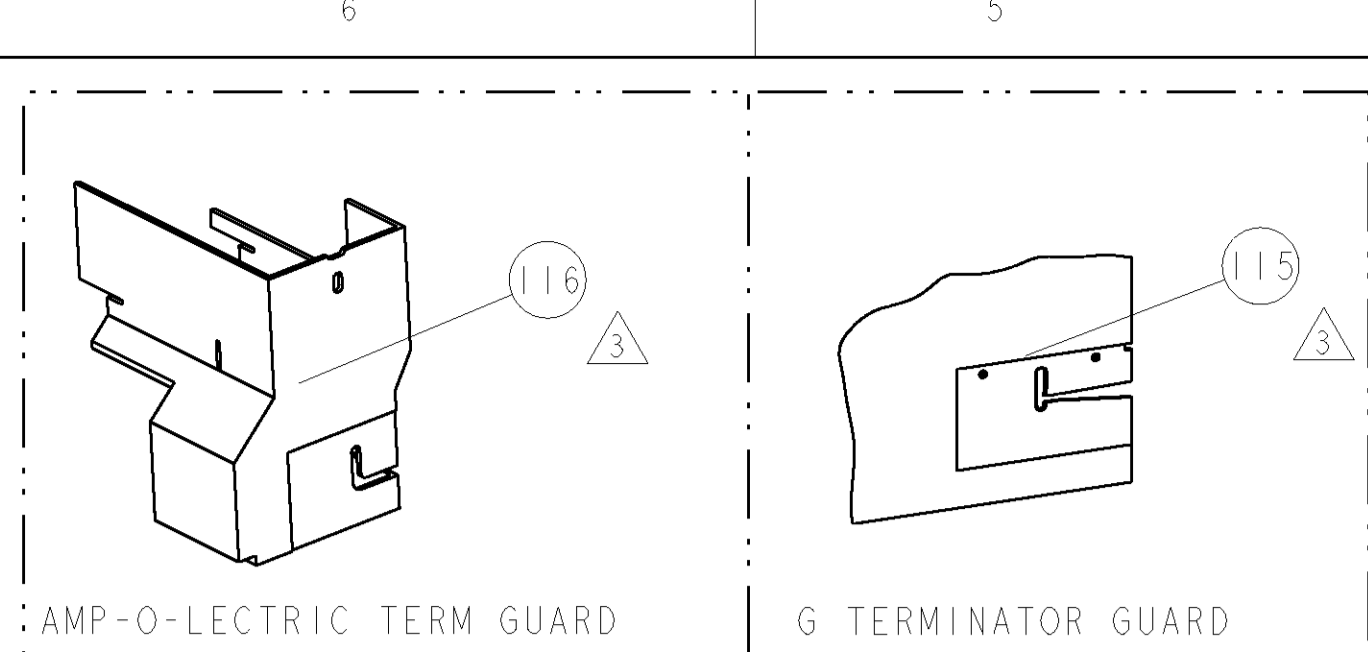
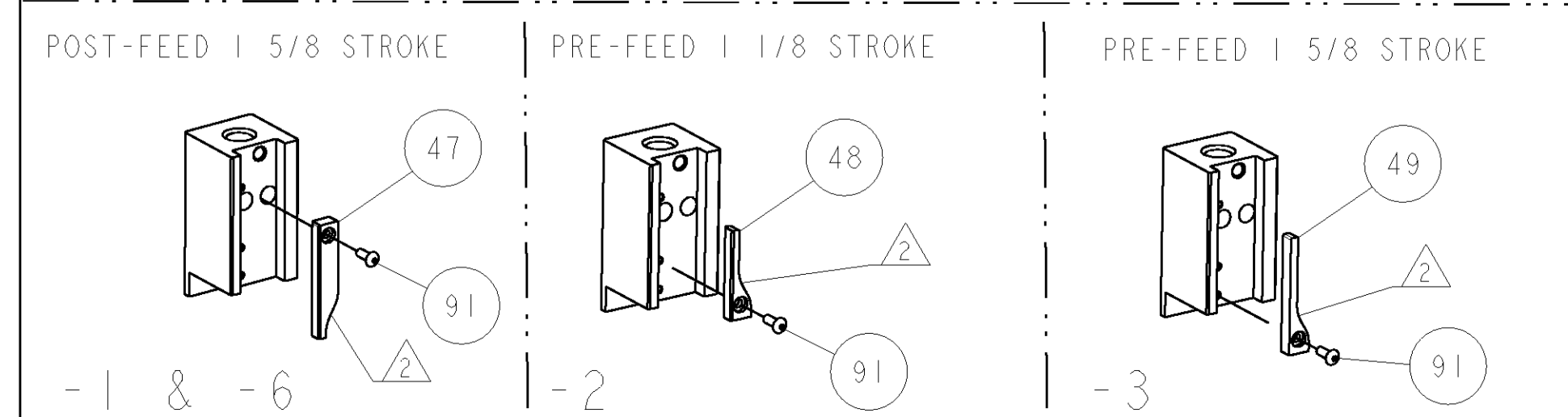
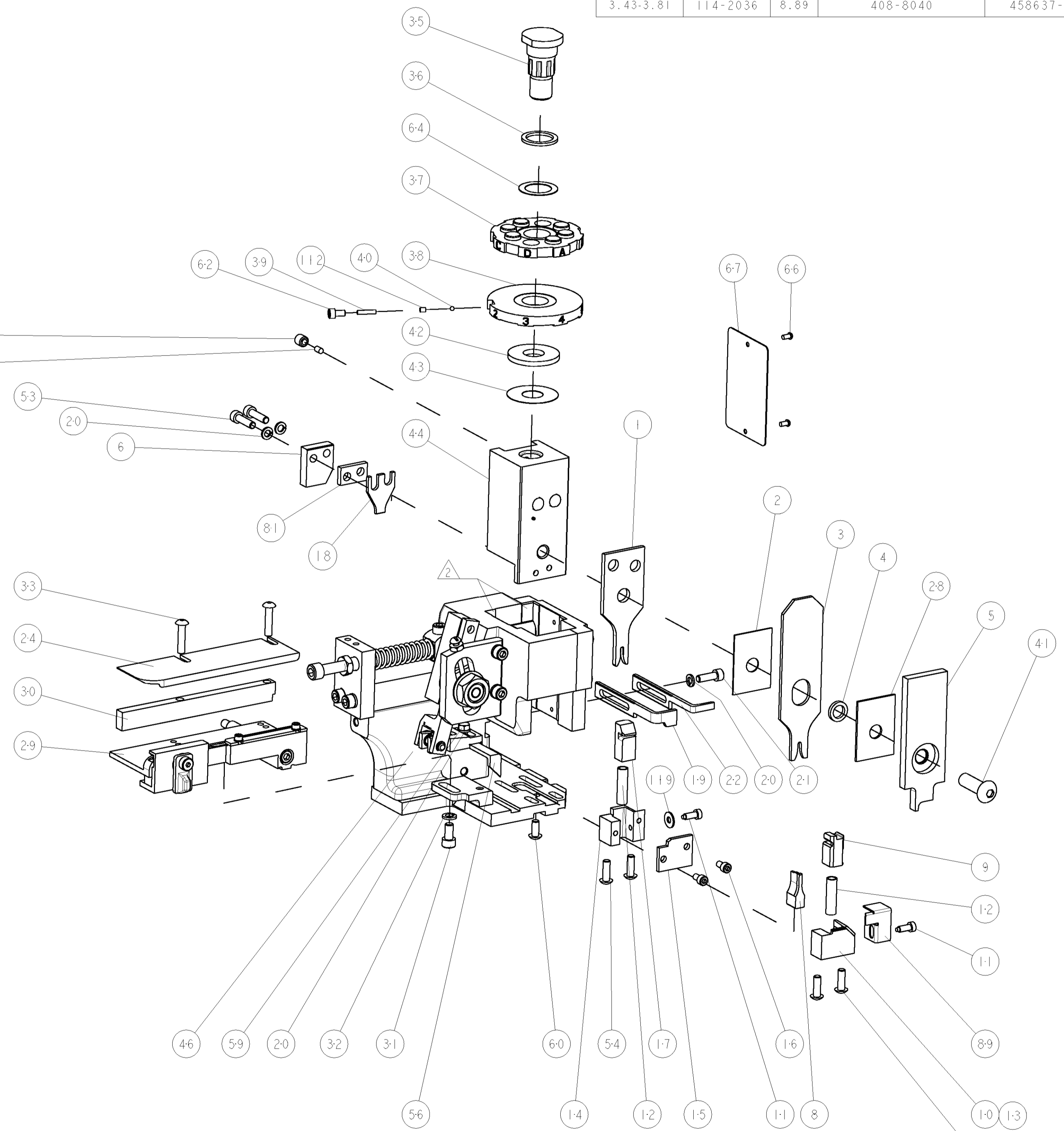
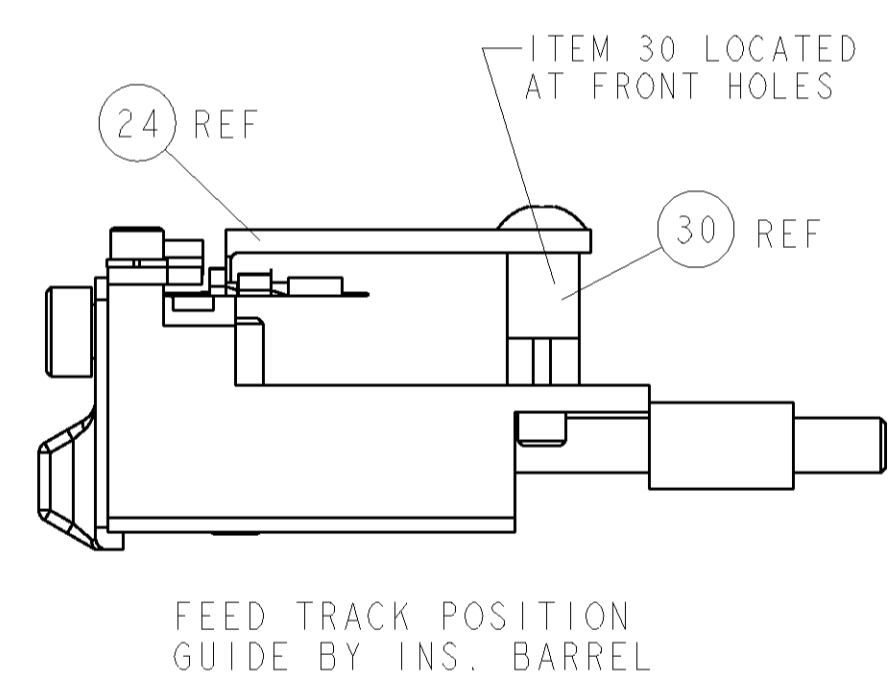
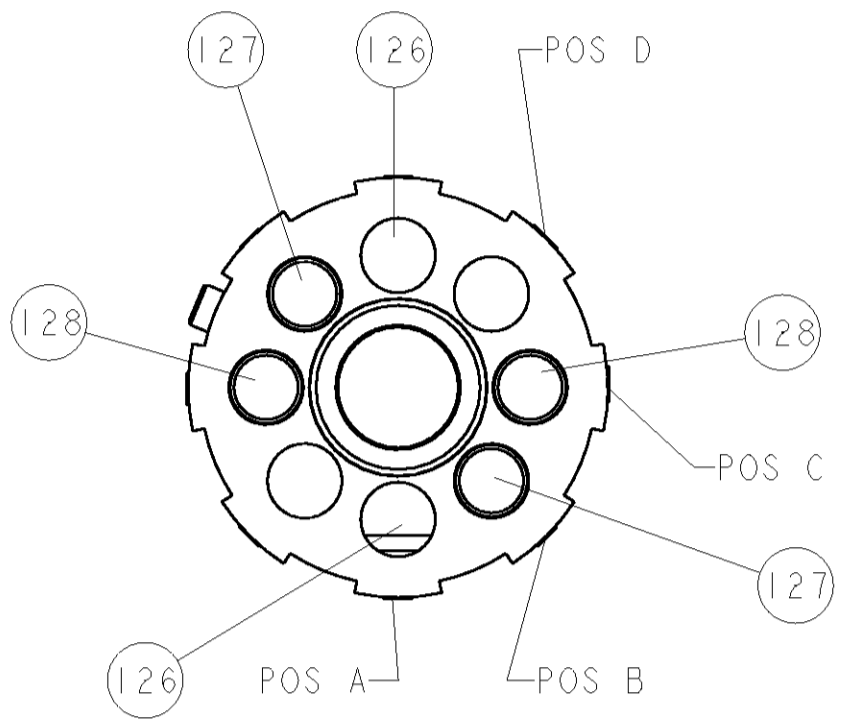


PART NUMBER	REV	FIRST USED	POWER UNIT	FEED TYPE	DESCRIPTION
466449-1	H	122500-1	LEADMAKER	POST FEED	CUTS CARRIER
466449-2	H	565435-5	BENCH MODEL K	PRE FEED	CUTS CARRIER
466449-3	H	354500-1	BENCH MODEL G	PRE FEED	CUTS CARRIER
466449-6	H	122500-1	LEADMAKER	POST FEED	CONTINUOUS CARRIER
7-466449-7	H	-	-	-	SPARE PARTS



TERMINAL NAME: RING TONGUE			
TE PN		TE TERMINAL - TE CRIMP SPECS	
60900	-		
62020	-	PAD LTR	CRIMP HEIGHT
62398	-	A	WIRE SIZE
63887	-	B	20AWG
63904	-	C	22AWG
63976	-	D	24AWG
1217103	-	CRIMP	SIZE
-	-		TYPE
-	-		RANGE
-	-	WIRE	1.40mm [.055]
-	-	INSUL	2.29mm [.090]
WIRE STRIP LENGTH	TERM APPL SPEC	FEED	APPLICATOR INSTRUCTIONS
3.43-3.81	114-2036	8.89	408-8040
			SET UP GAGE
			458637-1

- RECOMMENDED SPARE PARTS
- GREASE LIGHTLY
- GUARD MUST BE IN PLACE WHEN OPERATING APPLICATOR IN A BENCH MACHINE



LOC	DIST	REVISIONS				
A	66	P LTR	DESCRIPTION	DATE	DWN	APVD
		I	DEVELOPMENT	15DEC2008	Y. Y.	D. N.
		H	RELEASED	08JAN2009	MEH	TE

-	2	2	2	2	-	5-354779-8	PIN, WIRE DISC, .3280	128
-	2	2	2	2	-	4-354779-6	PIN, WIRE DISC, .3220	127
-	2	2	2	2	-	4-354779-0	PIN, WIRE DISC, .3190	126
-	1	1	1	1	-	21055-5	WASHER, FLAT, REG NO 6	119
-	-	-	REF	-	..	455749-1	GUARD WINDOW	116
-	-	REF	-	-	..	679532-1	INSERT, GUARD	115
-	1	1	1	1	-	690603-1	SPRING ASSIST AMP-O-MATOR APPLICATOR	112
-	1	1	1	1	-	1-21002-7	SCR, BTN SKT HD CAP 6-32 X .375	91
-	1	1	1	1	-	318563-1	GUARD, FRONT CHIP	89
-	1	1	1	1	-	240641-5	SPACER	81
-	1	1	1	1	-	4088040	SF APPL INST 408-8040	72
-	1	1	1	1	-	217238-1	GENERAL INSTRUCTION PKG	71
-	2	2	2	2	-	461264-1	PLATE, IDENTIFICATION	67
-	1	1	1	1	-	21017-2	SCREW, DRIVE	66
-	1	1	1	1	-	986950-1	WASHER, FLAT PRECISION	64
-	1	1	1	1	-	21009-2	SCR, SET, SELF LOCKING 1/4-20 X .250	63
-	1	1	1	1	-	23030-1	SCR, SKT HD CAP 6-32 X .25	62
-	1	1	1	1	-	22733-8	SCR, BHSC, SELF-LOCKING, 8-32 X .375	60
-	1	1	1	1	-	2-22603-0	SCR, HEX HD CAP 8-32 X .312	59
-	1	1	1	1	-	458537-2	PAWL, FEED	56
-	4	4	4	4	-	2-21002-2	SCR, BTN SKT HD CAP 8-32 X .500	54
-	2	2	2	2	-	2-21000-8	SCR, SKT HD CAP 8-32 X .625	53
-	-	-	1	-	..	690602-6	CAM, PRE FEED, 1/8	49
-	-	-	1	-	..	690602-5	CAM, PRE FEED, 1/8	48
-	1	-	-	1	-	690501-4	CAM, POST-FEED 1/8	47
-	1	1	1	1	-	459456-1	APPL. BASIC SUB ASSY (SIDE WISE MQCA)	46
-	1	1	1	1	-	690191-1	PLUG, NYLON	45
-	1	1	1	1	-	455673-1	RAM, SIDE FEED	44
-	1	1	1	1	-	690125-1	SHIM SUB-ASSY	43
-	1	1	1	1	-	690124-1	WASHER, RAM (.115)	42
-	1	1	1	1	-	7-21002-9	SCR, BTN SKT HD CAP 5/16-24 X 1.00	41
-	1	1	1	1	-	23241-6	BALL, STEEL	40
-	1	1	1	1	-	690170-1	SPRING, COMPRESSION	39
-	1	1	1	1	-	690142-1	DISC, INSULATION	38
-	1	1	1	1	-	354777-1	WIRE DISC, ASSEMBLY	37
-	1	1	1	1	-	22480-5	SPRING, COMPRESSION	36
-	1	1	1	1	-	690212-1	POST, RAM	35
-	2	2	2	2	-	2-21002-4	SCR, BTN SKT HD CAP 8-32 X .750	33
-	1	1	1	1	-	21024-5	WASHER, SPRG LOCK, REG NO 10	32
-	1	1	1	1	-	3-21000-4	SCR, SKT HD CAP 10-32 X .375	31
-	1	1	1	1	-	1-1320908-7	SPACER, STRIP GUIDE	30
-	1	1	1	1	-	1633091-1	ASSEMBLY, STRIP GUIDE	29
-	1	1	1	1	-	1-455888-0	SPACER, CRIMPER	28
-	1	1	1	1	-	1320928-1	PLATE, STRIP GUIDE	24
-	1	-	-	1	-	690472-2	STRIPPER	22
-	1	1	1	1	-	2-21000-7	SCR, SKT HD CAP 8-32 X .500	21
-	4	4	4	4	-	21024-4	WASHER, SPRG LOCK, REG NO 8	20
-	-	1	1	-	-	691353-1	STRIPPER	19
-	1	1	1	1	-	690518-2	HOLD DOWN, TERMINAL	18
-	1	1	1	1	-	690463-1	FLOATING SHEAR, REAR	17
-	2	2	2	2	-	1-21000-8	SCR, SKT HD CAP 6-32 X .250	16
-	1	1	1	1	-	690464-2	SHEAR PLATE, REAR	15
-	-	1	1	1	-	690462-1	SHEAR HOLDER, REAR	14
-	1	-	-	-	-	679625-1	SHEAR HOLDER, FRONT (NO CUT)	13
-	2	2	2	2	-	3-22280-3	SPRING, COMPRESSION	12
-	2	2	2	2	-	690461-1	STOP, SHEAR	11
-	-	1	1	1	-	690459-1	SHEAR HOLDER, FRONT	10
-	1	1	1	1	-	454276-1	FLOATING SHEAR, FRONT	9
-	1	1	1	1	-	690512-9	ANVIL, COMBINATION	8
-	-	-	-	-	..	-	-	7
-	1	1	1	1	-	690468-1	DEPRESSOR SHEAR, REAR	6
-	1	1	1	1	-	455889-9	DEPRESSOR, SHEAR	5
-	1	1	1	1	-	2-238011-2	BLOCK, CRIMPER SPACER	4
-	1	1	1	1	-	4-456135-4	CRIMPER, INSULATION O PREMIUM	3
-	1	1	1	1	-	455888-5	SPACER, CRIMPER	2
-	1	1	1	1	-	1-456402-4	CRIMPER, WIRE PREMIUM	1

DIMENSIONS: INCHES		TOLERANCES UNLESS OTHERWISE SPECIFIED:	
Ø	PLC	±	
	1 PLC	±0.1	
	2 PLC	±0.01	
	3 PLC	±0.001	
	4 PLC	±0.0001	
	ANGLES	±0.0001	

DATE	15DEC2008	DWN	Y. Y.
CHK	M. HERR	APVD	M. HERR
APVD	M. HERR	DATE	19DEC2008
NAME	M. HERR	PRODUCT SPEC	
DESCRIPTION	SIDE FEED HDM APPLICATOR	APPLICATION SPEC	
SIZE	A1	SCALE	3:5
WEIGHT		SHEET	1 OF 1
CUSTOMER DRAWING		REV	H

CUSTOMER VIEWABLE ASSEMBLY