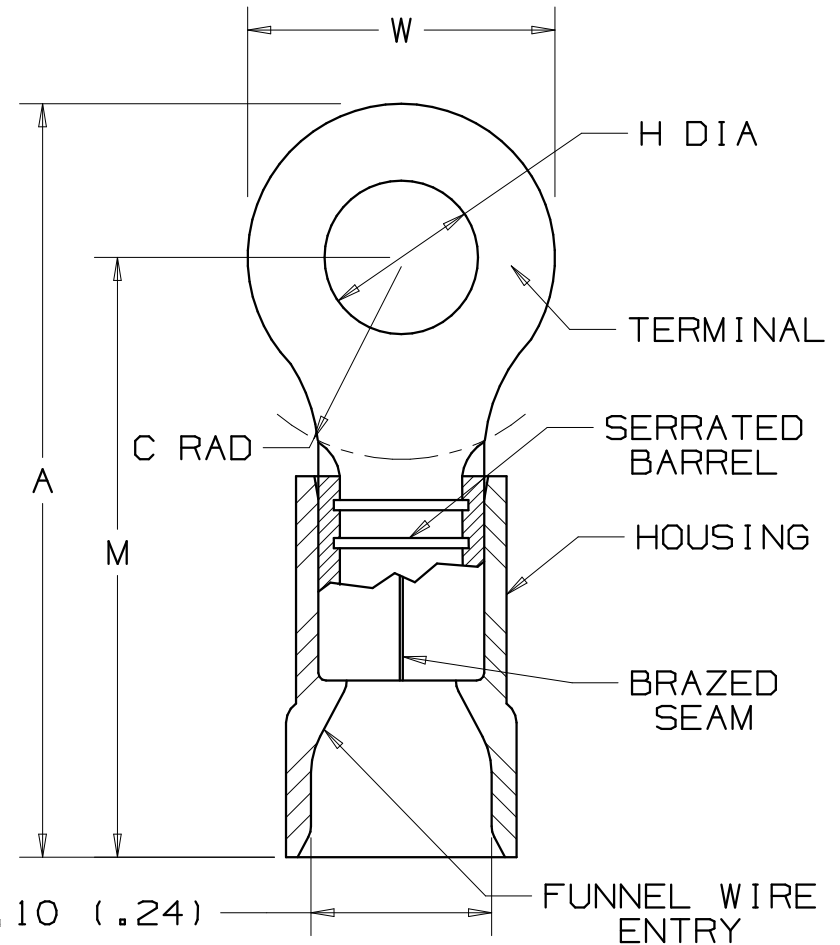


THIS COPY IS PROVIDED ON A RESTRICTED BASIS AND IS NOT TO BE USED IN ANY WAY DETRIMENTAL TO THE INTERESTS OF PANDUIT CORP.

PANDUIT PART #	STUD SIZE	DIMENSIONS mm				
		A ±0,51	W ±0,25	C ±0,38	M ±0,51	H ±0,25
PREFIX						
PMV6-3R	M3	26,06 (1.02)	5,84 (.23)	7,87 (.31)	22,61 (.89)	3,30 (.13)
PMV6-4R	M4	26,50 (1.04)	7,87 (.31)	7,87 (.31)	22,61 (.89)	4,57 (.18)
PMV6-5R	M5	27,10 (1.07)	9,50 (.37)	7,87 (.31)	22,61 (.89)	5,33 (.21)
PMV6-6R	M6	30,30 (1.19)	10,91 (.43)	9,65 (.38)	24,64 (.97)	6,86 (.27)
PMV6-8R	M8	31,38 (1.24)	13,18 (.52)	9,65 (.38)	24,64 (.97)	8,64 (.34)



NOTES :

- USED FOR :
  - A. 600 V MAX. VOLTAGE RATING
  - B. 105°C (221°F) MAX. TEMP. RATING
  - C. 2,5-6,0mm<sup>2</sup>, (#12-10 AWG), STRANDED COPPER WIRE (4,0-6,0mm<sup>2</sup> WITH CT-1551M)
- MATERIAL :
  - A. STAMPING - 1,02mm (.04) THK COPPER, TIN PLATED
  - B. HOUSING - YELLOW VINYL
- DIMENSIONS IN BRACKETS ARE IN INCHES
- PACKAGE QTY:
  - A. -X =10, -L =50, -D =500
- WIRE STRIP LENGTH:  $7,9^{+,8}_{-0}$  ( $5/16^{+1/32}_{-0}$ )
- INSTALLATION TOOLS: REF. DWGS. A41522, A41523, A41524, A41525

6,10 (.24)  
MAX. WIRE  
INSUL. DIA

04	10/06	DAW	DAW	ADDED -X PACKAGE QTY.	TRO0171	TRO	LCA
03	10/97	JAMB	WJB	CHANGED PERIODS TO COMMAS ON ALL METRIC DIMENSIONS.	06431	DBH	LCA
02	2/97	JKD	SKB	REMOVED B FROM PART NUMBER, BRAZED SEAM WAS BUTTED, ADDED CT-1551M TO NOTE	05699	DBH	LA
01	1/97	TM	RLS	UPDATE DIMENSIONS FILESPEC WAS NPC_A41422-00	05478	DBH	LA
00	10/91	BK	RLS	RELEASED	00687	KRS	LA
REV	DATE	BY	CHK	DESCRIPTION	ECN #	PM	CUST

A41422\_04

**PANDUIT** CORP.

TINLEY PARK, ILLINOIS

2PC. VINYL INSULATED METRIC RINGS  
2,5-6,0mm<sup>2</sup> BARREL

DRAWN BY	CHK'D	SCALE	DRAWING NO.
BDK	LA	NONE	A41422