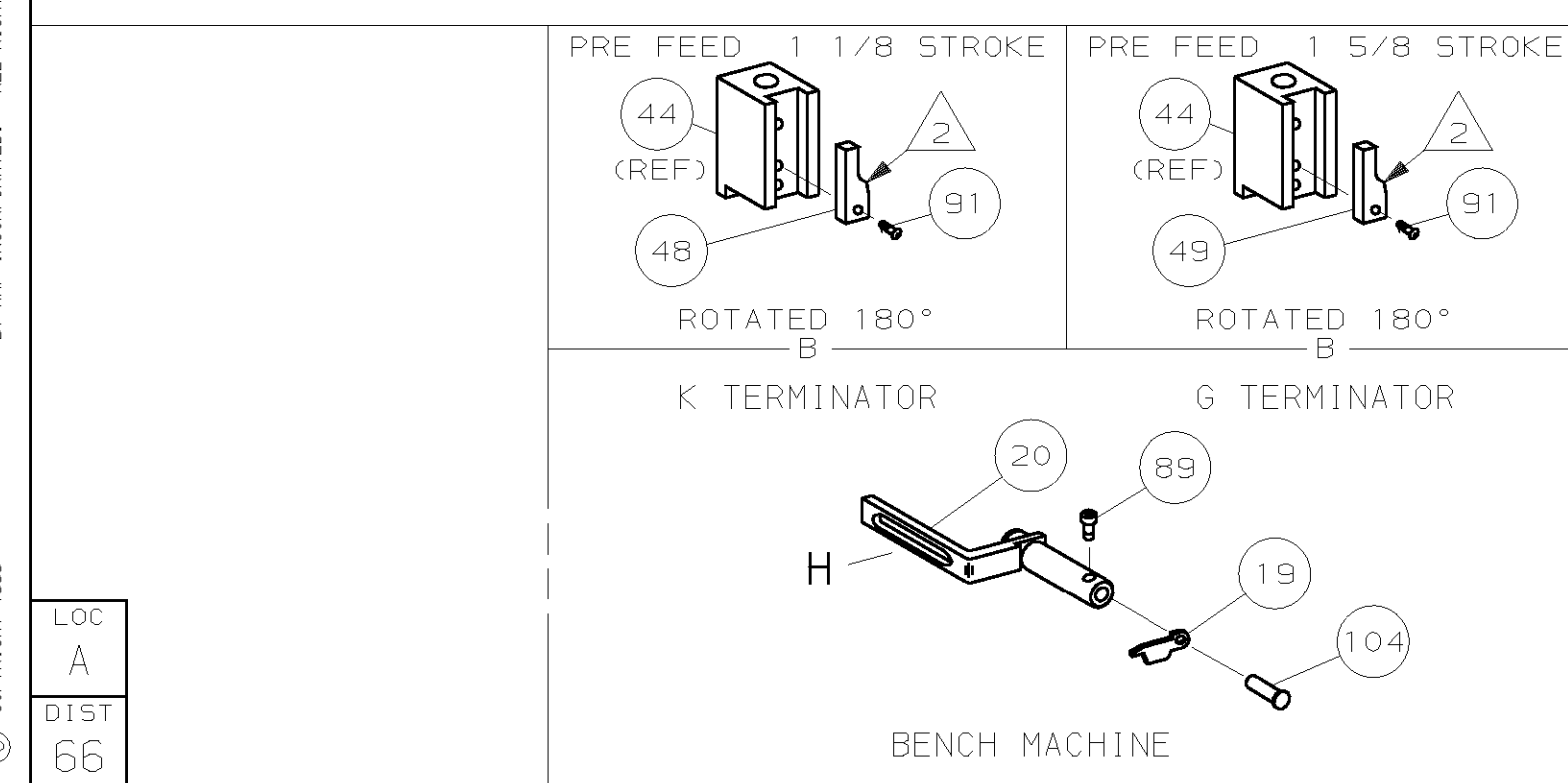
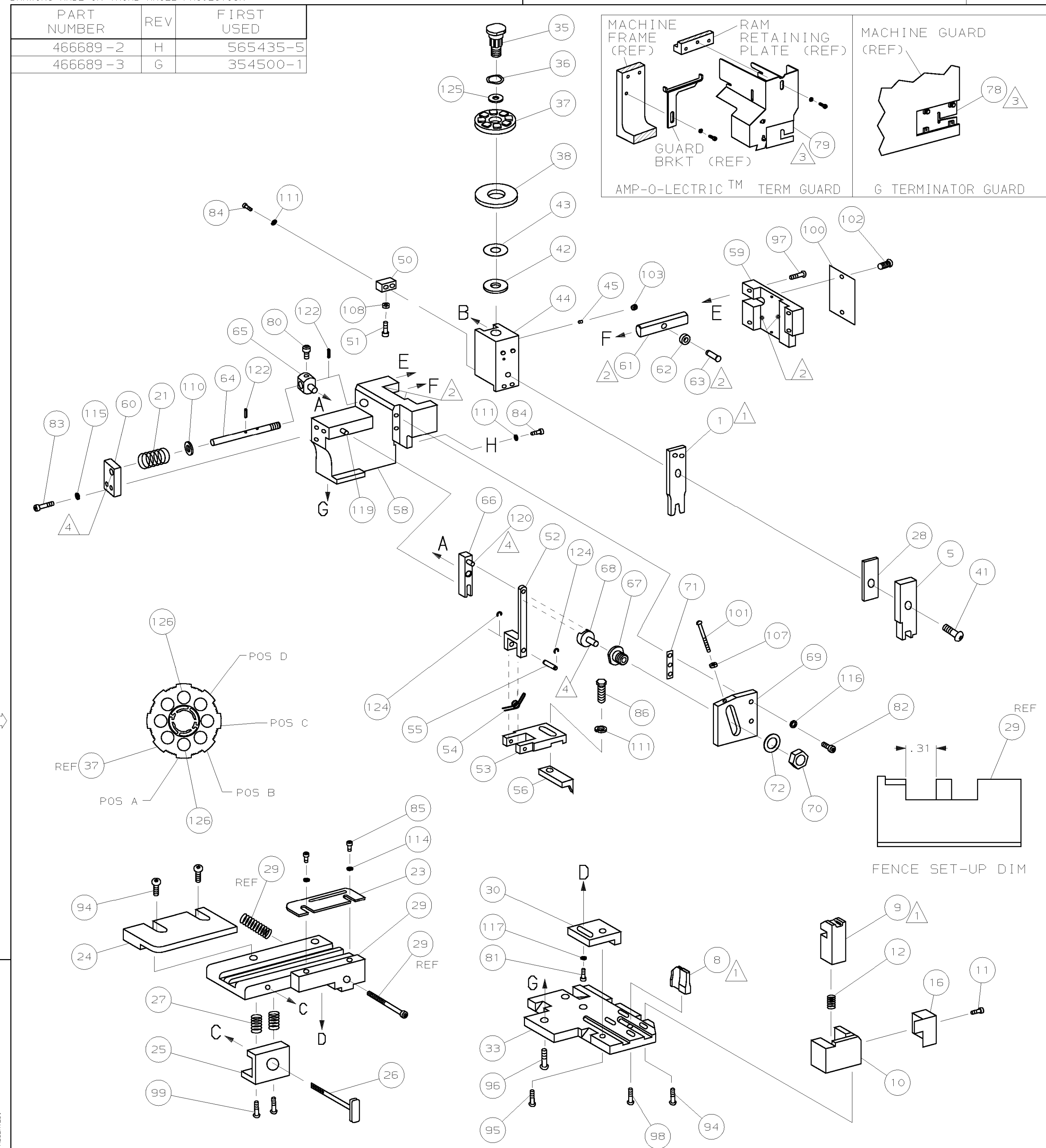


PART NUMBER	REV	FIRST USED
466689-2	H	565435-5
466689-3	G	354500-1



- 1 RECOMMENDED SPARE PARTS.
- 2 GREASE LIGHTLY.
- 3 GUARD MUST BE IN PLACE WHEN OPERATING APPLICATOR IN A BENCH MACHINE.
- 4 LUBRICATE DAILY USING NO. 20 MACHINE OIL.
- 5. ITEMS WITH QTY OF REF SPECIFIED (EXCEPT ITEMS 78 AND 79) ARE USED ON ITEM 46.
- 6 WIRE STRIP LENGTH BRAID .34, CENTER CONDUCTOR .16.
- 7 APPLICATOR WILL APPLY ONLY THE DASH NUMBER LISTED.

TERMINAL NAME: COAXIAL RF SERIES UHF MINI CONTACT			
CRIMPING DATA			
PAD LTR	CRIMP HEIGHT	WIRE SIZE	
A	.040 ±.002 [1.02 ±0.05mm]	RG 58 (20)	
B	.035 ±.002 [0.89 ±0.05mm]	21 AWG SOLID	
C	.036 ±.002 [0.93 ±0.05mm]	22 AWG STR	
D	NOT	USED	
CRIMP	SIZE	TYPE	RANGE
WIRE	.062 [1.57 mm]	F	RG 58 (22-20)
INSUL	-	-	-

QTY	REF	REV	U/M	DWG SIZE	PART NO	DESCRIPTION	ITEM NO
2	2	-	C		4-354779-9	PIN, WIRE DISC (.3235)C	129
2	2	-	C		5-354779-2	PIN, WIRE DISC (.3250)B	127
2	2	-	C		4-354779-4	PIN, WIRE DISC (.3210)A	126
1	1	-	A		986950-1	WASHER, FLAT PRECISION	125
REF	REF	-	A		21045-3	RING, RET "C" (Ø.187)FD FING PIN	124
REF	REF	-	A		5-21028-1	PIN, SLT 5PR (Ø.125x.50)ADJ ROD	122
REF	REF	-	A		1-21030-1	PIN, DOWEL (Ø.187x.50)LEVER	120
REF	REF	-	A		1-21030-6	PIN, DOWEL (Ø.187x1.25)HOUSING	119
1	1	-	A		21024-5	WASHER, LOCK (#10)ADJ BLOCK	117
REF	REF	-	A		21024-5	WASHER, LOCK (#10)ADJ PLATE	116
REF	REF	-	A		21024-5	WASHER, LOCK (#10)FEED GDE ROD	115
2	2	-	A		21024-2	WASHER, LOCK (#4)FRONT STP GUIDE	114
4	4	-	A		21024-4	WASHER, LOCK (#8)STRIPPER	111
REF	REF	-	A		21899-4	WASHER, FLAT (Ø5/16)SCREW ADJ	110
1	1	-	A		21018-5	NUT, HEX (NO. 6)HOLDDOWN	108
REF	REF	-	A		21018-5	NUT, HEX (6-32)FEED ADJ	107
1	1	-	A		992031-1	PIN, CLEVIS	104
1	1	-	A		21009-2	SCR, 5KT SET (1/4-20x.25 LW)RAM	103
2	2	-	A		21017-2	SCR, DRIVE (#2x.19)ID PLATE	102
REF	REF	-	A		6-23715-5	SCR, PAN HD (6-32x1.50)FEED ADJ	101
1	1	-	B		461264-1	PLATE, IDENTIFICATION	100
2	2	-	A		3-21002-0	SCR, BHC (10-32x.88)DRAG	99
1	1	-	A		22733-8	SCR, BHC (8-32x.38 LW)ANVIL	98
REF	REF	-	A		2-21002-9	SCR, BHC (10-32x.75)CAP	97
REF	REF	-	A		2-22733-8	SCR, BHC (1/4-20x.62)HOUSING	96
REF	REF	-	A		2-21002-7	SCR, BHC (10-32x.50)5G ADJ BLOCK	95
4	4	-	A		2-21002-2	SCR, BHC (8-32x.50)TERM H DWN	94
1	1	-	A		1-21002-7	SCR, BHC (6-32x.38)CAM	91
1	1	-	A		7-21000-9	SCR, SHC (4-40x.19)STRIPPER	90
1	1	-	A		2-22603-0	SCR, HEX HD (8-32x.31)FEED FINGER	86
2	2	-	A		1-21000-3	SCR, SHC (4-40x.25)F ST GUIDE	85
3	3	-	A		2-21000-7	SCR, SHC (8-32x.50)STRIPPER	84
REF	REF	-	A		3-21000-7	SCR, SHC (10-32x.75)FEED ROD 6D	83
REF	REF	-	A		3-21000-6	SCR, SHC (10-32x.62)FD ADJ BLK	82
1	1	-	A		3-21000-4	SCR, SHC (10-32x.38)5G ADJ BL	81
REF	REF	-	A		3-21000-4	SCR, SHC (10-32x.38)PIVOT BLK	80
-	REF	-	B		455749-1	GUARD, WINDOW	79
REF	-	-	B		679532-1	INSERT, GUARD	78
							77
							76
							75
							74
							73
							72
REF	REF	-	A		458109-1	WASHER, SPECIAL	71
REF	REF	-	A		690517-1	SPACER	70
-3	-2	U/M	DWG SIZE		PART NO	DESCRIPTION	ITEM NO

QTY REQD PER ASSY				PARTS LIST			
	H	0150-9637-99	MEH	10-99			
	G	015A-0414-99	-	-			
	F1	0150-9573-99, ADD -3	MEH	9-99			
	F	0150-7810-97	TB	6-97			
	E	0150-6393-95	MO	9/95			
	D	0150-6151-95	CE	5/95			
	P/F	LTR	REVISION RECORD	APP	DATE		

-2		BENCH MODEL K		MECH PRE FEED		
-3		BENCH MODEL G		MECH PRE FEED		
REF	REF	-	B	22594-8	NUT, HEX (1/2-20)	70
REF	REF	-	B	240628-1	PLATE, ADJUSTMENT	69
REF	REF	-	B	240626-1	SHAFT, PIVOT	68
REF	REF	-	B	240633-1	BUSHING	67
REF	REF	-	A	455680-1	LEVER, INTERMEDIATE	66
REF	REF	-	B	240629-1	BLOCK, PIVOT	65
REF	REF	-	A	240632-2	SCREW, ADJ FEED ROD	64
REF	REF	-	B	240659-3	PIN, CAM ROLLER	63
REF	REF	-	B	240658-1	ROLLER, CAM	62
REF	REF	-	B	454398-2	ROD, FEED	61
REF	REF	-	A	454178-1	GUIDE, FEED ROD	60
REF	REF	-	C	454220-1	CAP, RAM	59
REF	REF	-	D	454485-1	HOUSING	58
						57
1	1	-	B	690542-2	PAWL, FEED	56
REF	REF	-	B	240624-1	PIN, FEED FINGER	55
REF	REF	-	B	691499-1	SPRING, FEED FINGER	54
REF	REF	-	B	690541-1	HOLDER, FEED FINGER	53
REF	REF	-	A	455679-1	LEVER, TERMINAL FEED ARM	52
1	1	-	A	811242-2	BUMPER, HOLDDOWN	51
1	1	-	A	690753-1	SPACER, TONKER	50
1	-	-	B	690602-6	CAM, PRE-FEED 1 5/8 ST	49
-	1	-	B	690602-5	CAM, PRE-FEED 1 1/8 ST	48
						47
1	1	-	B	459456-1	APPLICATOR, BASIC (SUBASSY)	46
1	1	-	A	690191-1	PLUG, NYLON	45
1	1	-	C	455673-1	RAM	44
1	1	-	A	690125-1	WASHER, LAMINATED	43
1	1	-	A	690124-1	WASHER, RAM	42
1	1	-	A	7-21002-9	BOLT, CRIMPER (5/16x1.00)	41
						40
						39
1	1	-	A	690223-2	SPACER, INSULATION DISC	38
1	1	-	D	354777-1	WIRE DISC, PLASTIC	37
1	1	-	A	22480-5	WASHER, SPRING	36
1	1	-	B	690212-1	POST, RAM	35
						34
REF	REF	-	D	455675-1	PLATE, BASE	33
						32
						31
REF	REF	-	B	455689-1	BLOCK, STRIP GUIDE ADJ	30
1	1	-	C	318756-1	PLATE, STRIP GUIDE	29
1	1	-	C	1-455888-0	SPACER, FRONT SHEAR DEP	28
2	2	-	A	1-22284-0	SPRING, DRAG	27
1	1	-	B	690546-1	LEVER, DRAG RELEASE	26
1	1	-	B	240792-1	DRAG, TERMINAL	25
1	1	-	D	6-690504-3	GUIDE, STRIP (REAR)	24
1	1	-	A	690438-1	GUIDE, STRIP (FRONT)	23
						22
REF	REF	-	A	4-22284-9	SPRING, FEED RETURN	21
1	1	-	A	679218-1	STRIPPER WIRE STOP ASSY	20
1	1	-	B	458949-1	STRIPPER	19
						18
						17
1	1	-	B	691667-1	GUARD, CHIP (FRONT)	16
						15
						14
						13
1	1	-	A	5-22280-0	SPRING, SHEAR	12
1	1	-	B	690461-1	STOP, SHEAR	11
1	1	-	C	690459-7	HOLDER, SHEAR (FRONT)	10
1	1	-	C	468818-1	SHEAR, FLOAT (FRONT)	9
1	1	-	C	8-690512-1	ANVIL	8
						7
						6
1	1	-	C	468830-1	DEPRESSOR, SHEAR (FRONT)	5
						4
						3
						2
1	1	-	C	2-456403-4	CRIMPER, WIRE	1

-3		-2		U/M		DWG SIZE		PART NO		DESCRIPTION		ITEM NO					
REVISION OF EACH ASSY NO (WHEN BLANK, USE DWG REVISION)																	
QTY REQD PER ASSY				PARTS LIST													
DIMENSIONS IN INCHES. DO NOT SCALE PRINT.												MATERIAL		HT TR		FIN	
TOLERANCES UNLESS OTHERWISE SPECIFIED:												DR		APP		MACHINE REF	
2 PLC DEC ±.02												L. COLLINS		5/19/95		T. BEDDICK	
3 PLC DEC ±.												CHK 5-30-95		REL 6/9/95		AMP	
4 PLC DEC ±.												C. ERISMAN		B. MORGAN		AMP Incorporated	
ANGLES ±.												NAME		SCALE		SHEET	
SURF TEXTURE. ✓												SIDE FEED HDM APPLICATOR		DWG NO		REV	
REMOVE BURRS, BREAK SHARP EDGES R.015 MAX												SCALE		D		1 OF 1	
CASE CODE												NO		466689		H	
00779												CUSTOMER AND ASSEMBLY DRAWING				RESTRICTED TO	

THIS DRAWING IS A CONTROLLED DOCUMENT.

RELEASED FOR PUBLICATION SEP 13, 1995 BY AMP INCORPORATED. ALL RIGHTS RESERVED.