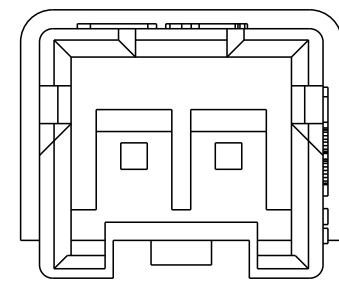
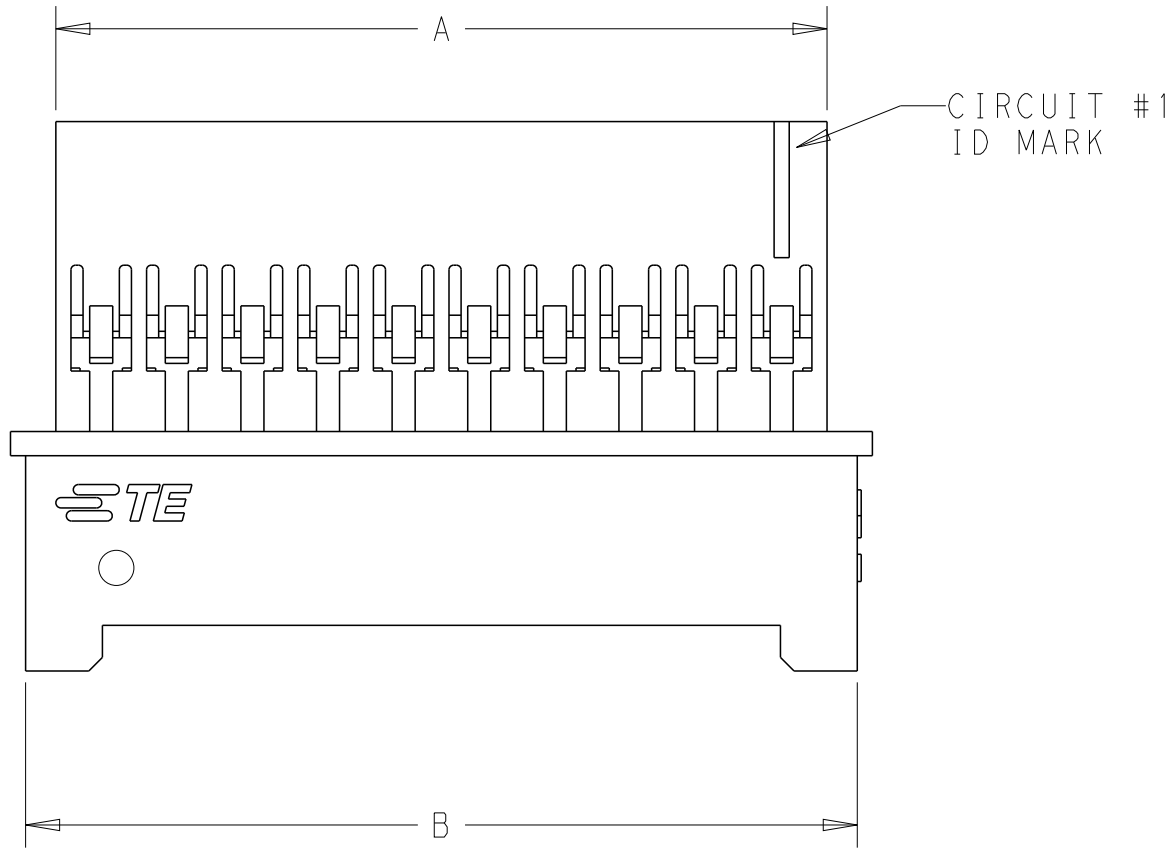
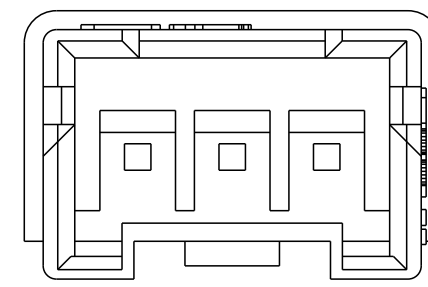


THIS DRAWING IS UNPUBLISHED. RELEASED FOR PUBLICATION
 © COPYRIGHT 20 BY - ALL RIGHTS RESERVED.

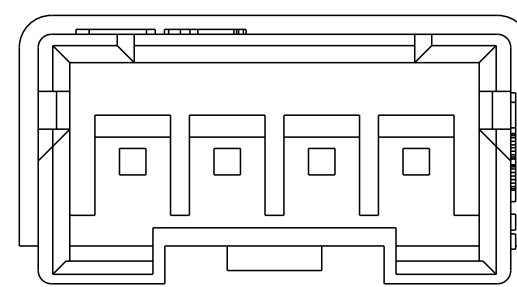
LOC		DIST		REVISIONS			
P	LTR	DESCRIPTION		DATE	DWN	APVD	
	B1	REVISED PER ECR-15-008087		29MAY2015	NK	JR	



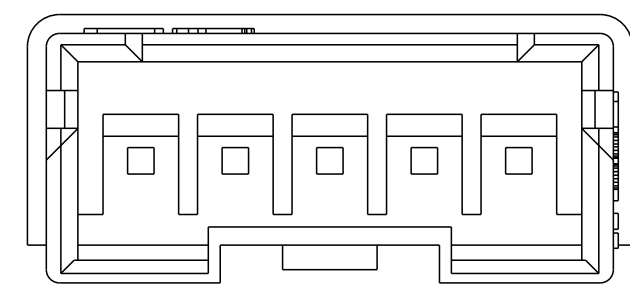
2 POSITION
1969588-2



3 POSITION
1969588-3

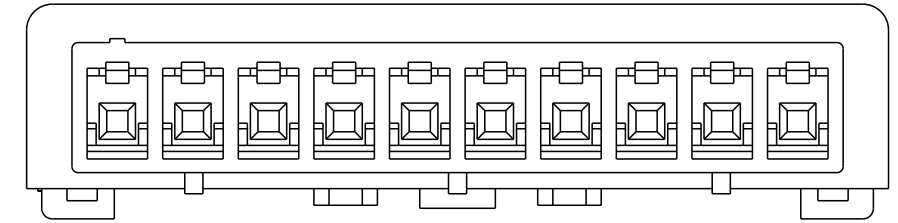
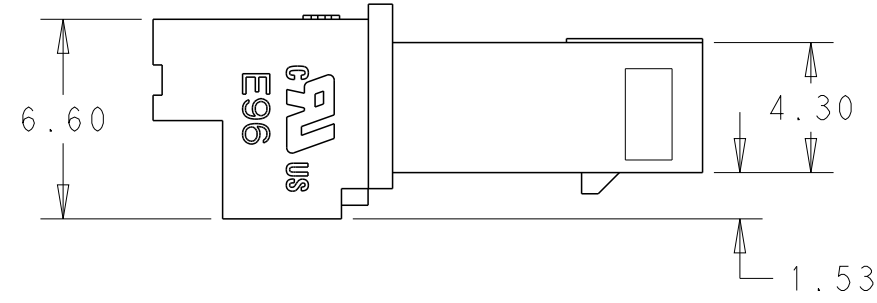
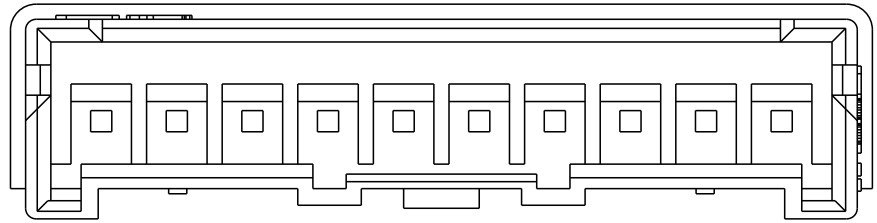


4 POSITION
1969588-4

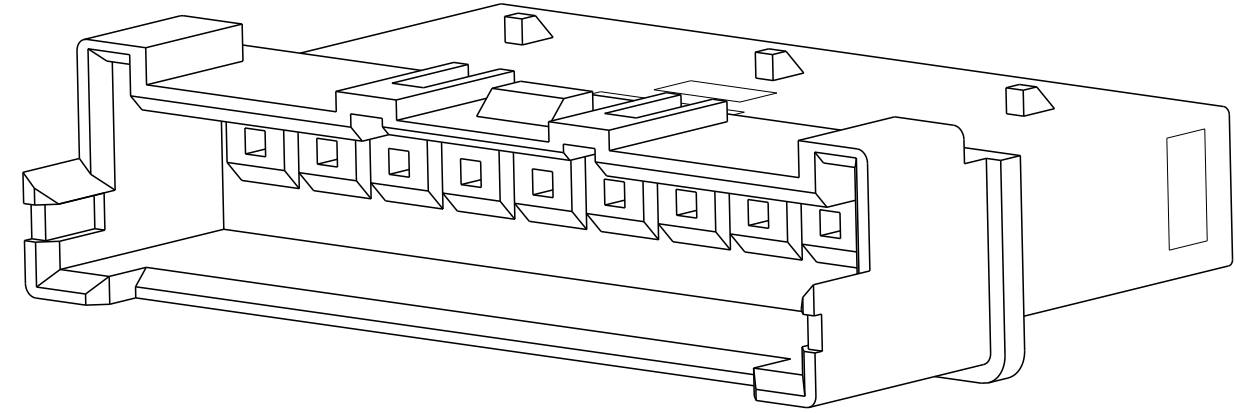
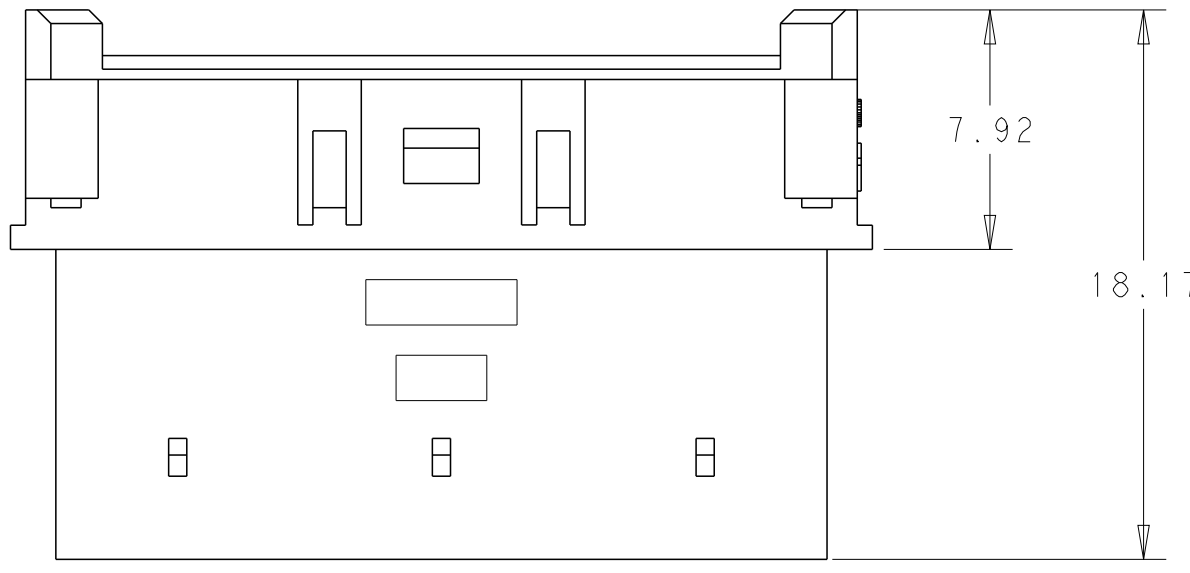


5 POSITION
1969588-5

1. MATERIAL: NYLON UL94V-0, COLOR: NATURAL
2. ACCEPTS TE PIN CONTACTS P/N'S 2238007-()
3. HOUSING ACCEPTS OPTIONAL TPA P/N'S 1969443-()
4. MATES WITH TE PLUG HOUSINGS P/N'S 1969442-()



6 - 15 POSITION
1969588-6 TO 1-1969588-5



SCALE 5:1

POS	DIM. B	DIM. A	PART NO.
15	40.00	38.00	1-1969588-5
14	37.50	35.50	1-1969588-4
13	35.00	33.00	1-1969588-3
12	32.50	30.50	1-1969588-2
11	30.00	28.00	1-1969588-1
10	27.50	25.50	1-1969588-0
9	25.00	23.00	1969588-9
8	22.50	20.50	1969588-8
7	20.00	18.00	1969588-7
6	17.50	15.50	1969588-6
5	15.00	13.00	1969588-5
4	12.50	10.50	1969588-4
3	10.00	8.00	1969588-3
2	7.50	5.50	1969588-2

THIS DRAWING IS A CONTROLLED DOCUMENT.

DIMENSIONS: mm	TOLERANCES UNLESS OTHERWISE SPECIFIED:	DWN: A. NOEL 030C2012	TE Connectivity NAME: ECONOMY POWER 2.5, HOUSING WIRE TO WIRE
0 PLC ±	1 PLC ±	CHK -	
2 PLC ±0.20	3 PLC ±	APVD -	
4 PLC ±	ANGLES ±	FINISH ±	
MATERIAL	SEE NOTES	PRODUCT SPEC: 108-2418	SIZE: A2
SEE NOTES	SEE NOTES	APPLICATION SPEC: 114-13315	CAGE CODE: 00779
		WEIGHT: -	DRAWING NO: C-1969588
		Customer Drawing	RESTRICTED TO: -
		SCALE: 3:1	SHEET 1 OF 1
			REV: B1