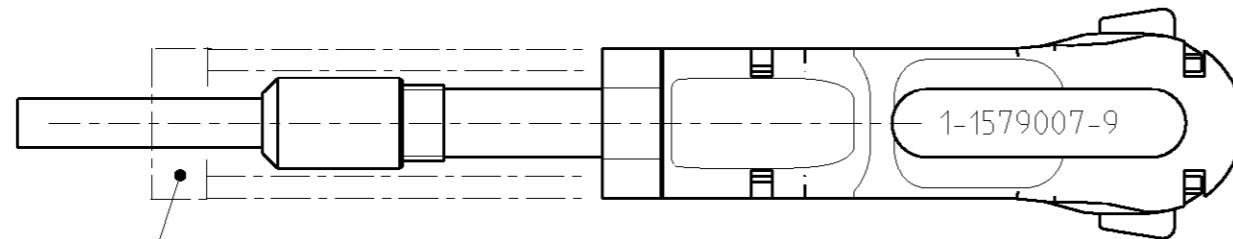
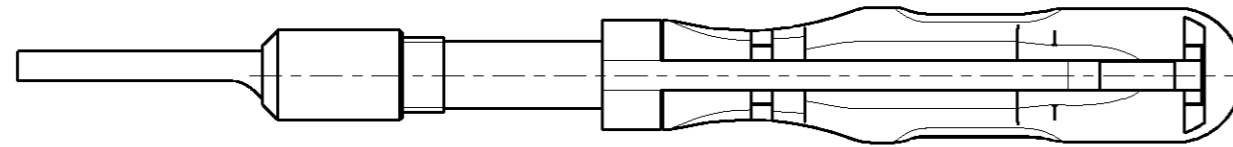
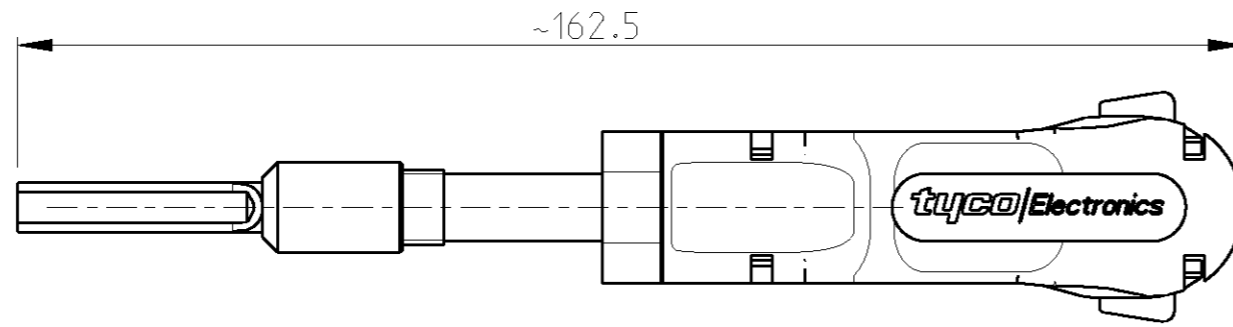
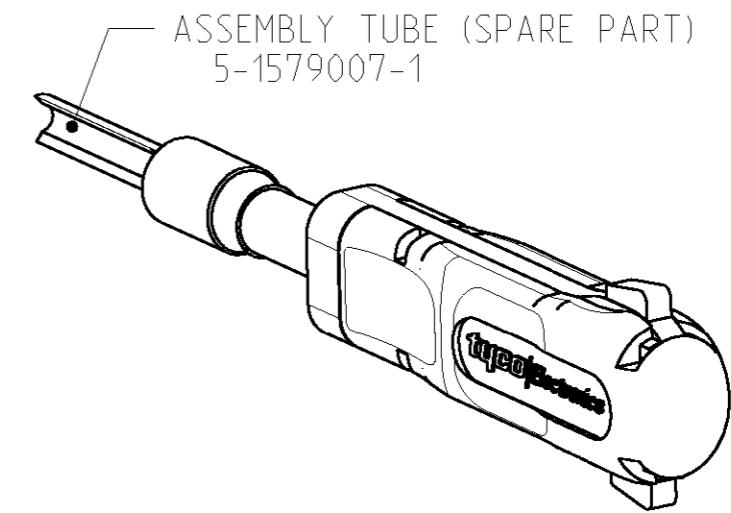


THIS DRAWING IS UNPUBLISHED. RELEASED FOR PUBLICATION 2003
 © COPYRIGHT 2003 BY TYCO ELECTRONICS CORPORATION. ALL RIGHTS RESERVED.

LOC	DIST	REVISIONS					
		P	LTR	DESCRIPTION	DATE	DWN	APVD
A1	-		A	EGCO-0137-03	16JAN2004	ZA	-
			A1	EGCO-0153-04	26MAY2004	ZA	-



COVER SLIDE
Schutzschieber



FOR CONTACTS : PIN / SOCKET Ø4mm

(REPLACEMENT FOR TOOLS 518 096-1, 539 967-2, 658 012-1)

<small>THIS DRAWING IS A CONTROLLED DOCUMENT FOR TYCO ELECTRONICS CORPORATION IT IS SUBJECT TO CHANGE AND THE CONTROLLING ENGINEERING ORGANIZATION SHOULD BE CONTACTED FOR THE LATEST REVISION.</small>		DWN J. ZAJICEK 20JAN2004 CHK - APVD - PRODUCT SPEC - APPLICATION SPEC - WEIGHT -		tyco Electronics		tyco Electronics AMP GmbH D - 64625 Bensheim	
DIMENSIONS: mm 		TOLERANCES UNLESS OTHERWISE SPECIFIED: 0 PLC ± 1 PLC ± 2 PLC ± 3 PLC ± 4 PLC ± ANGLES ±1°		NAME ASSEMBLY TOOL Montagewerkzeug			
MATERIAL FINISH -		CUSTOMER DRAWING		SIZE A3	CAGE CODE 00779	DRAWING NO C=1-1579007-9	RESTRICTED TO -
SCALE 1:1				SHEET 1 OF 1	REV A1		