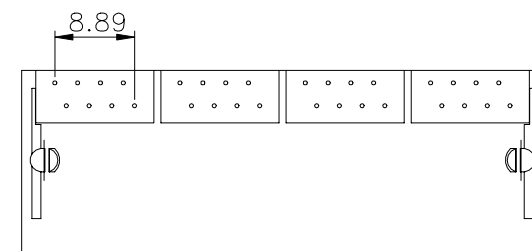
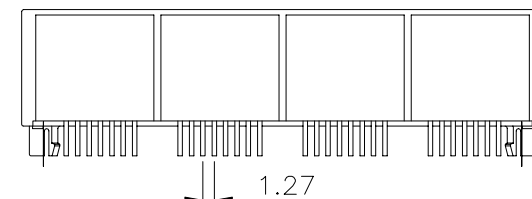
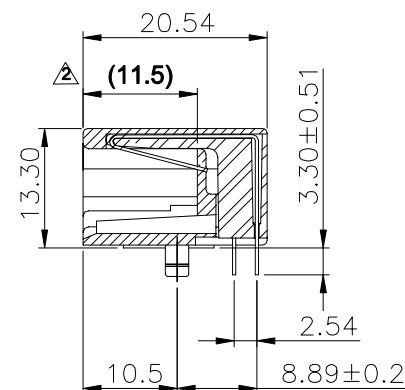
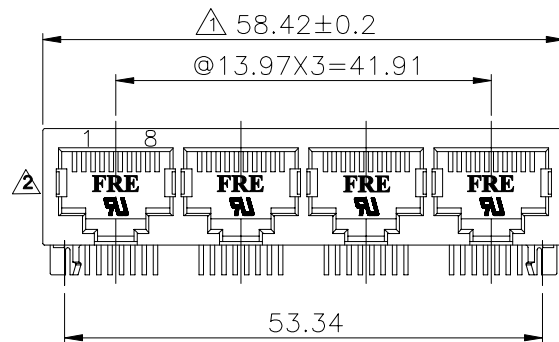


REVISION RECORD				
REV	ECO	DESCRIPTION	DRFT	CHKD
△		DRAWING MODIFY	JAMY	
			4/19/08	
△		DRAWING MODIFY	Yuan	
			08/01/06	



NOTES:

ELECTRICAL:

1. VOLTAGE RATING : 125 VAC RMS.
2. CURRENT RATING : 1.5 AMP.
3. CONTACT RESISTANCE : 35 MILLIOHMS MAX.
4. INSULATION RESISTANCE: 1000 MEGOHMS MIN @ 500 VDC.
5. DIELECTRIC STRENGTH : 1000 VAC RMS 60Hz, 1MIN.

MECHANICAL:

1. HOUSING MATERIAL : NYLON+G.F.30% UL94V-0.COLOR YELLOW
2. CONTACT MATERIAL : PHOSPHOR BRONZE  $\phi$ 0.46mm.
3. PLATING : GOLD PLATING OVER NICKEL.
4. OPERATING LIFE : 750 CYCLES MIN.
5. PCB RETENTION PRE-SOLDER : 1 LB MIN.
6. PCB RETENTION POST-SOLDER: 10 LBS MIN.

ENVIRONMENTAL:

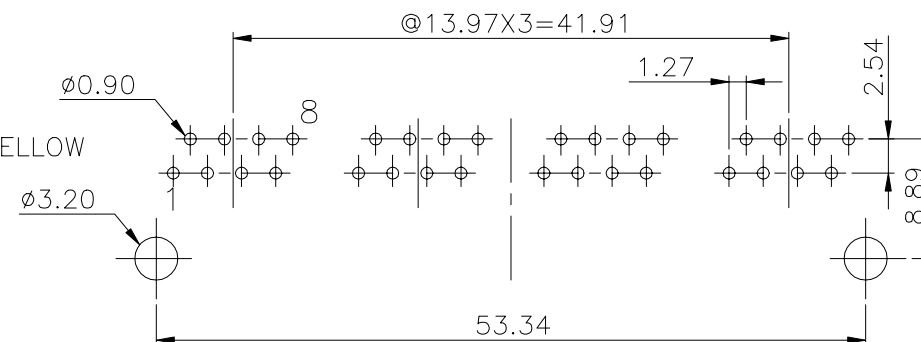
1. STORAGE : -40°C TO +85°C.
2. OPERATION: -40°C TO +85°C.
3. WAVE SOLDERING TEMPERATURE:255°C TO 265°C(5~10 SECONDS).

**4. RoHS COMPLIANT**

MATES WITH MODULAR PLUG CONFORMING TO FCC PART 68, SUBPART F.

ROHS PART NUMBER: E5908-00CL8X-L

2- 6u" 5-50u"  
3-15u" 4-30u"



PC Board Layout Component Side Shown

MM (INCH)		DFTO JAMY	DATE 10/17/05
TOLERANCES EXCEPT AS NOTED		CHKD ANKUE	DATE 2006/8/3
		MFO	DATE
		APPV LUSHENG	DATE 2006/8/3
		MATERIAL :	
		QT'Y :	
		FINISH :	
		SCALE : 1.5:1	



RoHS Compliant

FULL RISE ELECTRONIC CO., LTD

TITLE		20.57 PCB JACK 8P	
DRAWING NO. GE593266-LA		SIZE	REV
/PART NO. SEE NOTE		A3	2
DO NOT SCALE DRAWING		SHEET X	OF Y