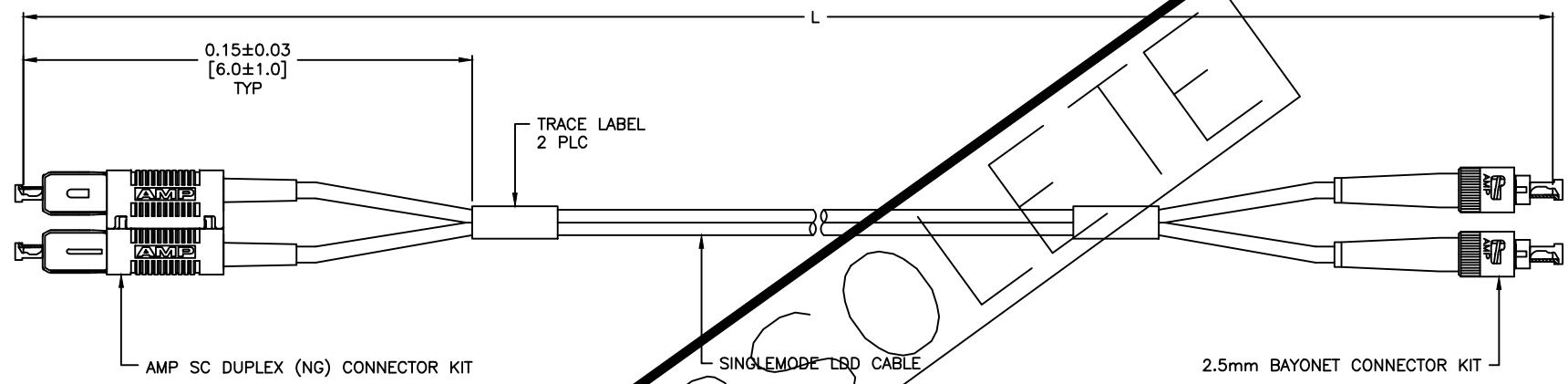


THIS DRAWING IS UNPUBLISHED. RELEASED FOR PUBLICATION  
 © COPYRIGHT BY TYCO ELECTRONICS CORPORATION. ALL RIGHTS RESERVED.

LOC	DIST	REVISIONS			
P	LTR	DESCRIPTION	DATE	OWN	APPD
CE	-	B1	OBSOLETE; MCO- 40024536MCO	13SEP2015	HG TE

1. DIMENSIONS IN [ ] ARE IN INCHES
2. MAXIMUM INSERTION LOSS IS 0.5dB PLUS CABLE ATTENUATION OF 0.7dB/km AT 1310nm (SEE TABLE)
3. 50 dB MIN RETURN LOSS
4. PRODUCT AND PROCESSING MUST MEET REQUIREMENTS OF TYCO ELECTRONICS STANDARD 230-702



MAX IL (dB)	L METERS [INCHES]	PART NUMBER
0.50	12.00±0.15 [472.4±6.0]	1-5492020-2
0.60	144.78±0.61 [5700±24]	1-5492020-1
0.51	25±0.3 [984±12]	1-5492020-0
0.50	9±0.15 [354±6]	5492020-9
0.50	7±0.08 [276±3]	5492020-8
0.51	20±0.3 [787±12]	5492020-7
0.50	15±0.15 [591±6]	5492020-6
0.50	10±0.15 [394±6]	5492020-5
0.50	5±0.08 [197±3]	5492020-4
0.50	3±0.05 [118±2]	5492020-3
0.50	2±0.05 [79±2]	5492020-2
0.50	1±0.05 [39±2]	5492020-1

THIS DRAWING IS A CONTROLLED DOCUMENT.

DRW C.S.VASU 02 JAN 06	CHK J.DUNCAN 02 JAN 06	APPRO J.DUNCAN 02 JAN 06	NAME CABLE ASSEMBLY, FIBER OPTIC, SINGLEMODE LDD, AMP SC DUPLEX (NG) TO 2.5mm BAYONET, OPTIMATE
DIMENSIONS: METERS[INCHES]		TOLERANCES UNLESS OTHERWISE SPECIFIED:	SIZE A2
0 PLC ± -	1 PLC ± -	2 PLC ± -	CAGE CODE 00779
3 PLC ± -	4 PLC ± -	ANGLES ± -	DRAWING NO C-5492020
MATERIAL	FINISH	WEIGHT	RESTRICTED TO

CUSTOMER DRAWING

SCALE NTS SHEET 1 OF 1 REV B1