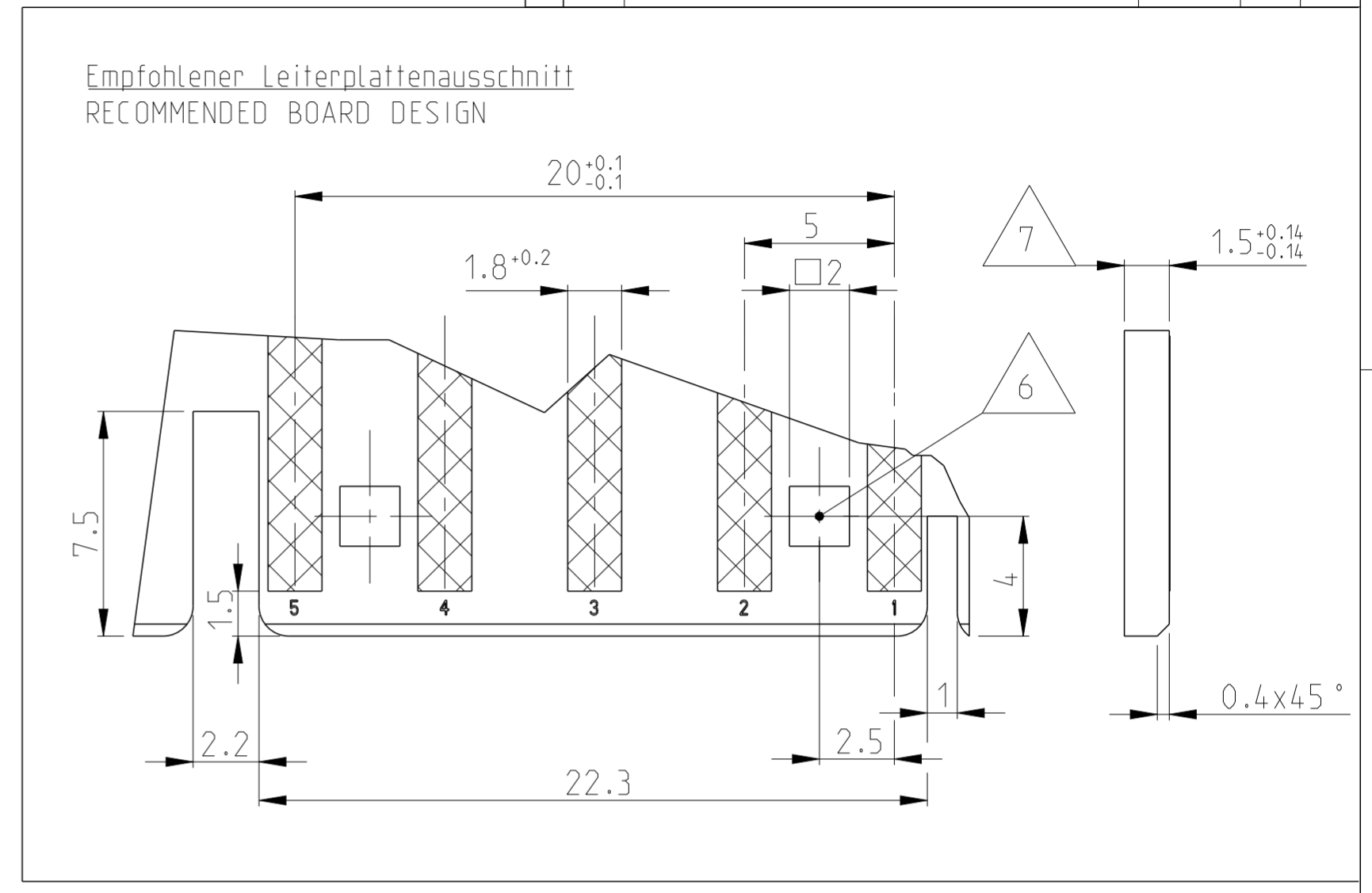
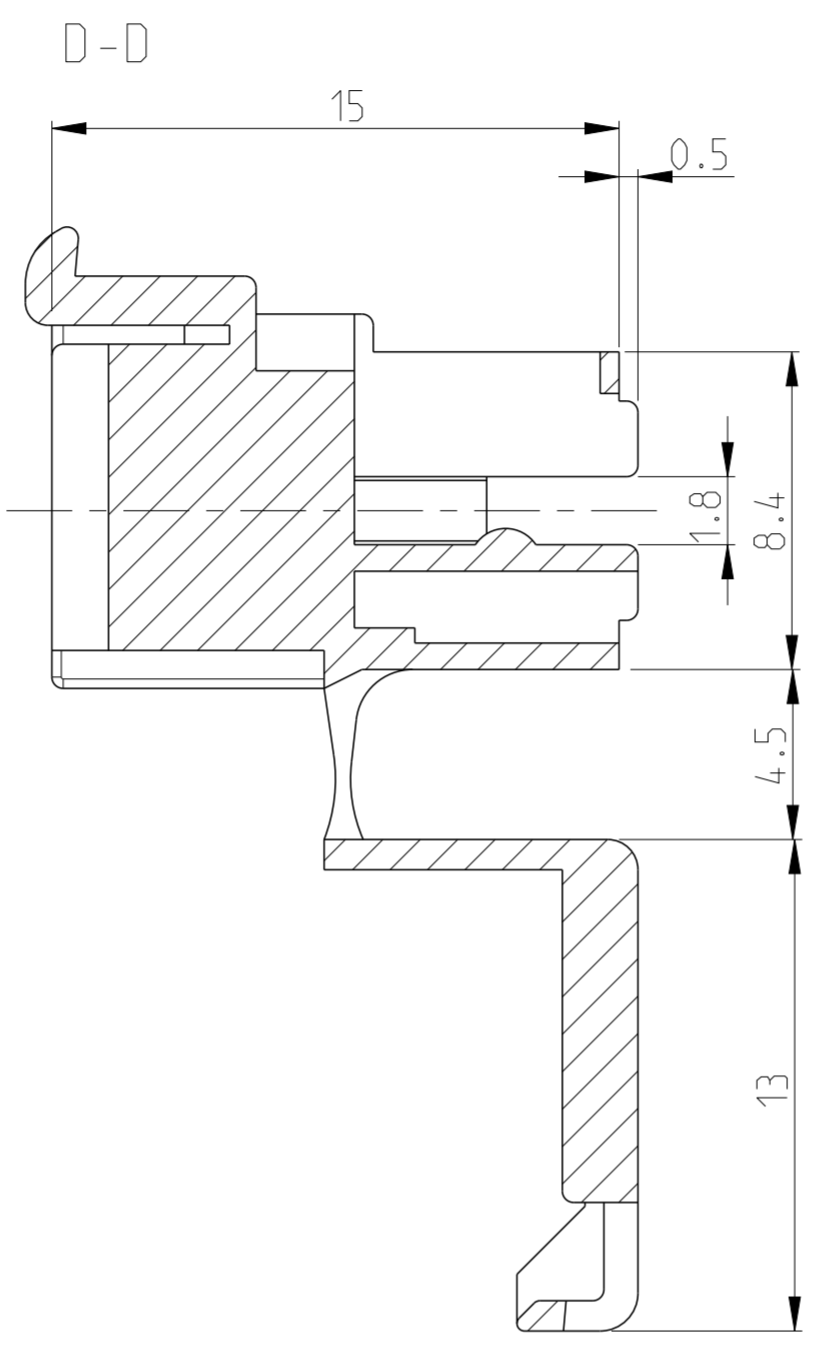
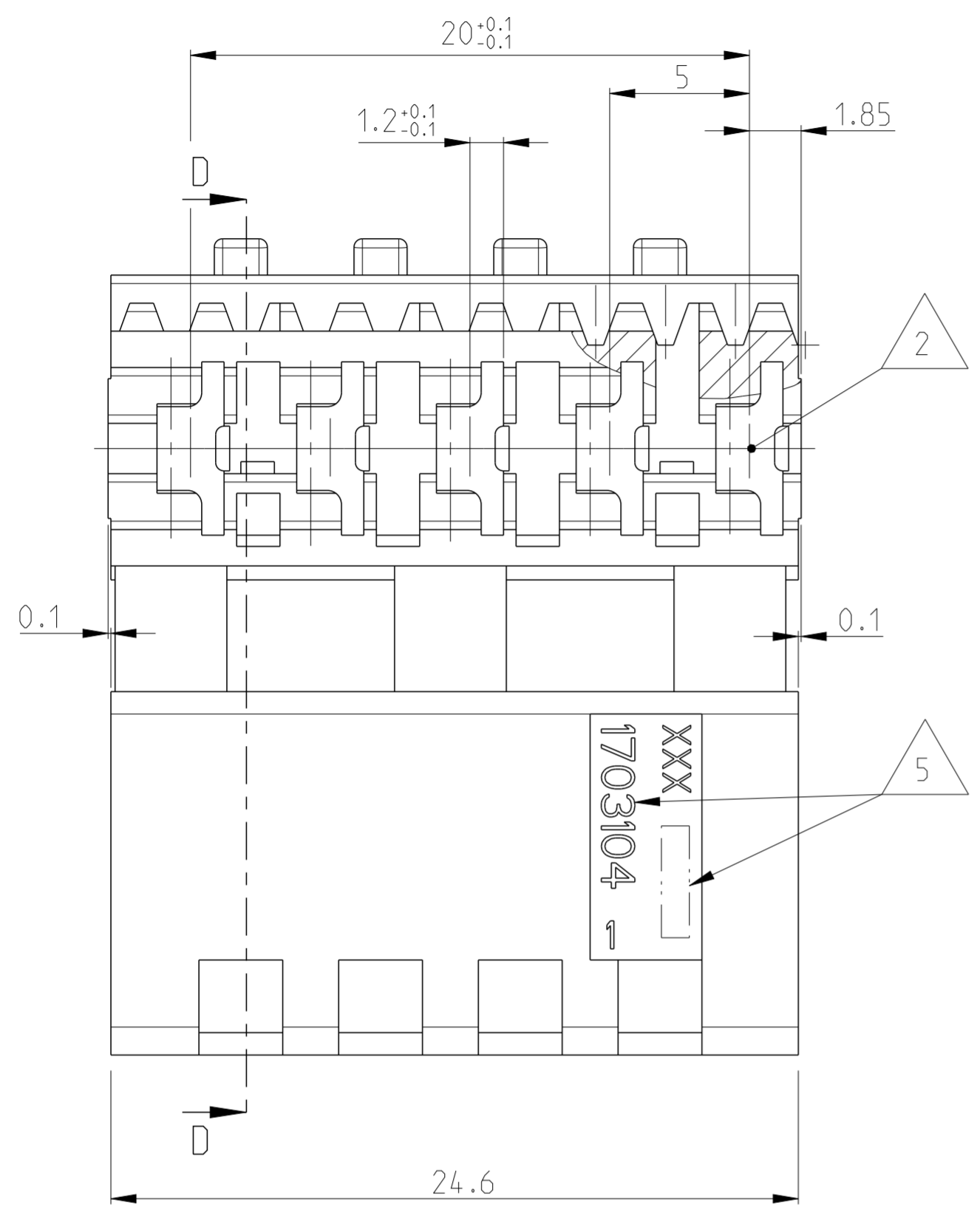
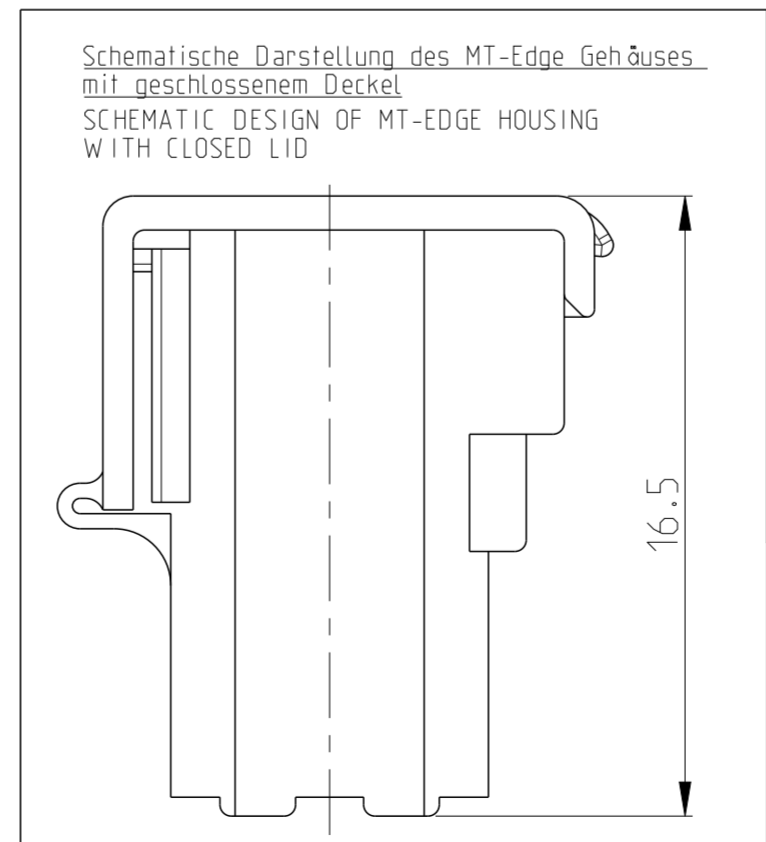
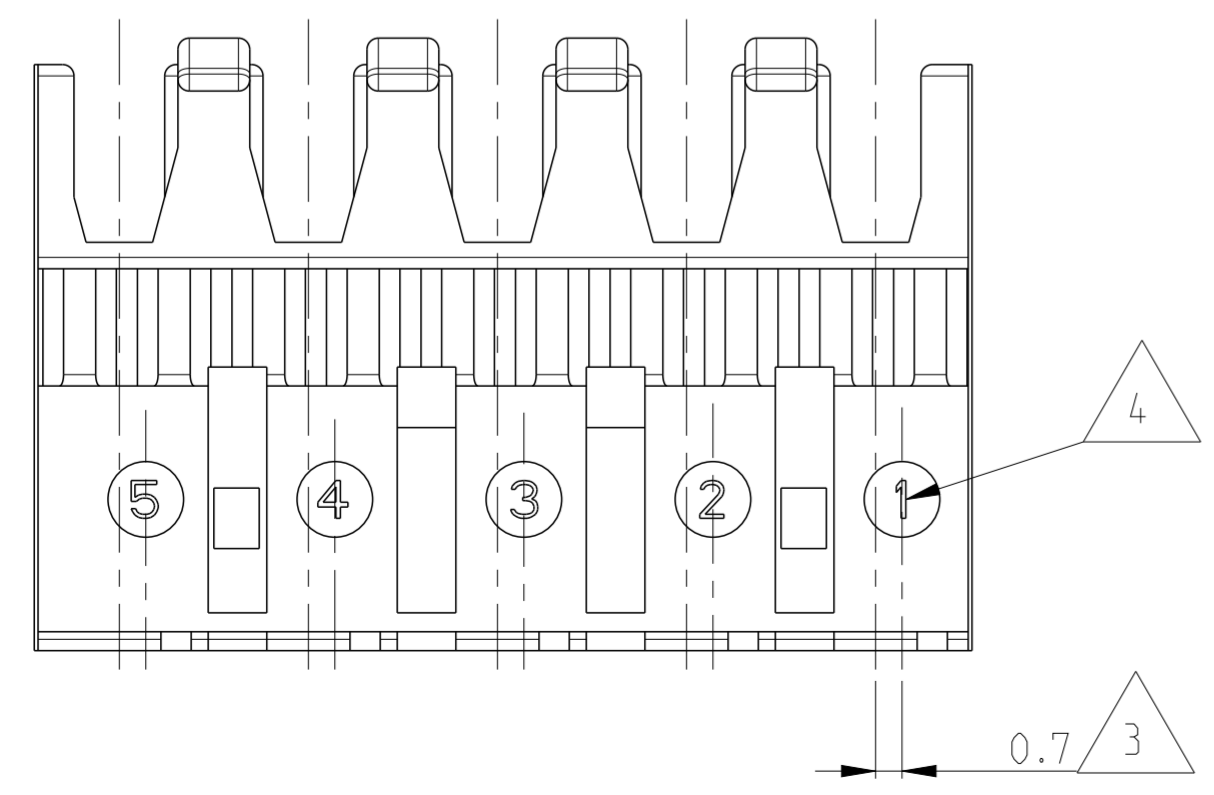


LOC		DIST		REVISIONS			
P	LTR	DESCRIPTION	DATE	DWN	APVD		
A1	-	C2	REVISIED PER ECR-16-012572	04OCT2016	BW	RS	



Bemerkungen
NOTES

- 1 Massgebend ist der deutsche Text
ONLY THE GERMAN-LANGUAGE VERSION SHALL BE BINDING
- 2 Lage des Kontaktpunktes auf der Leiterplatte; Abweichung ±0.4
POSITION OF CONTACT POINT ON BOARD; DEVIATION ±0.4
- 3 Kontaktierung zur Drahtmitte um 0.7mm versetzt
CONTACTING 0.7mm DISPLACED TO WIRE CENTRELINE
- 4 Kontaktkammer-Nr.
CONTACT CAVITY #
- 5 Firmenlogo und Leergehäuse-Nr.
ARTWORK LOGO AND HOUSING # (NON LOADED)
- 6 Vierkantloch 2x2 mm wahlweise Rastloch Ø2.5 mm
SQUARE HOLE 2x2 mm OPTIONAL LOCKING HOLE Ø2.5mm
- 7 Ausführung nach DIN 60249-2-4
BOARD DESIGN ACCORDING TO DIN 60249-2-4
- 8 Crimp Kontakt-Nr.:
Material: CuSn4
CRIMP CONTACT #: 926770-1, 926917-1
MATERIAL: CuSn4



THIS DRAWING IS A CONTROLLED DOCUMENT.		DWN MAHNKE, B. 22SEP2004	1703104-1		MT-EDGE HOUSING	NATURE
DIMENSIONS: mm		CHK STREDAK, F. 20DEC2004	PART-NO.:		DESCRIPTION	COLOUR
TOLERANCES UNLESS OTHERWISE SPECIFIED:		APVD BLEICHER, M. 21DEC2004	5 POS. MT-EDGE HOUSING		RAST 5mm	
0 PLC ±-		PRODUCT SPEC	108-18003		-	
1 PLC ±0.2mm		APPLICATION SPEC	114-18002		-	
2 PLC ±-		WEIGHT	2.480 g		-	
3 PLC ±-		CUSTOMER DRAWING	SCALE 5:1		SHEET 1 OF 1	
4 PLC ±-		RESTRICTED TO	-		REV C2	
ANGLES ±1°		MATERIAL PA.6.6 / UL94V-2		DRAWING NO. C-1703104		