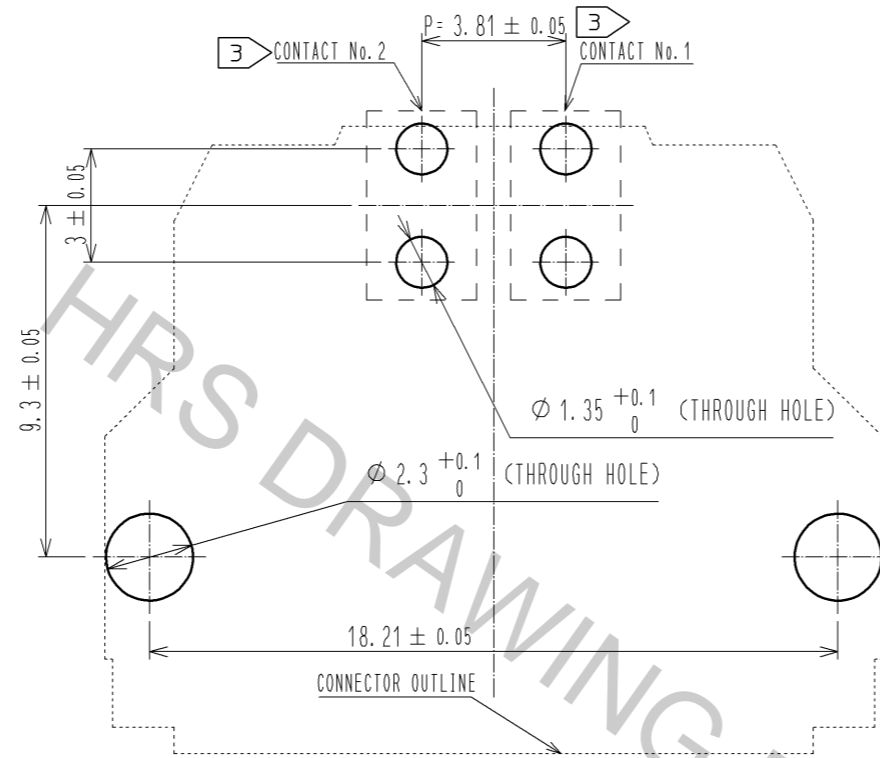


- NOTE
- 1 THIS PRODUCT IS PACKAGED IN TRAY. (35pcs/TRAY)
 - 2 BLEMISH AND HIT MARK CAN BE OCCURED THROUGH OUT THE MANUFACTURING PROCESS WHICH DOESN'T AFFECT QUALITY LEVEL. ALSO, BLACK SPOT COULD BE OBSERVED ON THE SURFACE OF HOUSING.
 - 3 FOR THE CONTACT NO., ADJACENT TWO PAIRS OF LEADS PLACED BACK-TO-BACK (4 LEADS IN TOTAL) COMPOSE ONE LINE.
 - 4 MISALIGNMENT ABSORBING RANGE: $\pm 0.3\text{mm}$ max.
 - 5 THE DIMENSION IN PARENTHESES ARE FOR REFERENCES.
 - 6 LOT NO. IS INDICATED AT EITHER ONE OF THE POSITION AS SHOWN.
 - 7 POSSIBLE SHORT SHOT AND/OR BURR AT THE INDICATED AREA DOES NOT AFFECT THE PRODUCT QUALITY.

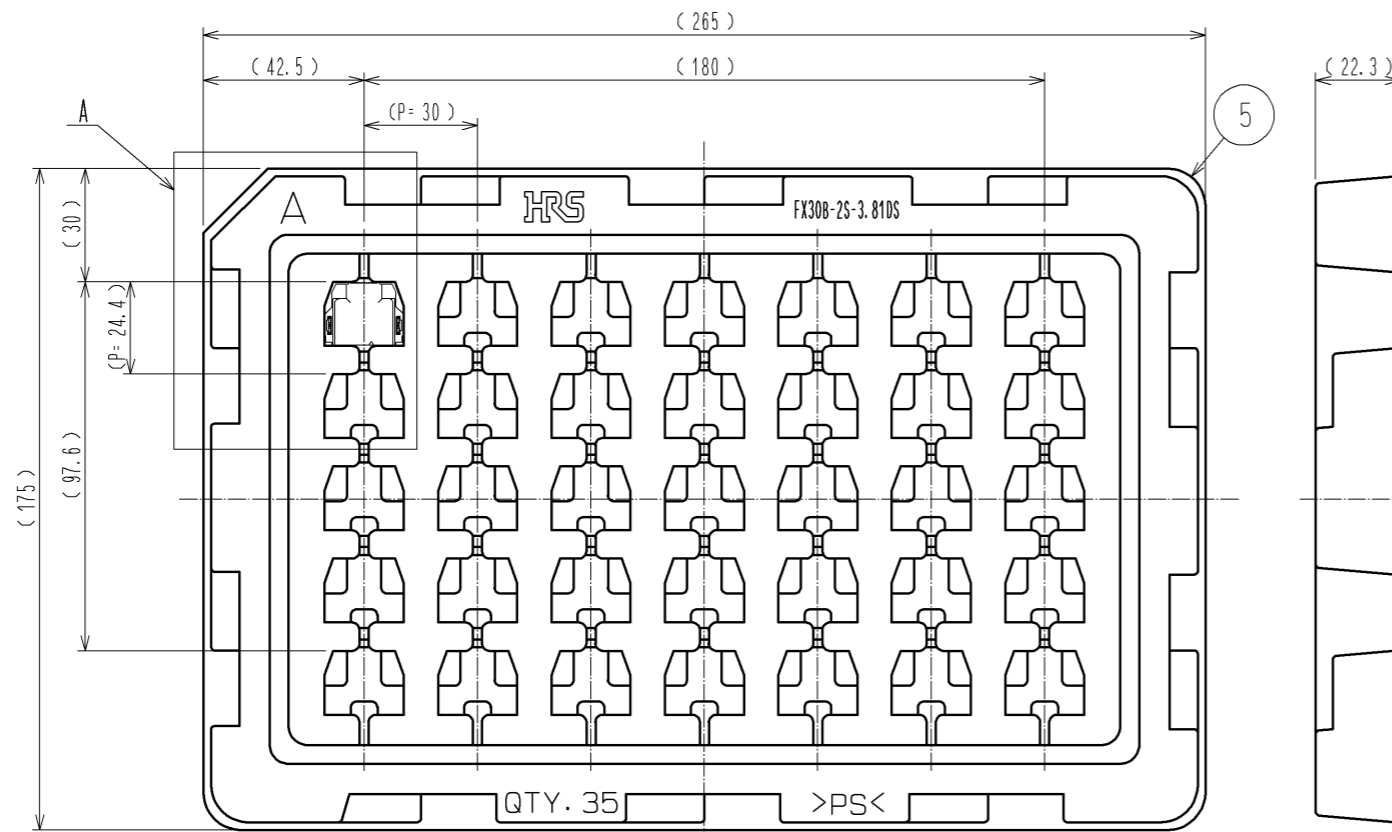
2	COPPER ALLOY	CONTACT AREA:GOLD-PLATING $0.1 \mu\text{m}$ LEAD AREA:TIN-PLATING $1.0 \mu\text{m}$ UNDER PLATING:NICKEL $1.0 \mu\text{m}$	4	PHOSPHOR BRONZE	TIN-PLATING $3.0 \mu\text{m}$ UNDER PLATING:NICKEL $1.0 \mu\text{m}$
1	POLYAMIDE	BLACK UL94V-0	3	COPPER ALLOY	CONTACT AREA:GOLD-PLATING $0.1 \mu\text{m}$ LEAD AREA:TIN-PLATING $1.0 \mu\text{m}$ UNDER PLATING:NICKEL $1.0 \mu\text{m}$
NO.	MATERIAL	FINISH . REMARKS	NO.	MATERIAL	FINISH . REMARKS

UNITS		SCALE	COUNT	DESCRIPTION OF REVISIONS	DESIGNED	CHECKED	DATE
mm		2 : 1	Δ				
APPROVED : HS. OKAWA				13.03.07	DRAWING NO. EDC3-347276-00		
CHECED : KI. HIROKAWA				13.03.07	PART NO. FX30B-2S-3.81DS		
DESIGNED : DK. AIMOTO				13.03.07	CODE NO. CL570-3600-6-00		
DRAWN : DK. AIMOTO				13.03.07			

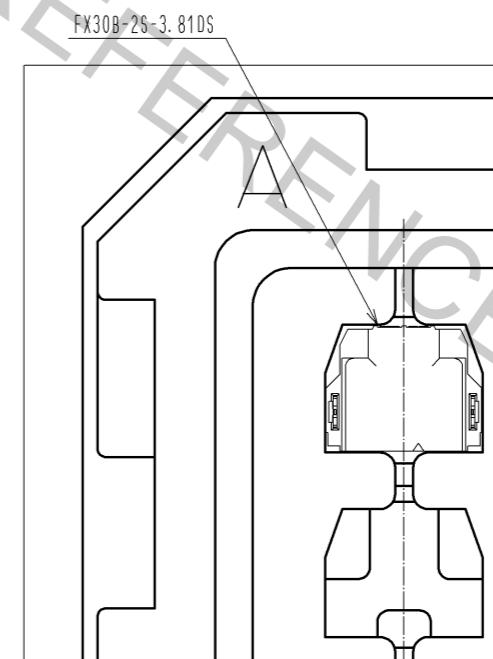
RECOMMENDED HOLE PATTERN DIMENSION OF PCB(5:1)
(CONNECTOR MOUNTING SIDE, PCB THICKNESS:t=1.6mm)



1 DRAWING FOR PACKAGING(1:2)



A(1:1)



HRS	DRAWING NO.	EDC3-347276-00	
	PART NO.	FX30B-2S-3.81DS	
	CODE NO.	CL570-3600-6-00	