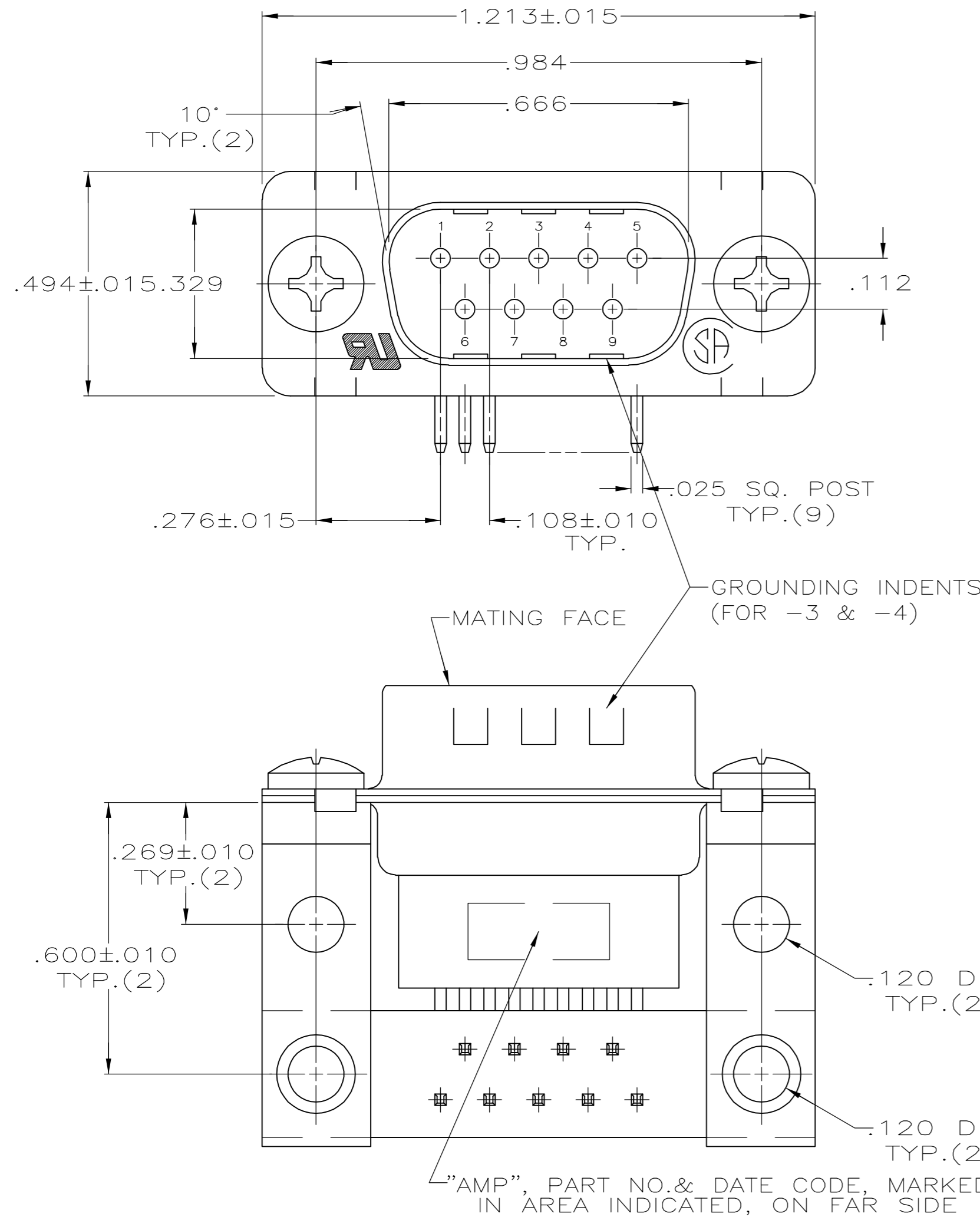
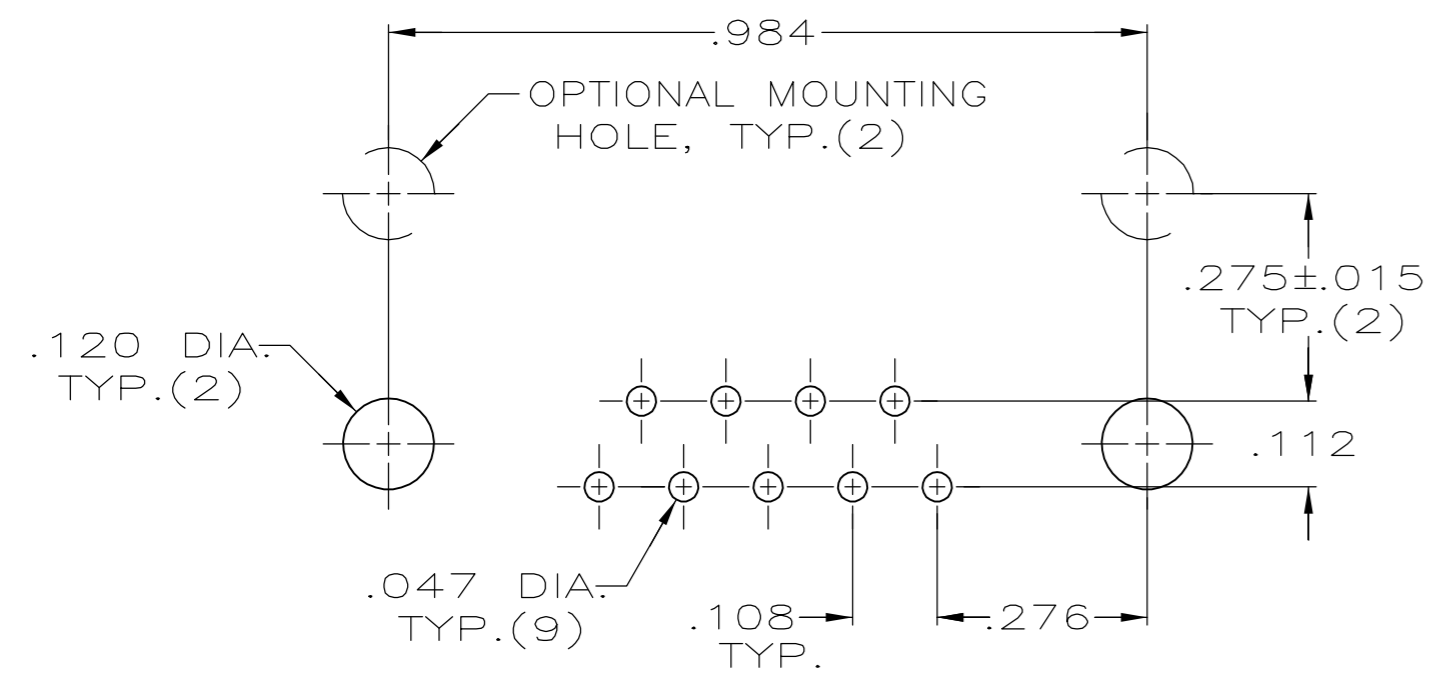
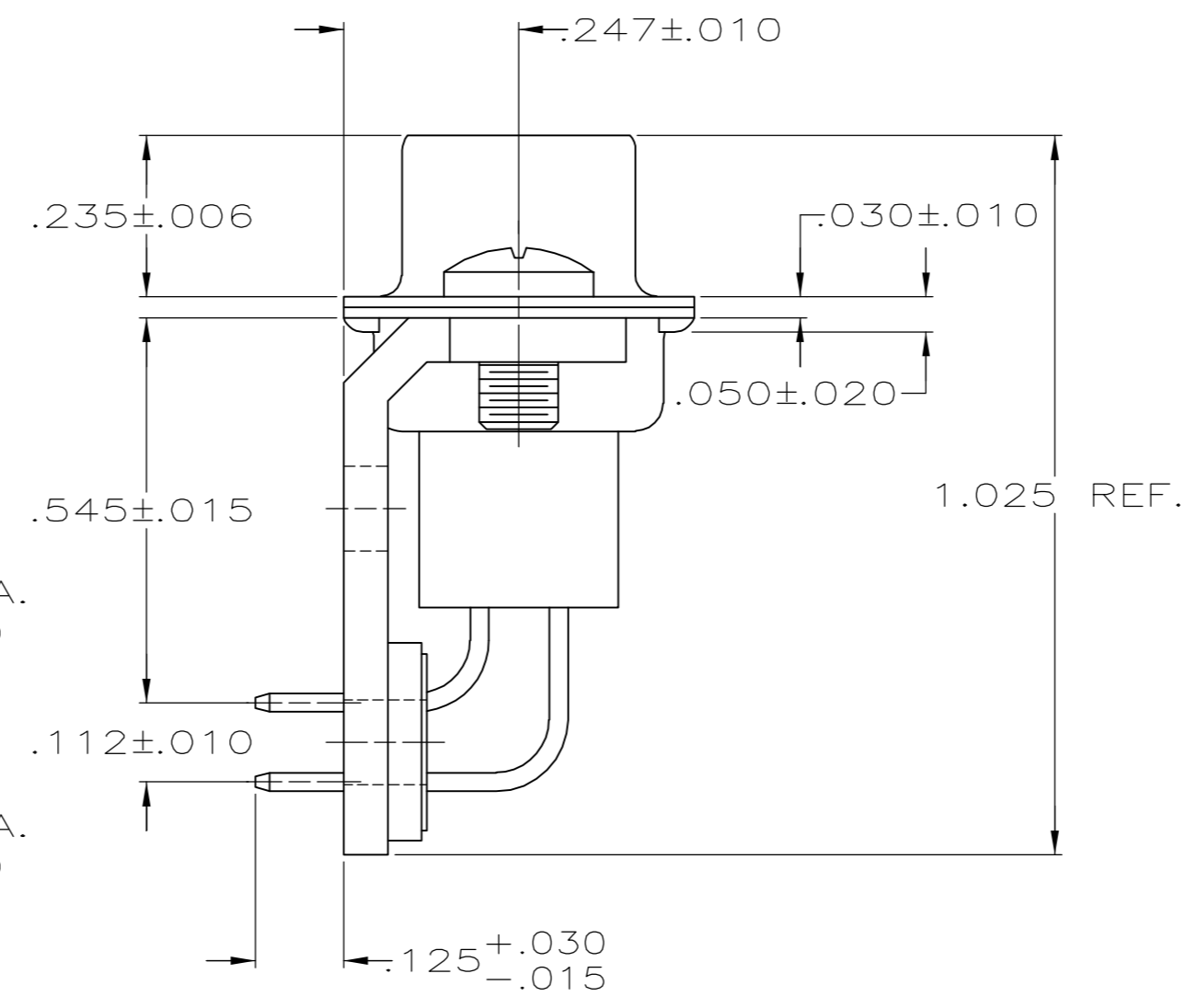


THIS DRAWING IS UNPUBLISHED. RELEASED FOR PUBLICATION
 © COPYRIGHT BY TYCO ELECTRONICS CORPORATION. ALL RIGHTS RESERVED.

LOC		DIST		REVISIONS			
P	LTR	DESCRIPTION	DATE	DWN	APVD		
GP	00	J	REVISED PER ECO-06-010458	07SEPT06	JP	SB	



- CONNECTOR MATES WITH ANY 9 POS. RECEPTACLE IN AMPLIMITE SERIES & COMPLIES WITH AMP SPEC. 108-40,005 WHERE APPLICABLE.
- FLAME RETARDANT 94V-0 RATED THERMOPLASTIC; COLOR: BLACK.
- STEEL PER ASTM A109.
- BRASS PER MIL-C-50.
- TIN PLATING PER MIL-T-10727, GOLD PLATING PER MIL-G-45204, NICKEL PLATING PER QQ-N-290.
- TIN PLATED.
- GOLD PLATED FOR LENGTH OF .150 MIN FROM MATING END, GOLD FLASH IN MATED AREA, .000100 MIN TIN-LEAD ON OPPOSITE END, BOTH OVER .000050 MIN NICKEL.
- GOLD PLATED FOR LENGTH OF .150 MIN FROM MATING END, .000030 MIN GOLD IN MATED AREA, .000100 MIN TIN-LEAD ON OPPOSITE END, BOTH OVER .000050 MIN NICKEL.



P.C. BOARD MOUNTING DIMENSIONS

	8	745351-4
OBSOLETE	7	745351-3
OBSOLETE	8	745351-2
SUPSD BY 745351-2	7	745351-1
	CONTACT FINISH	PART NUMBER

THIS DRAWING IS A CONTROLLED DOCUMENT.

DIMENSIONS: INCHES	TOLERANCES UNLESS OTHERWISE SPECIFIED:	DWN J. GERACE 29 DEC 83	Tyco Electronics Corporation Harrisburg, PA 17105-3608
		CHK J. GERACE 29 DEC 83	
		APVD P. SWEIGARD 15 MAR 84	
		NAME	
		PRODUCT SPEC	PLUG ASSY, SIZE 1, 9 POS, RIGHT ANGLE, .545 SERIES, .025 SQ POSTS, AMPLIMITE HDP
		APPLICATION SPEC	SIZE CAGE CODE DRAWING NO RESTRICTED TO
MATERIAL MOLDED PARTS: SHELLS & BRACKETS: CONTACTS:	FINISH: SHELLS & BRACKETS: CONTACTS: SEE TABLE	WEIGHT: A2 00779 C=745351	SCALE: 4:1 SHEET 1 OF 1 REV J
CUSTOMER DRAWING			