

TOSHIBA CMOS Integrated Circuit Silicon Monolithic

TC78B002FNG

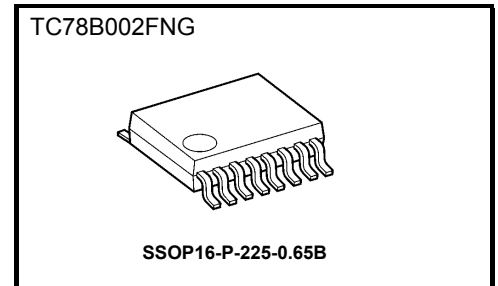
Single Phase Full-wave Driver for Fan Motor

TC78B002FNG is a single phase full-wave driver for fan motor. It has a DMOS device in an output transistor.

A highly effective drive is possible by adopting a DMOS output driver with low ON resistance and a PWM drive system.

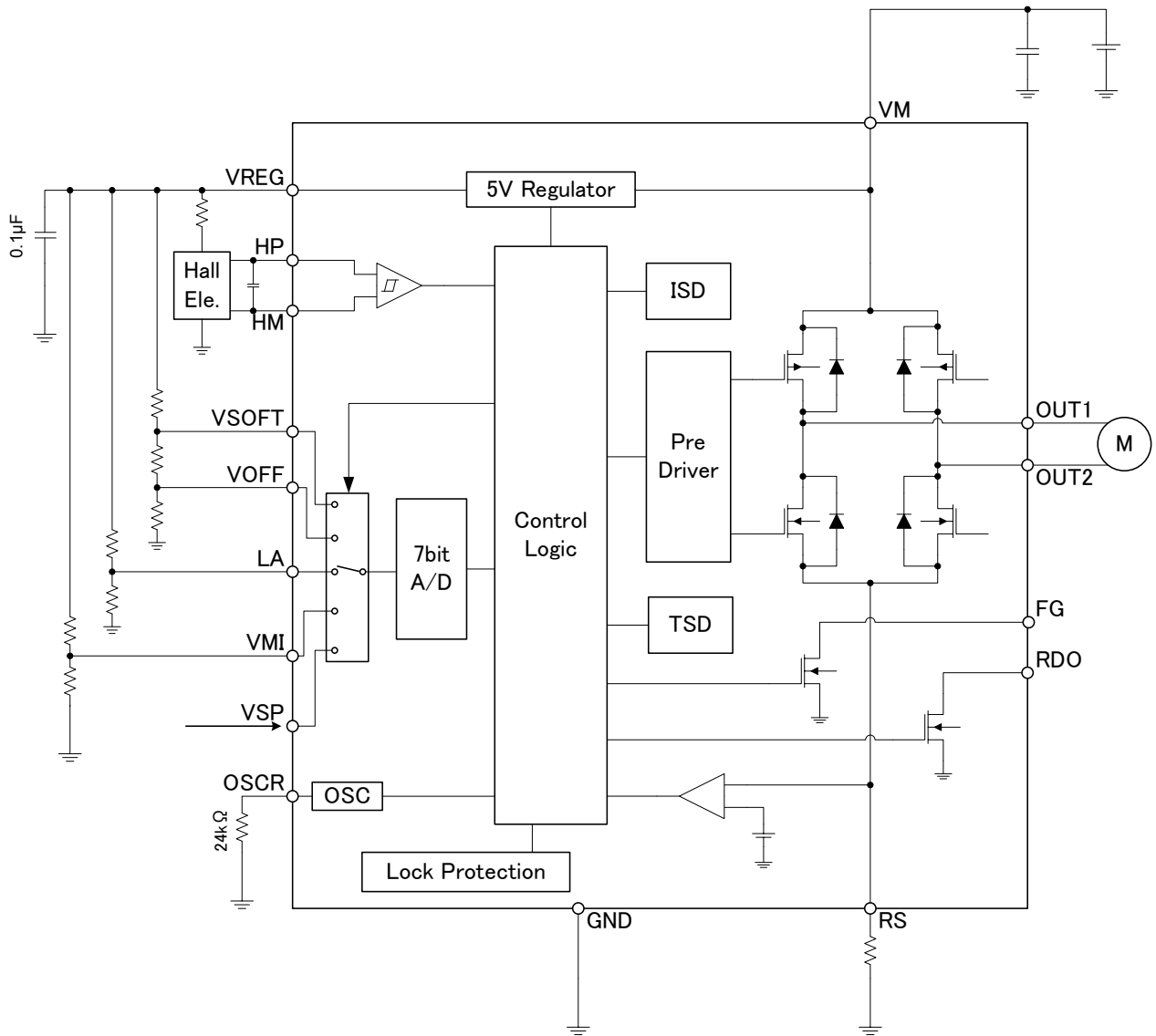
Features

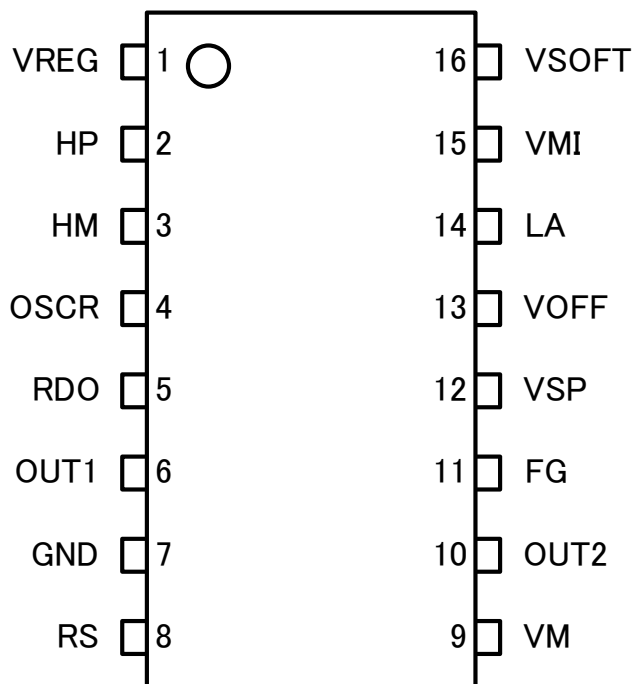
- Single-phase full-wave drive
- Motor power supply voltage: $V_M = 16V$ (maximum operating range)
- Output current: $I_{out} = 1.5A$ (max.)
- PWM control
- Built-in oscillation circuit (External resistor)
- Soft switching drive
- Lock protection, Automatic recovery
- Quick start
- Built in hall bias
- Rotation Speed Detection (FG) and Lock Detection (RDO) Output
- Current limit function
- Built in over current protection
- Built in thermal shut down circuit



Weight: 0.07g (typ)

Block Diagram (Application circuit)



Pin Assignment

Pin Description

| Pin No. | Pin name | Description |
|---------|----------|---|
| 1 | VREG | Output pin for reference voltage of 5 V |
| 2 | HP | Hall signal input pin + |
| 3 | HM | Hall signal input pin – |
| 4 | OSCR | Connection pin for resistor of oscillation circuit |
| 5 | RDO | Output pin for lock detection |
| 6 | OUT1 | Motor output pin 1 |
| 7 | GND | Connection pin for ground |
| 8 | RS | Connection pin for detecting resistor of output current |
| 9 | VM | Power supply pin |
| 10 | OUT2 | Motor output pin 2 |
| 11 | FG | Rotating output pin |
| 12 | VSP | Setting pin for output duty |
| 13 | VOFF | Setting pin for OFF term in switching conducting phase |
| 14 | LA | Setting pin for lead angle |
| 15 | VMI | Setting pin for minimum output duty |
| 16 | VSOFT | Setting pin for soft switching term |

Absolute Maximum Ratings (Ta = 25°C)

| Characteristics | Symbol | Rating | Unit |
|-----------------------|------------------|------------------|--------------|
| Power supply voltage | VM | 18 | V |
| Input voltage | V _{IN} | -0.3~6 (Note 1) | V |
| Output voltage | V _{OUT} | 18 (Note 2) | V |
| Output current | OUT1,OUT2 | I _{OUT} | 1.5 (Note 3) |
| | VREG | I _{OUT} | 10 |
| FG pin sink current | I _{FG} | 10 | mA |
| RDO pin sink current | I _{RDO} | 10 | mA |
| Power dissipation | P _D | 0.96 (Note 4) | W |
| Operating temperature | T _{opr} | -40 to 105 | °C |
| Storage temperature | T _{stg} | -55 to 150 | °C |

Note: The absolute maximum ratings of a semiconductor device are a set of ratings that must not be exceeded, even for a moment. Do not exceed any of these ratings. Exceeding the rating (s) may cause the device breakdown, damage or deterioration, and may result injury by explosion or combustion. Please use the IC within the specified operating ranges.

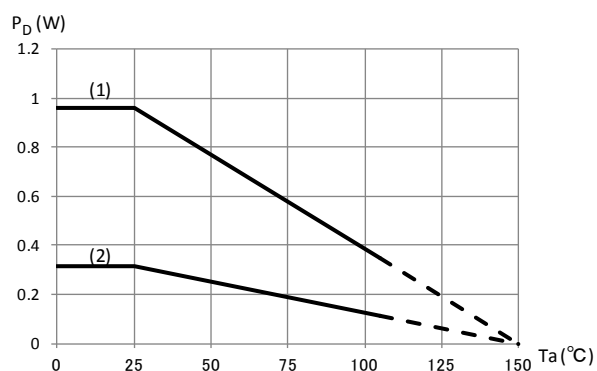
Note 1: VMI, VSP, VSOF, VOFF, and LA pins

Note 2: OUT1, OUT2, FG and RDO pins

Note 3: Power dissipation must not be exceed

Note 4: Mounted on a glass epoxy board

Package Power Dissipation



(1) When mounted on the board (40mm×30mm×1.6mm 2 layers, FR-4 board) Rth(j-a)=130°C/W

(2) IC only Rth(j-a)=400°C/W

Operating Ranges (Ta = 25°C)

| Characteristics | Symbol | Min | Typ. | Max | Unit |
|---|--------------------|-----|------|------------------|------|
| Power supply voltage | VM _{opr1} | 5.5 | 12 | 16 | V |
| Power supply for low voltage operation | VM _{opr2} | 3.5 | 4.5 | 5.5 | V |
| Internal oscillation frequency (Note 1) | f _{OSC} | 8 | 10 | 12 | MHz |
| PWM frequency | f _{PWM} | 20 | 25 | 30 | kHz |
| Input voltage (Note 2) | V _{IN} | 0 | — | V _{REG} | V |

Note 1: In low-voltage operation, operation with frequency more than 10MHz is not covered under guarantee.

Note 2: VMI, VSOF, VOFF, and LA pins

Electrical Characteristics (Ta = 25°C and VM = 12 V, unless otherwise specified.)

| Characteristics | | Symbol | Test conditions | Min | Typ. | Max | Unit |
|----------------------------------|---------------------------------|-----------------------|--|-----|---------------------------|--------------------------|------|
| Power supply current | | I _{VM} | VM = 12 V, V _{REG} = OPEN Hall input=100Hz, output OPEN | — | 3 | 5 | mA |
| Hall signal input | Common mode input voltage range | V _{CMRH} | | 0 | — | V _{REG} -1.5 | V |
| | Input voltage swing | V _H | | 40 | — | — | mV |
| | Input current | I _H | V _{HP} -V _{HM} ≥100mV | — | — | 1 | μA |
| | Hysteresis + Voltage | V _{HHS+} | (Design target value) (Note 1) | 5 | 10 | 15 | mV |
| | Hysteresis - Voltage | V _{HHS-} | (Design target value) (Note 1) | -15 | -10 | -5 | mV |
| VREG pin voltage | | V _{REG} | VREG pin output source current=10mA | 4.5 | 5.0 | 5.5 | V |
| Maximum voltage of ADC convertor | | V _{ADC} | (Design target value) (Note 1) | — | V _{REG} -0.75 | — | V |
| Output On Duty (Note 1) | Duty(20) | | R _{OSC} =24kΩ, output load:1kΩ V _{SP} =1.2V, VMI=0V or VMI=1.2V, V _{SP} =0V | 15 | 20 | 25 | % |
| | Duty(50) | | R _{OSC} =24kΩ, output load:1kΩ V _{SP} =2.2V, VMI=0V or VMI=2.2V, V _{SP} =0V | 43 | 50 | 57 | % |
| | Duty(80) | | R _{OSC} =24kΩ, output load:1kΩ V _{SP} =3.2V, VMI=0V or VMI=3.2V, V _{SP} =0V | 70 | 80 | 90 | % |
| VSP threshold | V _{AD} (L) | | Threshold voltage of stopping output | 0.5 | 0.55 | — | V |
| | V _{AD} (H) | | Threshold voltage of full output | — | 3.9 | 4.3 | |
| VSP response time | | T _{VSP} | (Design target value) (Note 1) | — | — | 10 | ms |
| Internal oscillation frequency | | f _{OSC} | R _{OSC} =24kΩ Measured by internal divided frequency | 8 | 10 | 12 | MHz |
| PWM frequency | | f _{PWM} | R _{OSC} =24kΩ | 20 | 25 | 30 | kHz |
| Pin input current | | I _{IN} | VSP,VMI,VSOFT,VOFF, and LA pins input voltage 0~V _{REG} | — | — | 1 | μA |
| Output ON resistance | | R _{on} (H+L) | I _{OUT} = 0.2A | — | 1.6 | 2.5 | Ω |
| Soft switching time (Note 1) | T _{SOFT} (0) | | R _{OSC} =24kΩ, Hall input=100Hz VOFF=0V, VSOFT=0V | — | — | 0 | ° |
| | T _{SOFT} (45) | | R _{OSC} =24kΩ, Hall input=100Hz VOFF=0V, VSOFT=V _{REG} *0.45 | 43 | — | 47 | |
| | T _{SOFT} (90) | | R _{OSC} =24kΩ, Hall input=100Hz VOFF=0V, VSOFT= V _{REG} | 84 | — | 90 | |
| OFF term (Note 1) | T _{OFF} (0) | | R _{OSC} =24kΩ, Hall input=100Hz VSOFT=0V, VOFF=0V | — | — | 0 | ° |
| | T _{OFF} (45) | | R _{OSC} =24kΩ, Hall input=100Hz VSOFT=0V, VOFF= V _{REG} *0.45 | 43 | — | 47 | |
| | T _{OFF} (90) | | R _{OSC} =24kΩ, Hall input=100Hz VSOFT=0V, VOFF= V _{REG} | 84 | — | 90 | |
| Lead angle correction (Note 1) | T _{LA} (0) | | R _{OSC} =24kΩ, Hall input=100Hz LA=0V | — | — | 0 | ° |
| | T _{LA} (11.25) | | R _{OSC} =24kΩ, Hall input=100Hz LA= V _{REG} *0.23 | 10 | — | 12 | |
| | T _{LA} (22.5) | | R _{OSC} =24kΩ, Hall input=100Hz LA= V _{REG} | 21 | — | 24 | |

| Characteristics | | Symbol | Test conditions | Min | Typ. | Max | Unit |
|---|------------------------|-----------------|--|------|------|------|-------------|
| FG RDO pin | Output low voltage | $V_{OUT(L)}$ | $I_{FG/RDO}=5mA$ | — | — | 0.3 | V |
| | Output leakage current | $I_{OUT(H)}$ | $V_{FG/RDO}=5V$ | — | — | 1 | μA |
| Current limit detecting voltage for RS pin | | V_{RS} | | 0.27 | 0.3 | 0.33 | V |
| Masking time of current limit detection | | T_{mask} | (Design target value) (Note 1) | 1.2 | 1.5 | 1.8 | μs |
| Operating current of over current protection | | I_{LIM} | (Design target value) (Note 1) | — | 2.5 | — | A |
| Masking time of over current protection | | $T_{ISDMASK}$ | (Design target value) (Note 1) | — | 2 | — | μs |
| OFF time of over current protection | | T_{ISDOFF} | (Design target value) (Note 1) | — | 100 | — | ms |
| Operating temperature of thermal shutdown circuit | | T_{SD} | Junction temperature (Design target value) (Note 1) | — | 170 | — | $^{\circ}C$ |
| Hysteresis of thermal shutdown circuit | | ΔT_{SD} | (Design target value) (Note 1) | — | 40 | — | $^{\circ}C$ |
| ON time of lock detection | | T_{ON} | $R_{OSC}=24k\Omega$ (Design target value) (Note 1) | 0.32 | 0.4 | 0.48 | s |
| OFF time of lock detection | | T_{OFF} | $R_{OSC}=24k\Omega$ (Design target value) (Note 1) | 3.2 | 4 | 4.8 | s |
| Detecting voltage for low voltage | | V_{UVLO} | Operation voltage (Design target value) (Note 1) | 2.6 | 2.9 | 3.2 | V |
| | | V_{PORRL} | Recovery voltage (Design target value) (Note 1) | 2.9 | 3.2 | 3.5 | V |
| Output switching characteristics | | t_r | (Design target value) (Note 1) | — | 100 | — | ns |
| | | t_f | (Design target value) (Note 1) | — | 100 | — | |

Note 1: Pre-shipment testing is not performed.

Reference Data

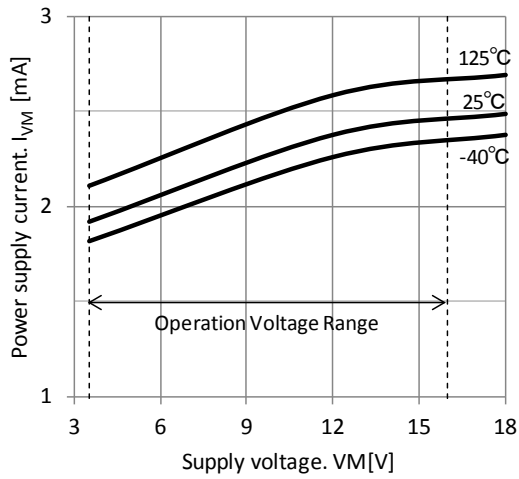


Fig.1 Power supply current

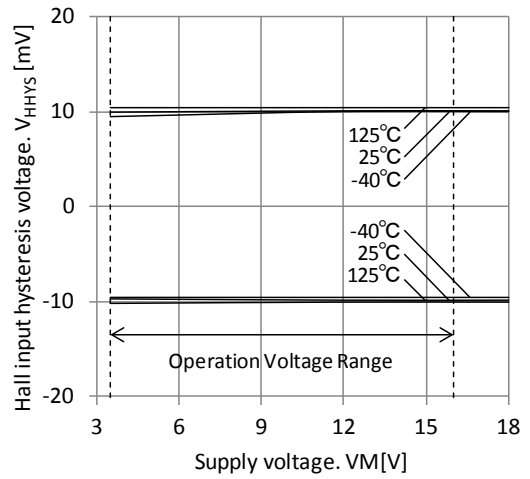


Fig.2 Hall input Hysteresis voltage

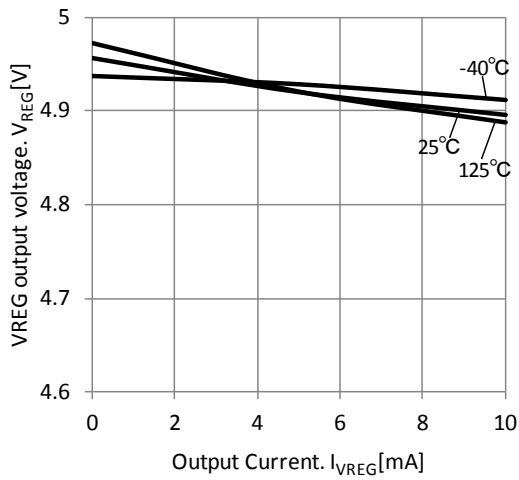


Fig.3 VREG pin voltage ($V_M=12V$)

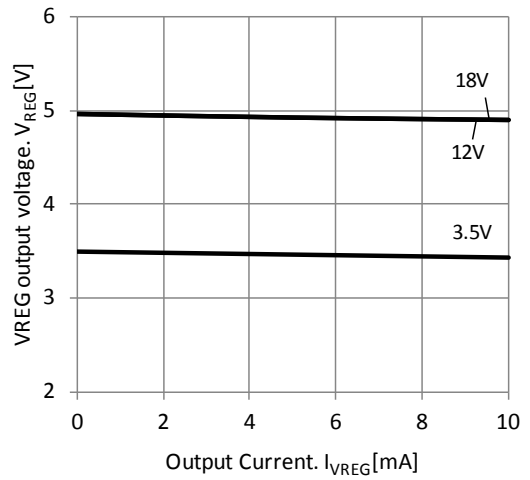


Fig.4 VREG pin voltage ($T_a=25^\circ C$)

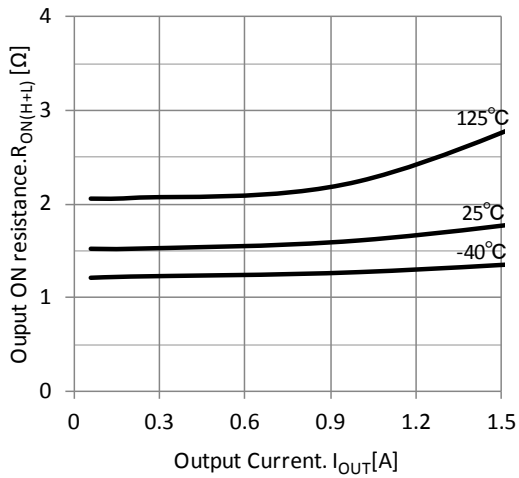


Fig.5 Output ON resistance ($V_M=12V$)

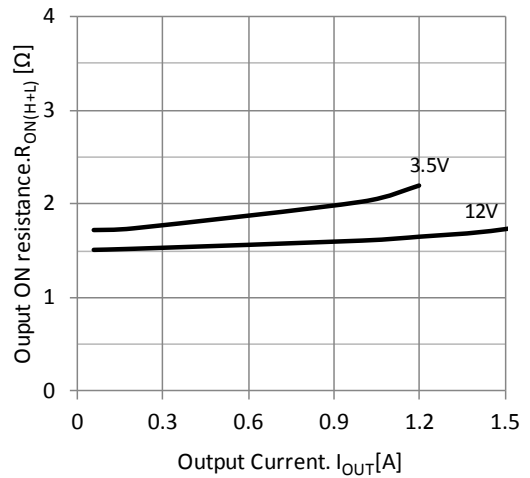


Fig.6 Output ON resistance ($T_a=25^\circ C$)

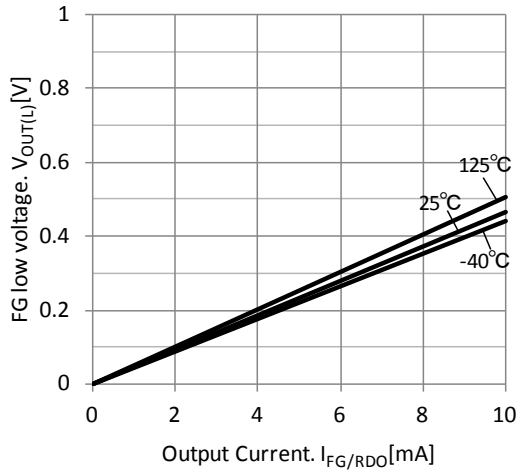


Fig.7 FG/RDO pin Output low voltage ($V_M=12V$)

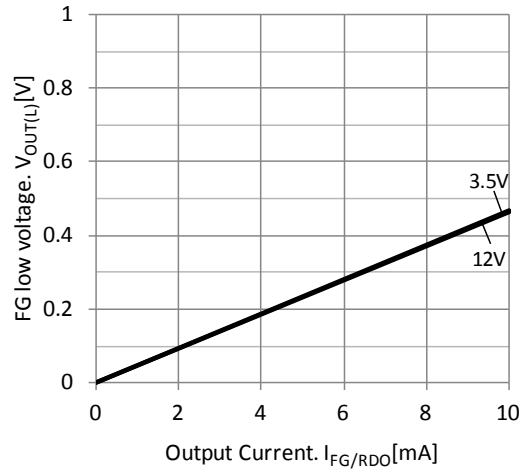


Fig.8 FG/RDO pin Output low voltage ($T_a=25^\circ C$)

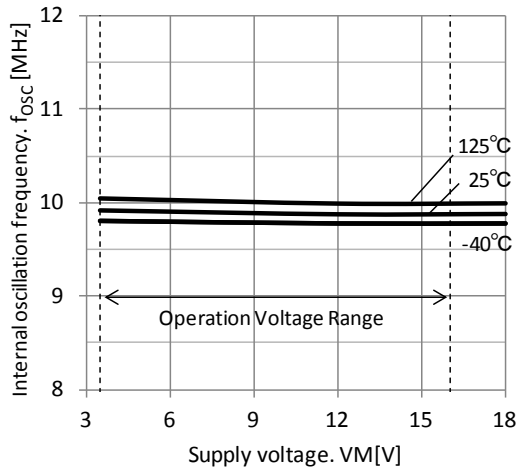


Fig.9 Internal oscillation frequency

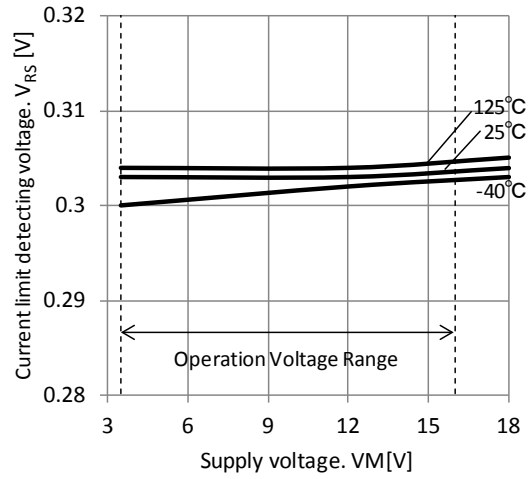
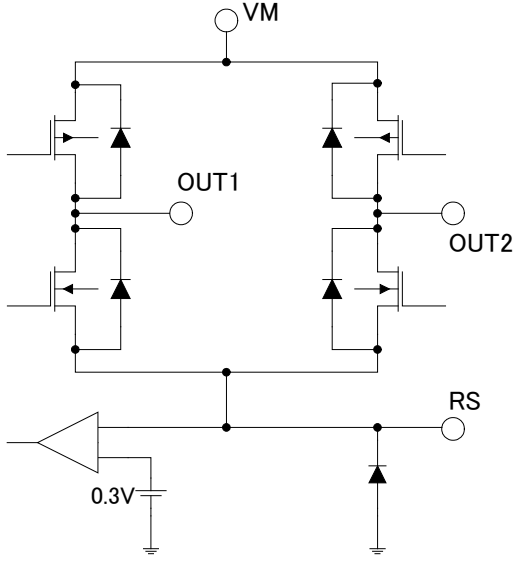
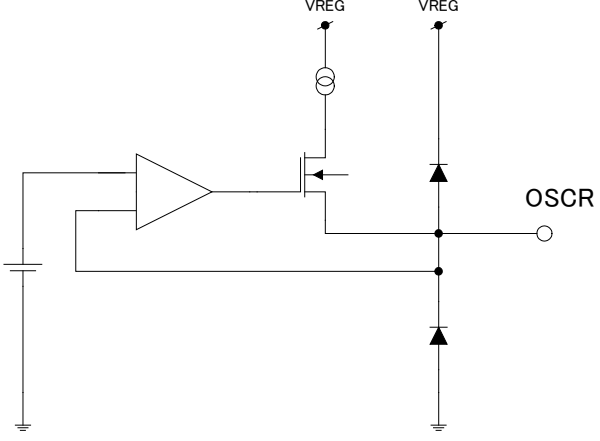


Fig.10 Current limit detecting voltage for RS pin

I/O Equivalent Circuits

| Pin name | I/O signal | Equivalent circuit |
|------------------|--|--------------------|
| HP HM | Hall signal input pin In-phase input voltage range 0V to $V_{REG}-1.5V$ | |
| VSP VMI LA | Control voltage input pin | |
| VSOFT VOFF | Control voltage input pin | |
| VREG | Voltage output pin $V_{REG} = 5V$ (typ) | |
| FG RDO | Digital output pin Open drain output It should be pulled up externally to output High. | |

| Pin name | I/O signal | Equivalent circuit |
|--------------------------|--|---|
| VM OUT1 OUT2 RS | Motor output pin |  |
| OSCR | Connection pin for resistor of oscillation circuit |  |

Functional Description

The equivalent circuit diagrams may be simplified or some parts of them may be omitted for explanatory purposes. Timing charts may be simplified for explanatory purposes.

1. Basic Operation

At startup, the motor is driven by a square-wave drive by determining the conducting phase with hall input signal.

When hall signal frequency reaches 5Hz (typ) or more, the motor is driven by the conducting pattern which is generated by estimating the next conducting timing from the hall input signal.

<I/O function table>

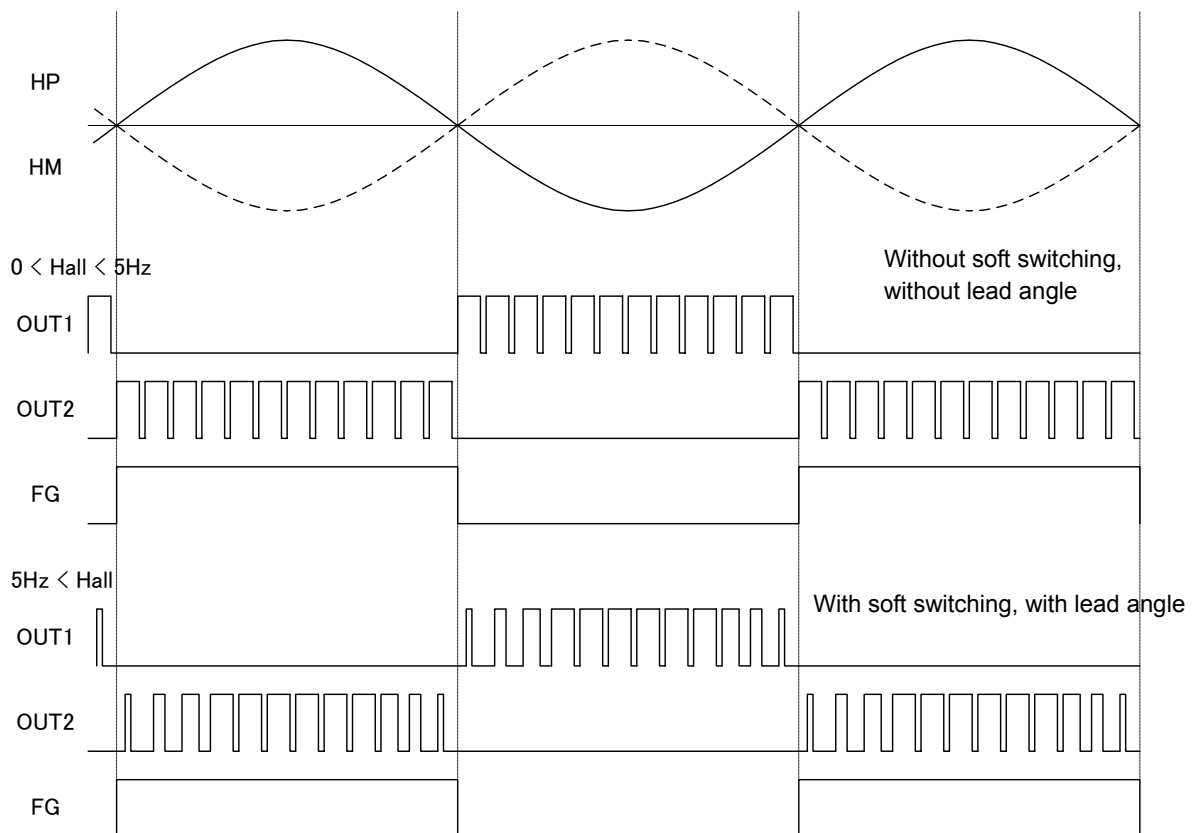
| HP | HM | OUT1 | OUT2 | FG | RDO | Mode |
|----|----|------|------|-----|-----|------------------------------|
| H | L | L | PWM | OFF | L | Rotating (Note 1) |
| L | H | PWM | L | L | L | |
| H | L | L | OFF | OFF | — | Current limit drive (Note 2) |
| L | H | OFF | L | L | — | |
| — | — | OFF | OFF | — | OFF | Lock protection (Note 3) |
| — | — | OFF | OFF | — | — | Thermal shutdown |

Note 1 : Conducting phase is switched by the hall input signal. FG signal is outputted according to the phase-switching. Conducting timing may be preceded depending on the lead angle set.

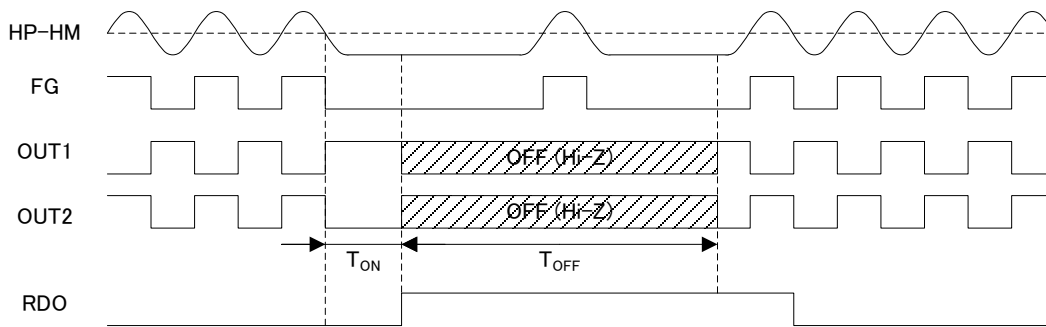
Note 2 : Upper power transistor is turned off during current limitation. It recovers automatically every PWM frequency.

Note 3 : FG output changes depending on the rotor position in the lock protection mode the same as rotating mode.

Timing chart (Normal rotation)



Timing chart (Lock protection)



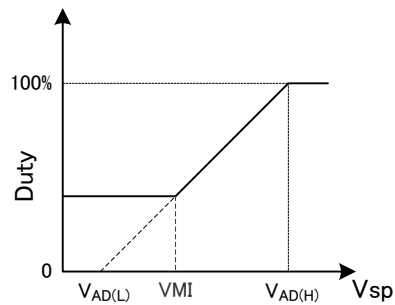
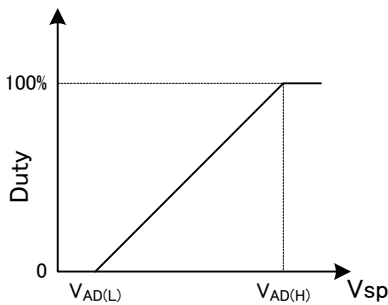
2. VSP/ VMI Input Pin

Output starts when VSP pin at the voltage of more than $V_{AD(L)}$. And it turns off at the voltage of $V_{AD(L)}$ or less. Minimum voltage of VSP pin is clipped by the voltage of VMI pin.

In case the minimum duty setting by VMI pin is not used, connect the VMI pin to the GND pin.

Analog voltage which is input to VSP pin and VMI pin is converted by AD convertor of 7 bit, and the output PWM duty is controlled.

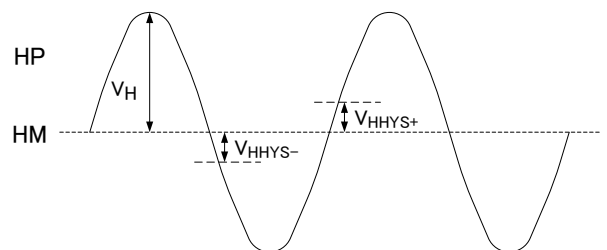
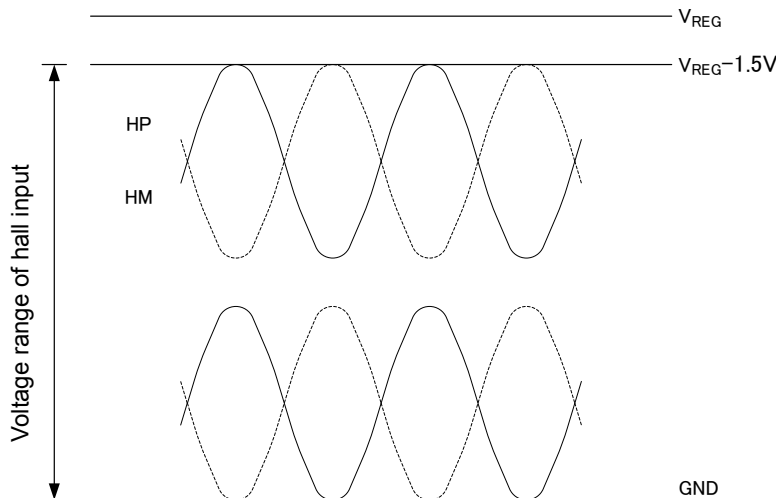
- $0 \leq VSP, VMI \leq V_{AD(L)} \rightarrow$ Duty = 0%
- $V_{AD(L)} < VSP, VMI \leq V_{AD(H)} \rightarrow$ Below figure (17/127 to 116/127)
- $V_{AD(H)} < VSP, VMI \leq V_{REG} \rightarrow$ Duty = 100% (117/127 to 127/127)



(PWM duty indicates the peak value of output because this circuit has a soft switching function.)

3. Hall Input Signal

Characteristics of hall signal shown below are inputted to the hall input pin.



V_H : 40mV or more
 $V_{HHYS+}=10mV, V_{HHYS-}=-10mV$

*Though hall amplifier operates when V_H is 40mV or more, please widen the oscillation as possible to stabilize the time width. (200mV or more is recommended.)

4. OSC Frequency and PWM Frequency

Oscillation frequency is approximated by below formula.

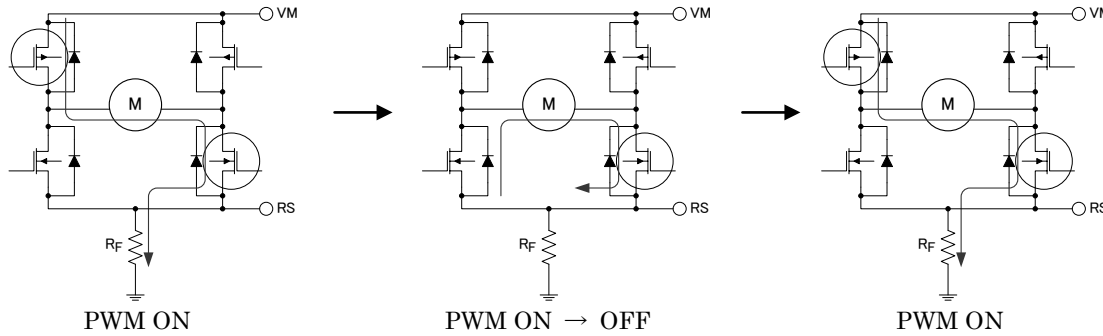
$$f_{osc} = 1/(2C[F] \times R_{osc}[\Omega]) [Hz] = 1/(2 \times 2.08e-12[F] \times R_{osc}[\Omega]) [Hz]$$

Oscillation frequency f_{osc} is 10MHz(typ) when external resistor R_{OSC} is 24k Ω

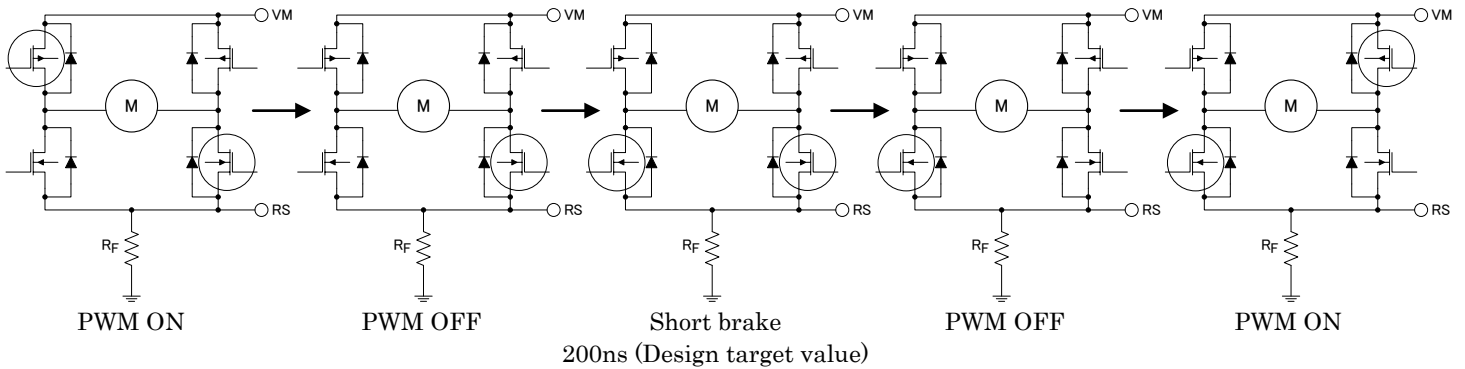
PWM frequency $f_{PWM} = f_{osc}/400$.

5. PWM Output Drive

In PWM drive, upper power transistor is turned on and off repeatedly.



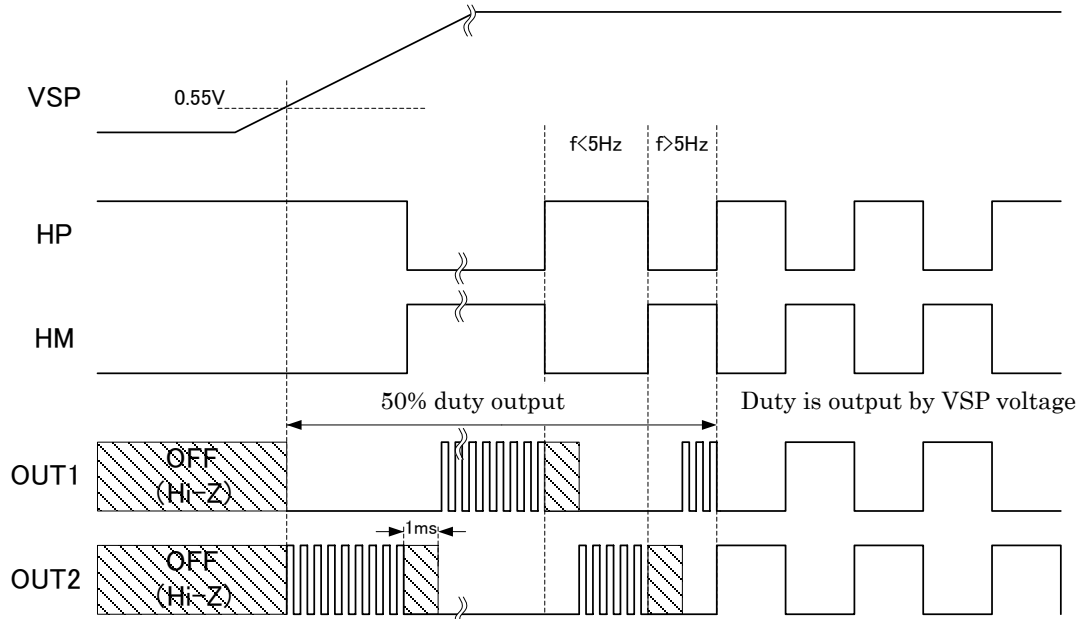
In switching phase, power transistor operates in below order.



6. Startup Sequence

Output starts when VSP pin at the voltage of $V_{AD(L)}$ or more. In order to ensure the starting torque, PWM output is 50% duty when the motor rotating speed is lower than 5Hz (typ).

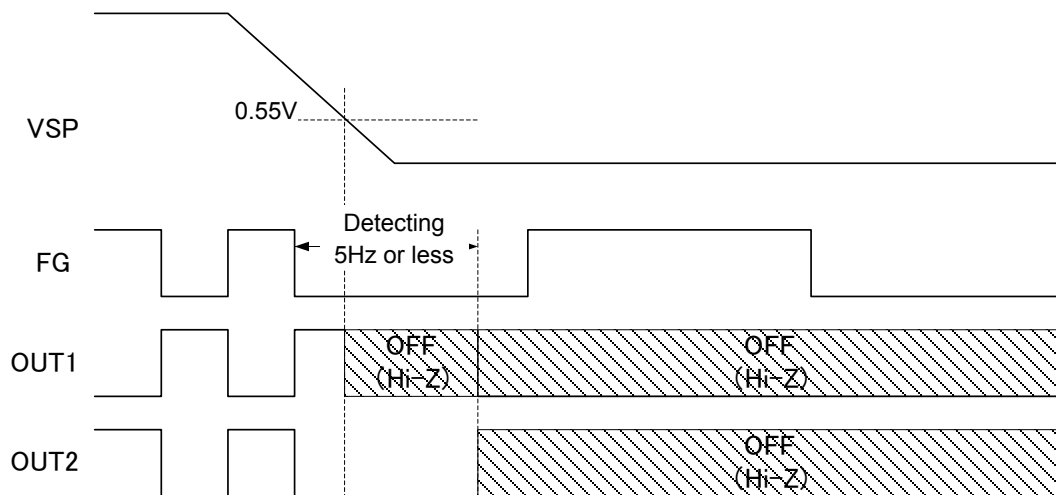
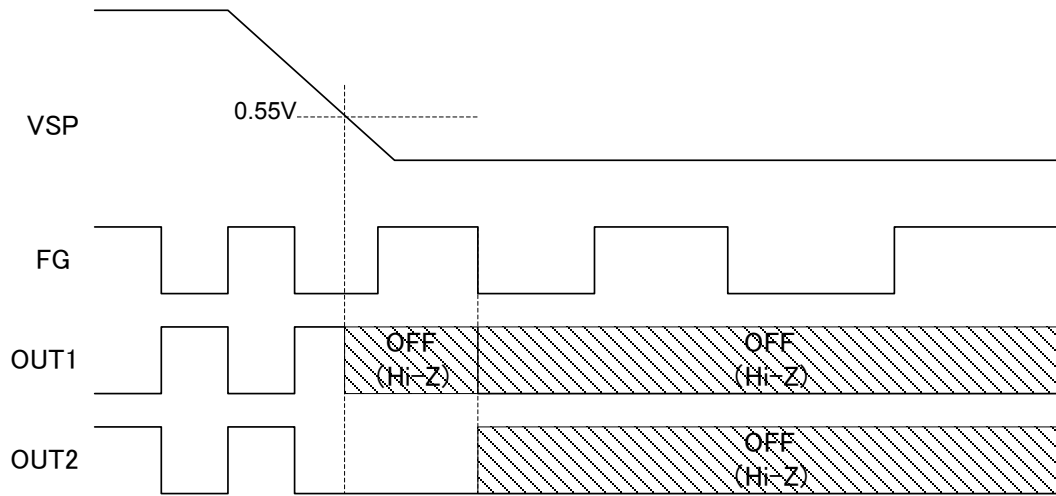
When output phase is switched during startup sequence, PWM OFF term of 1ms (typ) is inserted to reduce the regenerating current to the power supply.



7. Turning Off

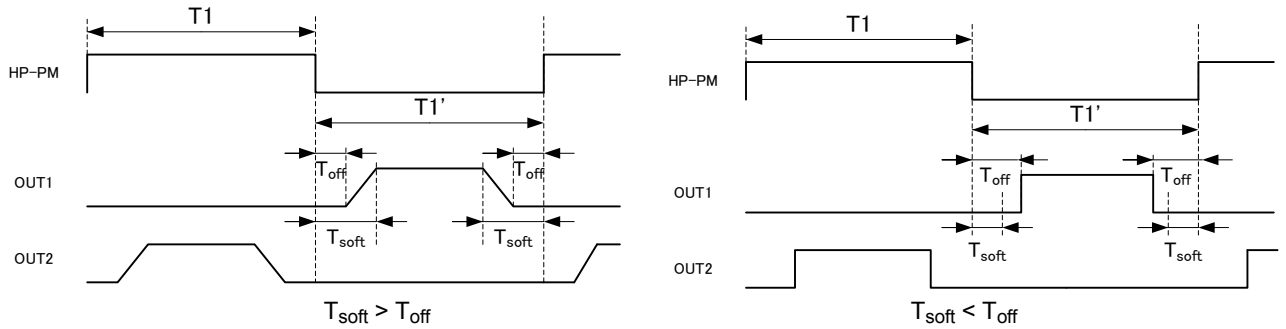
Output turns off when the voltage of VSP pin is $V_{AD(L)}$ or less.

Before all output power transistors are turned off, the time, until the edge of FG signal is detected twice or the frequency of 5 Hz or less is detected, is defined PWM OFF term.



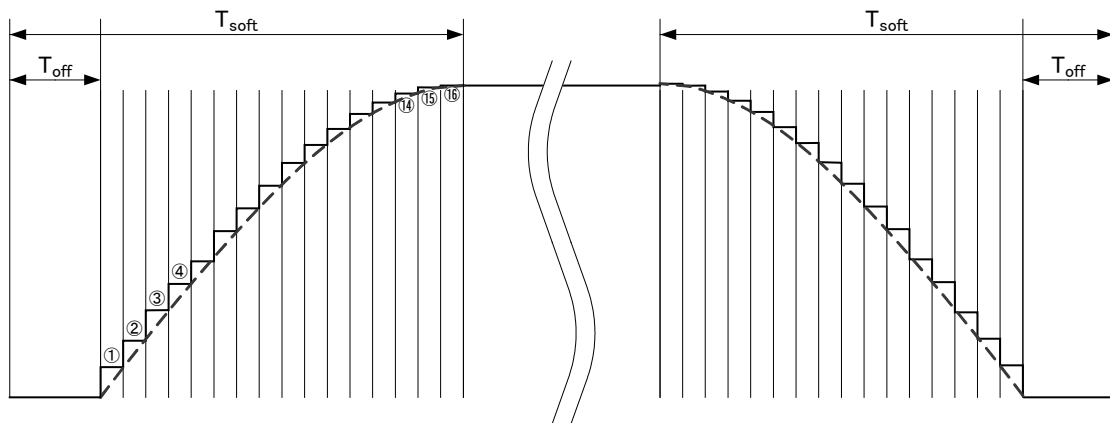
8. Soft Switching

Soft switching is performed by changing the output PWM duty gradually when conducting phase switches. The time of soft switching is determined by the voltage of VSOF T pin and that of VOFF pin.



Voltage of VSOF T > Voltage of VOFF:

Total term of soft switching (T_{soft}) is determined by the time of prior hall signal (180°) and the voltage of VSOF T pin. OFF term is provided during soft switching. The time of OFF term (T_{off}) is determined by the prior hall signal (180°) and the voltage of VOFF pin. During OFF term, the state of the power transistor is in the PWM OFF mode. Soft switching operates in the period other than the OFF term, and output PWM duty changes by 16 steps in maximum.



Voltage of VSOF T < Voltage of VOFF:

It does not have the term of soft switching operation which changes the duty, but it has the OFF term. OFF term (T_{off}) is determined by the time of the prior hall signal (180°) and the voltage of VOFF pin. During OFF term, the state of the power transistor is in the PWM OFF mode.

When next edge does not occur though time of $T1'$ passes, last output state continues.

Conducting pattern is reset in synchronization with the up edge and the down edge of the hall signal.

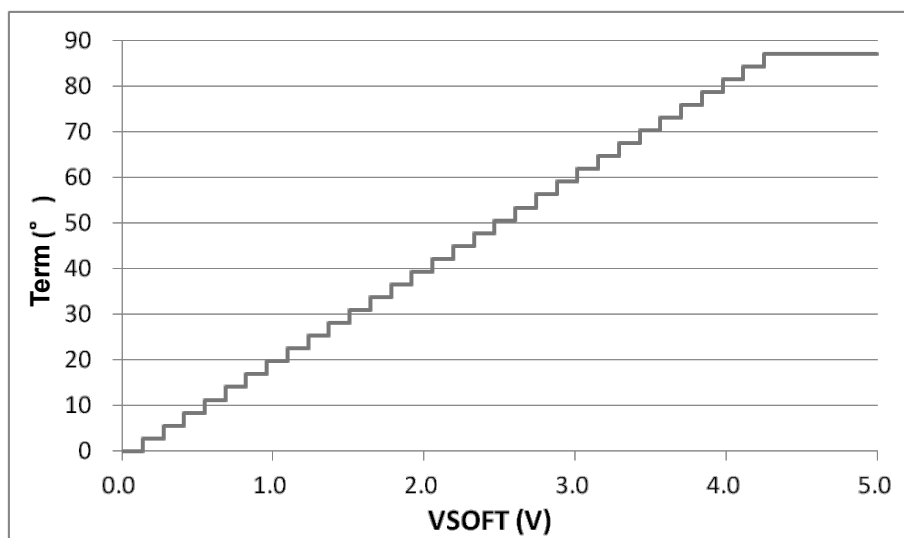
So, waveform indicates non-contiguous every reset when hall signal is offset and in speed up/slow down mode.

<Relation between the voltage of VSOF T pin and the term of soft switching>

VSOF T = 0V → 0°

VSOF T = VADC → 87.2° (In case voltage of VADC or more is input, it is set to 87.2°.)

| Step | VSOF T (V) | Term (°) | Step | VSOF T (V) | Term (°) | Step | VSOF T (V) | Term (°) |
|------|------------|----------|------|------------|----------|------|------------|----------|
| 1 | 0.00 | 0.0 | 12 | 1.51 | 30.9 | 23 | 3.02 | 61.9 |
| 2 | 0.14 | 2.8 | 13 | 1.65 | 33.8 | 24 | 3.15 | 64.7 |
| 3 | 0.27 | 5.6 | 14 | 1.78 | 36.6 | 25 | 3.29 | 67.5 |
| 4 | 0.41 | 8.4 | 15 | 1.92 | 39.4 | 26 | 3.43 | 70.3 |
| 5 | 0.55 | 11.3 | 16 | 2.06 | 42.2 | 27 | 3.56 | 73.1 |
| 6 | 0.69 | 14.1 | 17 | 2.19 | 45.0 | 28 | 3.70 | 75.9 |
| 7 | 0.82 | 16.9 | 18 | 2.33 | 47.8 | 29 | 3.84 | 78.8 |
| 8 | 0.96 | 19.7 | 19 | 2.47 | 50.6 | 30 | 3.98 | 81.6 |
| 9 | 1.10 | 22.5 | 20 | 2.60 | 53.4 | 31 | 4.11 | 84.4 |
| 10 | 1.23 | 25.3 | 21 | 2.74 | 56.3 | 32 | 4.25 | 87.2 |
| 11 | 1.37 | 28.1 | 22 | 2.88 | 59.1 | | | |

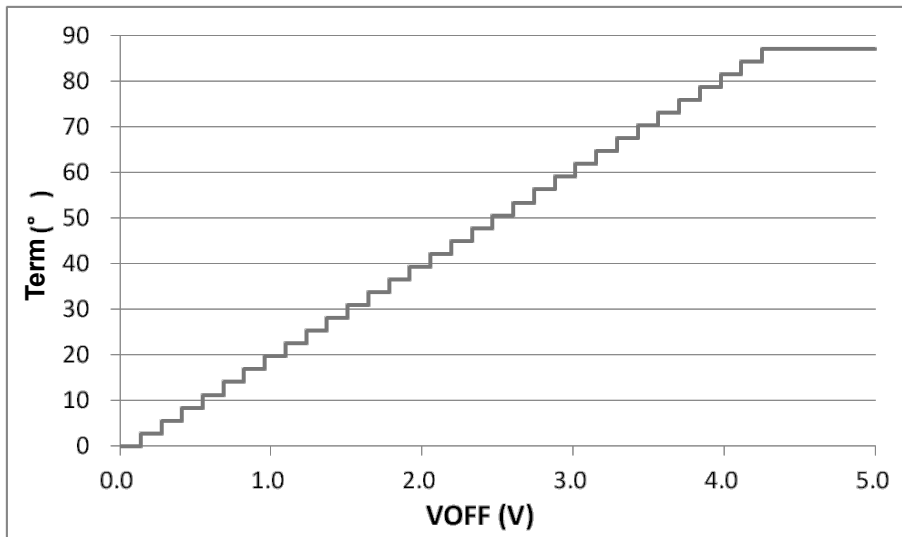


< Relation between the voltage of VOFF pin and the term of turning off >

VOFF = 0V → 0°

VOFF = VADC → 87.2° (In case voltage of VADC or more is input, it is set to 87.2°)

| Step | VOFF (V) | Term (°) | Step | VOFF (V) | Term (°) | Step | VOFF (V) | Term (°) |
|------|----------|----------|------|----------|----------|------|----------|----------|
| 1 | 0.00 | 0.0 | 12 | 1.51 | 30.9 | 23 | 3.02 | 61.9 |
| 2 | 0.14 | 2.8 | 13 | 1.65 | 33.8 | 24 | 3.15 | 64.7 |
| 3 | 0.27 | 5.6 | 14 | 1.78 | 36.6 | 25 | 3.29 | 67.5 |
| 4 | 0.41 | 8.4 | 15 | 1.92 | 39.4 | 26 | 3.43 | 70.3 |
| 5 | 0.55 | 11.3 | 16 | 2.06 | 42.2 | 27 | 3.56 | 73.1 |
| 6 | 0.69 | 14.1 | 17 | 2.19 | 45.0 | 28 | 3.70 | 75.9 |
| 7 | 0.82 | 16.9 | 18 | 2.33 | 47.8 | 29 | 3.84 | 78.8 |
| 8 | 0.96 | 19.7 | 19 | 2.47 | 50.6 | 30 | 3.98 | 81.6 |
| 9 | 1.10 | 22.5 | 20 | 2.60 | 53.4 | 31 | 4.11 | 84.4 |
| 10 | 1.23 | 25.3 | 21 | 2.74 | 56.3 | 32 | 4.25 | 87.2 |
| 11 | 1.37 | 28.1 | 22 | 2.88 | 59.1 | | | |



<PWM change during soft switching>

Soft switching after conducting phase switch:

It changes gradually from 4% to 100% of output PWM duty determined by the voltage of VSP pin. Its number of steps is 16 in maximum.

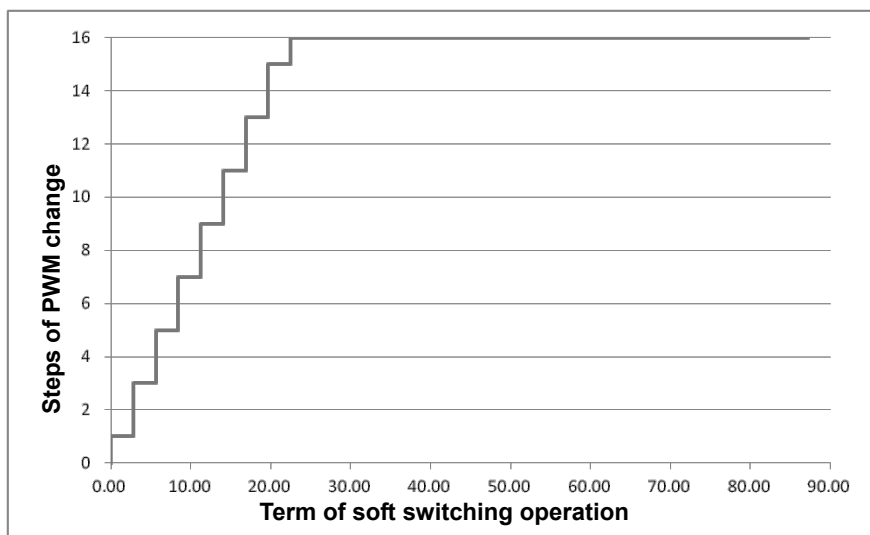
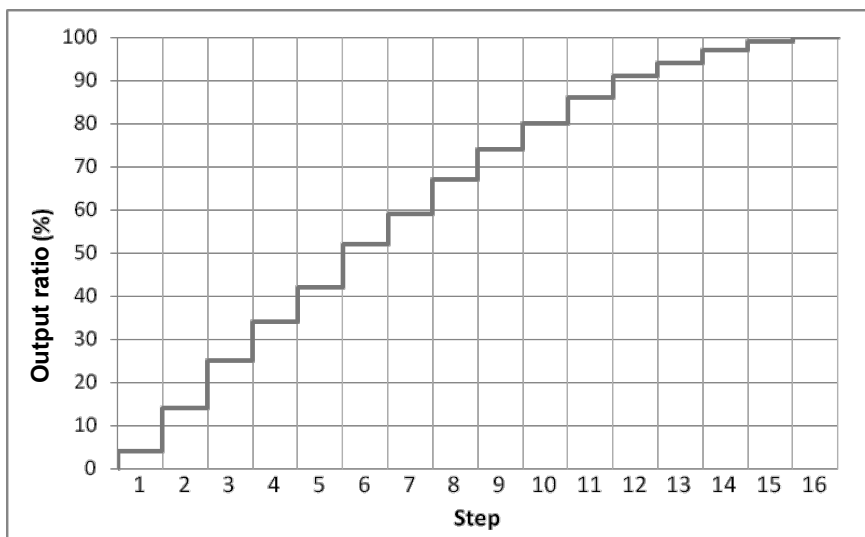
Soft switching before conducting phase switch:

It changes gradually from 100% to 4% of output PWM duty determined by the voltage of VSP pin. Its number of steps is 16 in maximum.

In case the term of soft switching operation is 22.5° or less, number of steps is less than 16 in the soft switching term.

The relation of steps of soft switching and the output PWM duty ratio is shown below.

| Step | Output ratio (%) | Step | Output ratio (%) | Step | Output ratio (%) |
|------|------------------|------|------------------|------|------------------|
| 1 | 4 | 7 | 59 | 13 | 94 |
| 2 | 14 | 8 | 67 | 14 | 97 |
| 3 | 25 | 9 | 74 | 15 | 99 |
| 4 | 34 | 10 | 80 | 16 | 100 |
| 5 | 42 | 11 | 86 | | |
| 6 | 52 | 12 | 91 | | |



9. Lead Angle

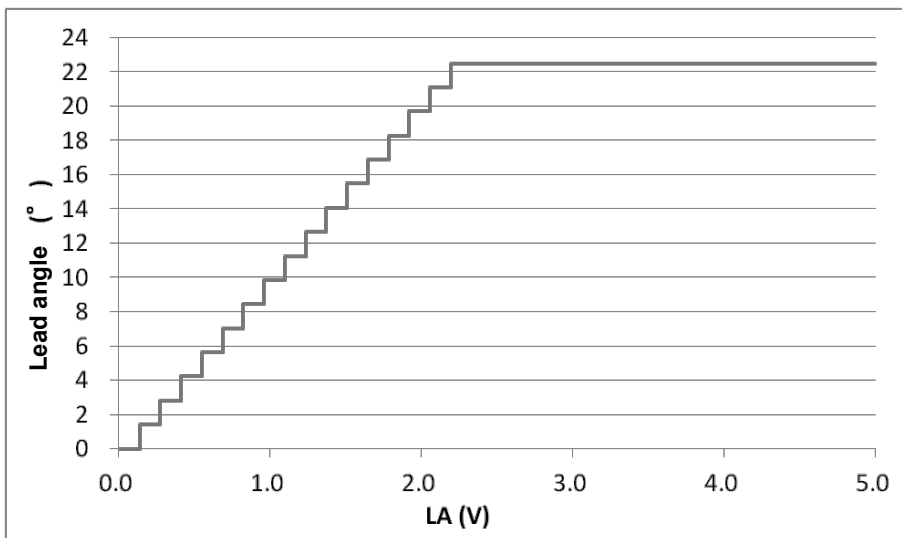
Lead angle of the conducting signal can be set in the range of 0 to 22.5° against the hall signal.

Lead angle is set by analog input of LA pin (The range of 0 to V_{ADC} is divided into 32 steps and lower 17 steps are used.)

LA = 0V → Lead angle 0°

LA = V_{ADC} → Lead angle 22.5° (In case of inputting the voltage of V_{ADC} or more.)

| Step | LA (V) | Lead angle (°) | Step | LA (V) | Lead angle (°) | Step | LA (V) | Lead angle (°) |
|------|--------|----------------|------|--------|----------------|------|--------|----------------|
| 0 | 0.00 | 0.0 | 6 | 0.82 | 8.4 | 12 | 1.65 | 16.9 |
| 1 | 0.14 | 1.4 | 7 | 0.96 | 9.8 | 13 | 1.78 | 18.3 |
| 2 | 0.27 | 2.8 | 8 | 1.10 | 11.3 | 14 | 1.92 | 19.7 |
| 3 | 0.41 | 4.2 | 9 | 1.23 | 12.7 | 15 | 2.06 | 21.1 |
| 4 | 0.55 | 5.6 | 10 | 1.37 | 14.1 | 16 | 2.19 | 22.5 |
| 5 | 0.69 | 7.0 | 11 | 1.51 | 15.5 | | | |

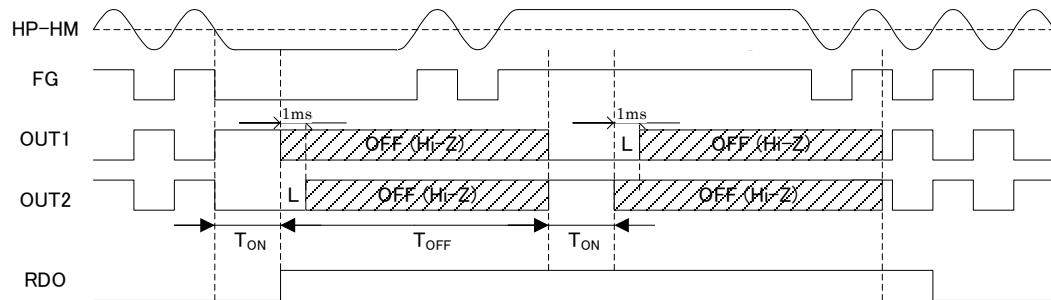


10. Lock protection

It monitors the motor rotation by the hall signal and operates when the zero cross of the hall signal can not be detected for certain time (T_{ON}) or more. When lock protection operates, the upper output transistor is turned off for 1ms(typ) and then all output power transistors are turned off. The motor drive resumes certain time (T_{OFF}) after the lock protection operates.

$T_{ON} = 0.4s$ (typ)

$T_{OFF} = 4s$ (typ)

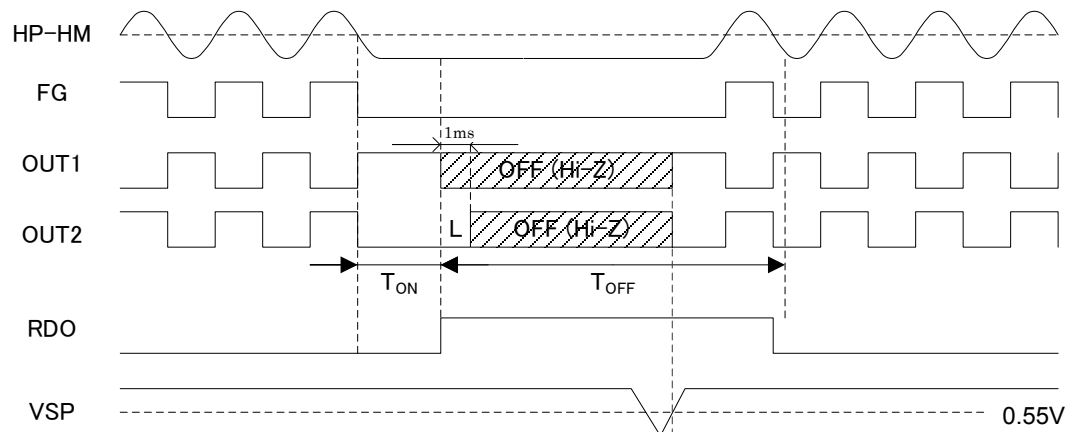


FG is outputted by the hall signal even while the lock protection is operating.

In case the zero cross of the hall signal is detected twice in re-startup, the lock protection is cleared and the RDO signal outputs low again.

11. Quick Start

During T_{OFF} of lock protection, lock protection is cleared when the voltage of VSP pin is set to $V_{AD(L)}$ or less. When $V_{AD(L)}$ or more is applied to the VSP pin again, the motor restarts operating quickly without waiting for the end of the T_{OFF} term.



Because the voltage of VSP pin is detected through A/D circuit, the voltage of VSP pin should be kept at $V_{AD(L)}$ or less for VSP response time (T_{VSP}) or more in order to clear the lock protection.

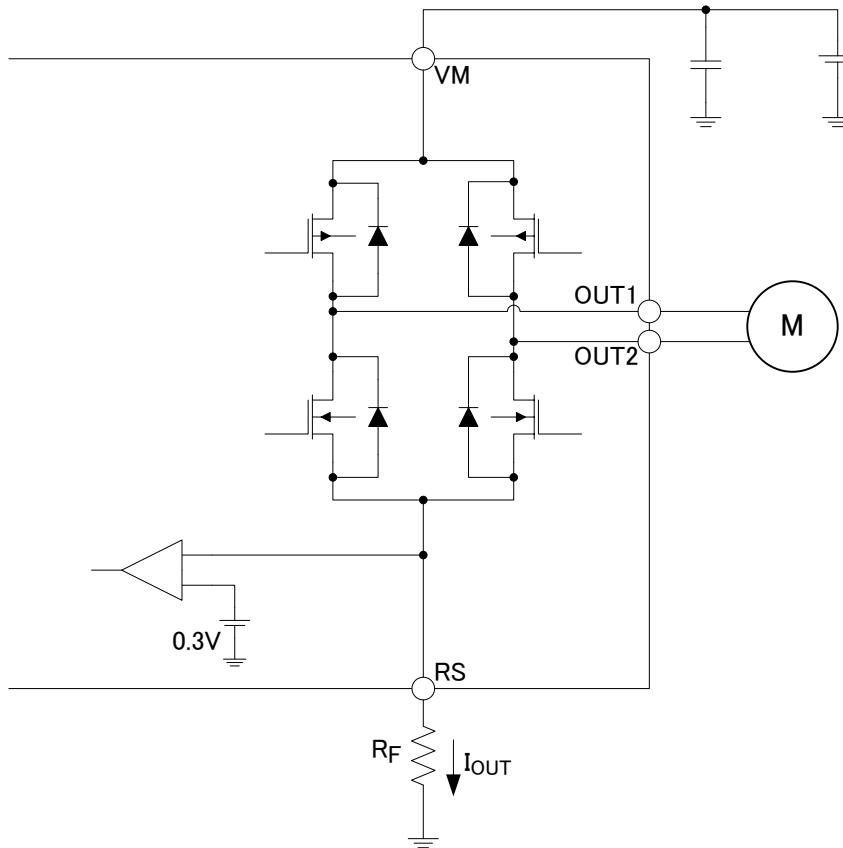
Quick start is disabled when the minimum of the duty is configured by applying the voltage of $V_{AD(L)}$ or more to VMI pin.

12. Current Limit

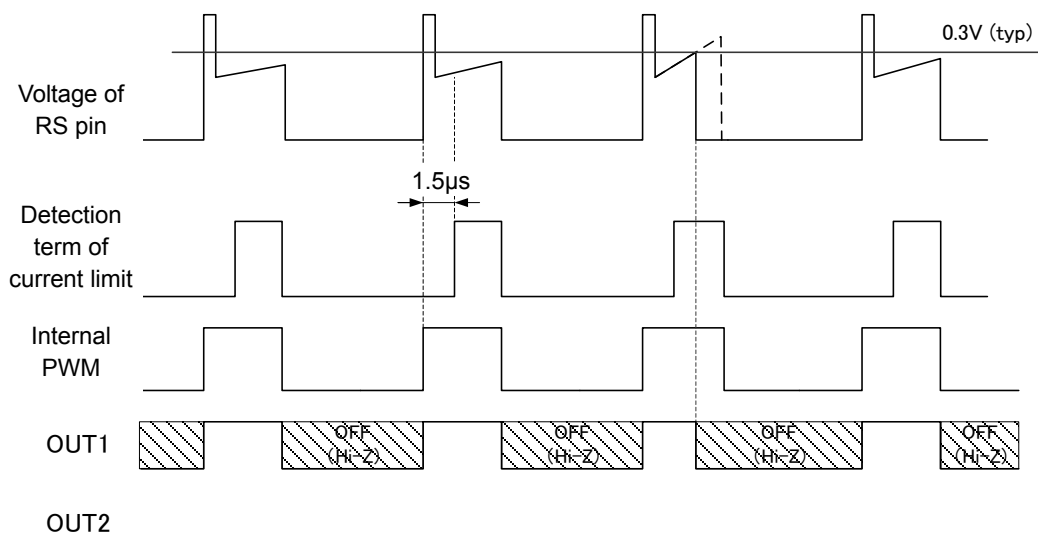
This function operates when the output voltage reaches the current limit detection voltage ($V_{RS} = 0.3\text{ V (typ)}$). It is detected by the resistor R_F .

$$\text{Current value which over current protection operates (I}_{OUT}) = \frac{\text{Over current detection voltage (V}_{RS})}{\text{Detection resistance (R}_F)}$$

When $R_F=0.51\Omega$, $I_{OUT}=0.3\text{ V (typ)}/0.51\Omega=588\text{mA}$



During the current limit operation, the operation mode is moved to PWM OFF state by turning off the upper output power transistor. The operation resumes at the next PWM ON timing. Masking time is configured to avoid malfunction by noise.



(In case HP = L and HM = H)

13. Over Current Protection (ISD)

Detection of current of the output power transistor is incorporated.

Each current flowing through four power transistors is detected individually. When the current exceeds the detection value, the related output power transistor is turned off. Then all output power transistors are turned off 1ms(typ) after this related output power transistor is turned off.

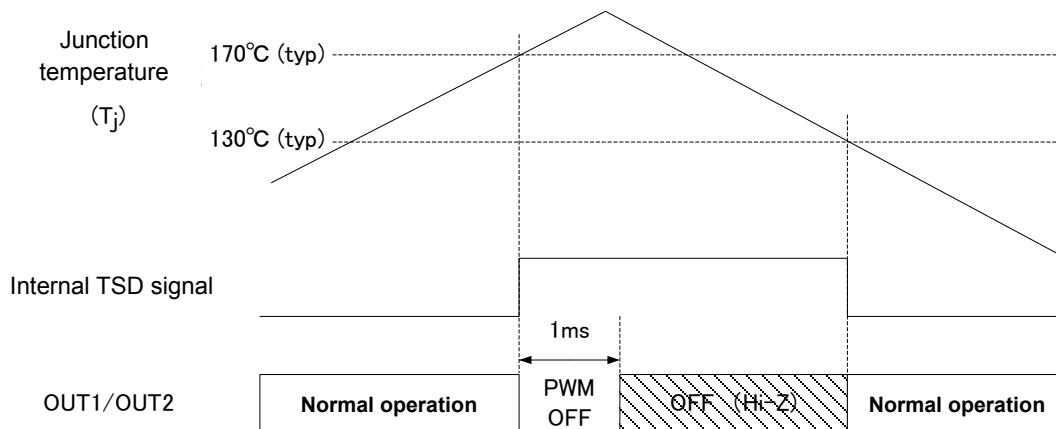
Timer is incorporated in this circuit. The motor operation resumes OFF time of 100ms (typ) after the over current is detected. When state of over current continues, over current protection operates repeatedly. In case this protection operates 8 times repeatedly, the motor operation does not resume automatically. The output power transistor keeps turned off. In order to clear this state, VSP or the power supply should be applied again.

Design target value of current limit for over current protection is 2.5A. Masking term of 2 μs (typ) is configured to avoid malfunction by noisy pulse current.

14. Thermal Shutdown Circuit (TSD)

Thermal shutdown circuit (TSD) operates when T_j rises to 170°C(typ) or more. All output power transistors are turned off after a 1ms(typ) PWM OFF term during which upper output power transistor is turned off.

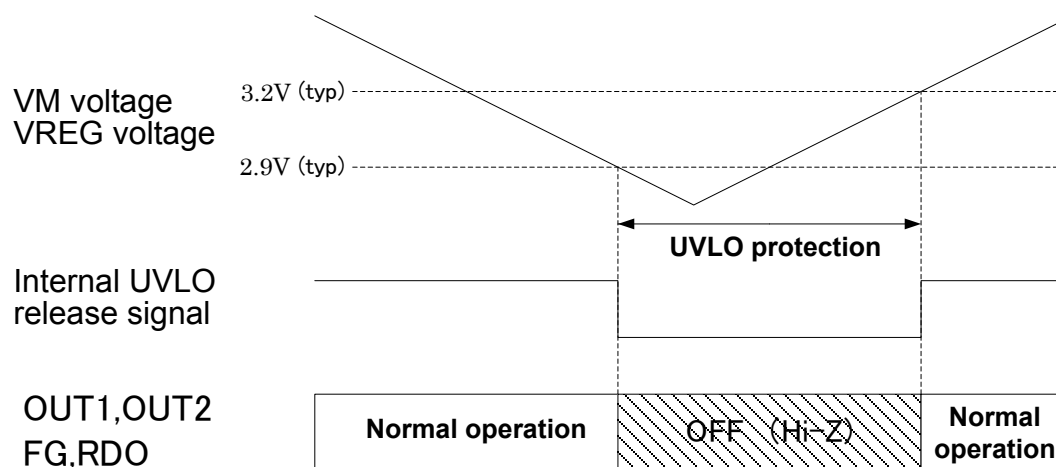
The operation resumes when the temperature falls to 130°C(typ) or less.



15. Under Voltage Lockout Protection (UVLO)

This IC has an under voltage lockout protection (UVLO).

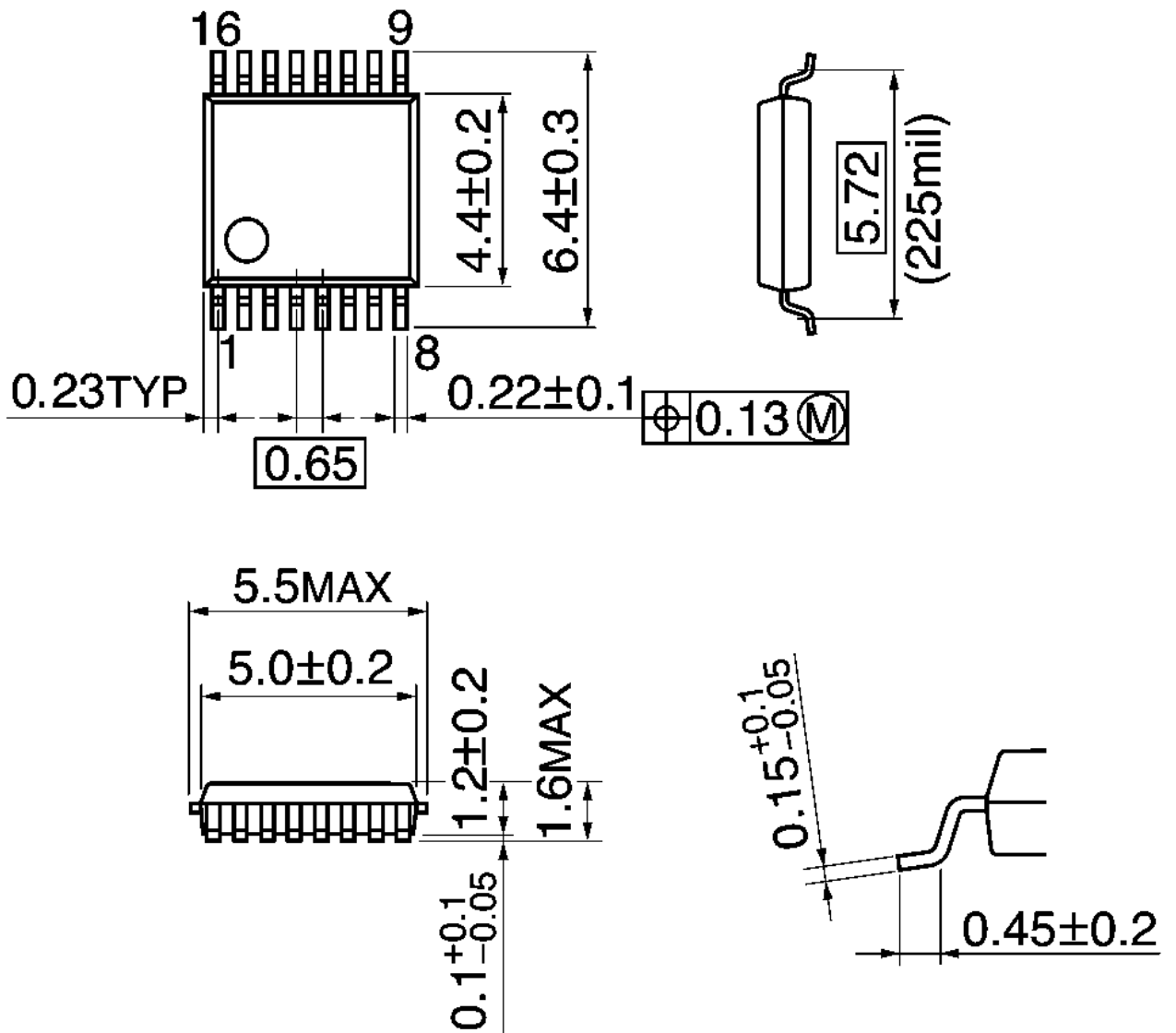
The power supply voltage of VM and the voltage of VREG are monitored. When each of them falls to 2.9 V (typ) or less, it is recognized as low voltage and the circuit is turned off. The normal operation resumes when both voltage recovers to 3.2V (typ) or more.



Package Dimensions

SSOP16-P-225-0.65B

Unit: mm



Notes on Contents

1. Block Diagrams

Some of the functional blocks, circuits, or constants in the block diagram may be omitted or simplified for explanatory purposes.

2. Equivalent Circuits

The equivalent circuit diagrams may be simplified or some parts of them may be omitted for explanatory purposes.

3. Timing Charts

Timing charts may be simplified for explanatory purposes.

4. Application Circuits

The application circuits shown in this document are provided for reference purposes only. Thorough evaluation is required, especially at the mass production design stage.

Toshiba does not grant any license to any industrial property rights by providing these examples of application circuits.

5. Test Circuits

Components in the test circuits are used only to obtain and confirm the device characteristics. These components and circuits are not guaranteed to prevent malfunction or failure from occurring in the application equipment.

IC Usage Considerations

Notes on handling of ICs

- [1] The absolute maximum ratings of a semiconductor device are a set of ratings that must not be exceeded, even for a moment. Do not exceed any of these ratings.
Exceeding the rating(s) may cause the device breakdown, damage or deterioration, and may result injury by explosion or combustion.
- [2] Use an appropriate power supply fuse to ensure that a large current does not continuously flow in case of over current and/or IC failure. The IC will fully break down when used under conditions that exceed its absolute maximum ratings, when the wiring is routed improperly or when an abnormal pulse noise occurs from the wiring or load, causing a large current to continuously flow and the breakdown can lead smoke or ignition. To minimize the effects of the flow of a large current in case of breakdown, appropriate settings, such as fuse capacity, fusing time and insertion circuit location, are required.
- [3] If your design includes an inductive load such as a motor coil, incorporate a protection circuit into the design to prevent device malfunction or breakdown caused by the current resulting from the inrush current at power ON or the negative current resulting from the back electromotive force at power OFF. IC breakdown may cause injury, smoke or ignition.
Use a stable power supply with ICs with built-in protection functions. If the power supply is unstable, the protection function may not operate, causing IC breakdown. IC breakdown may cause injury, smoke or ignition.
- [4] Do not insert devices in the wrong orientation or incorrectly.
Make sure that the positive and negative terminals of power supplies are connected properly.
Otherwise, the current or power consumption may exceed the absolute maximum rating, and exceeding the rating(s) may cause the device breakdown, damage or deterioration, and may result injury by explosion or combustion.
In addition, do not use any device that is applied the current with inserting in the wrong orientation or incorrectly even just one time.

Points to remember on handling of ICs**(1) Over current Protection Circuit**

Over current protection circuits (referred to as current limiter circuits) do not necessarily protect ICs under all circumstances. If the over current protection circuits operate against the over current, clear the over current status immediately.

Depending on the method of use and usage conditions, such as exceeding absolute maximum ratings can cause the over current protection circuit to not operate properly or IC breakdown before operation. In addition, depending on the method of use and usage conditions, if over current continues to flow for a long time after operation, the IC may generate heat resulting in breakdown.

(2) Thermal Shutdown Circuit

Thermal shutdown circuits do not necessarily protect ICs under all circumstances. If the thermal shutdown circuits operate against the over temperature, clear the heat generation status immediately.

Depending on the method of use and usage conditions, such as exceeding absolute maximum ratings can cause the thermal shutdown circuit to not operate properly or IC breakdown before operation.

(3) Heat Radiation Design

In using an IC with large current flow such as power amp, regulator or driver, please design the device so that heat is appropriately radiated, not to exceed the specified junction temperature (T_j) at any time and condition. These ICs generate heat even during normal use. An inadequate IC heat radiation design can lead to decrease in IC life, deterioration of IC characteristics or IC breakdown. In addition, please design the device taking into consideration the effect of IC heat radiation with peripheral components.

(4) Back-EMF

When a motor rotates in the reverse direction, stops or slows down abruptly, a current flow back to the motor's power supply due to the effect of back-EMF. If the current sink capability of the power supply is small, the device's motor power supply and output pins might be exposed to conditions beyond absolute maximum ratings. To avoid this problem, take the effect of back-EMF into consideration in system design.

RESTRICTIONS ON PRODUCT USE

- Toshiba Corporation, and its subsidiaries and affiliates (collectively "TOSHIBA"), reserve the right to make changes to the information in this document, and related hardware, software and systems (collectively "Product") without notice.
- This document and any information herein may not be reproduced without prior written permission from TOSHIBA. Even with TOSHIBA's written permission, reproduction is permissible only if reproduction is without alteration/omission.
- Though TOSHIBA works continually to improve Product's quality and reliability, Product can malfunction or fail. Customers are responsible for complying with safety standards and for providing adequate designs and safeguards for their hardware, software and systems which minimize risk and avoid situations in which a malfunction or failure of Product could cause loss of human life, bodily injury or damage to property, including data loss or corruption. Before customers use the Product, create designs including the Product, or incorporate the Product into their own applications, customers must also refer to and comply with (a) the latest versions of all relevant TOSHIBA information, including without limitation, this document, the specifications, the data sheets and application notes for Product and the precautions and conditions set forth in the "TOSHIBA Semiconductor Reliability Handbook" and (b) the instructions for the application with which the Product will be used with or for. Customers are solely responsible for all aspects of their own product design or applications, including but not limited to (a) determining the appropriateness of the use of this Product in such design or applications; (b) evaluating and determining the applicability of any information contained in this document, or in charts, diagrams, programs, algorithms, sample application circuits, or any other referenced documents; and (c) validating all operating parameters for such designs and applications. **TOSHIBA ASSUMES NO LIABILITY FOR CUSTOMERS' PRODUCT DESIGN OR APPLICATIONS.**
- **PRODUCT IS NEITHER INTENDED NOR WARRANTED FOR USE IN EQUIPMENTS OR SYSTEMS THAT REQUIRE EXTRAORDINARILY HIGH LEVELS OF QUALITY AND/OR RELIABILITY, AND/OR A MALFUNCTION OR FAILURE OF WHICH MAY CAUSE LOSS OF HUMAN LIFE, BODILY INJURY, SERIOUS PROPERTY DAMAGE AND/OR SERIOUS PUBLIC IMPACT ("UNINTENDED USE").** Except for specific applications as expressly stated in this document, Unintended Use includes, without limitation, equipment used in nuclear facilities, equipment used in the aerospace industry, medical equipment, equipment used for automobiles, trains, ships and other transportation, traffic signaling equipment, equipment used to control combustions or explosions, safety devices, elevators and escalators, devices related to electric power, and equipment used in finance-related fields. **IF YOU USE PRODUCT FOR UNINTENDED USE, TOSHIBA ASSUMES NO LIABILITY FOR PRODUCT.** For details, please contact your TOSHIBA sales representative.
- Do not disassemble, analyze, reverse-engineer, alter, modify, translate or copy Product, whether in whole or in part.
- Product shall not be used for or incorporated into any products or systems whose manufacture, use, or sale is prohibited under any applicable laws or regulations.
- The information contained herein is presented only as guidance for Product use. No responsibility is assumed by TOSHIBA for any infringement of patents or any other intellectual property rights of third parties that may result from the use of Product. No license to any intellectual property right is granted by this document, whether express or implied, by estoppel or otherwise.
- **ABSENT A WRITTEN SIGNED AGREEMENT, EXCEPT AS PROVIDED IN THE RELEVANT TERMS AND CONDITIONS OF SALE FOR PRODUCT, AND TO THE MAXIMUM EXTENT ALLOWABLE BY LAW, TOSHIBA (1) ASSUMES NO LIABILITY WHATSOEVER, INCLUDING WITHOUT LIMITATION, INDIRECT, CONSEQUENTIAL, SPECIAL, OR INCIDENTAL DAMAGES OR LOSS, INCLUDING WITHOUT LIMITATION, LOSS OF PROFITS, LOSS OF OPPORTUNITIES, BUSINESS INTERRUPTION AND LOSS OF DATA, AND (2) DISCLAIMS ANY AND ALL EXPRESS OR IMPLIED WARRANTIES AND CONDITIONS RELATED TO SALE, USE OF PRODUCT, OR INFORMATION, INCLUDING WARRANTIES OR CONDITIONS OF MERCHANTABILITY, FITNESS FOR A PARTICULAR PURPOSE, ACCURACY OF INFORMATION, OR NONINFRINGEMENT.**
- Do not use or otherwise make available Product or related software or technology for any military purposes, including without limitation, for the design, development, use, stockpiling or manufacturing of nuclear, chemical, or biological weapons or missile technology products (mass destruction weapons). Product and related software and technology may be controlled under the applicable export laws and regulations including, without limitation, the Japanese Foreign Exchange and Foreign Trade Law and the U.S. Export Administration Regulations. Export and re-export of Product or related software or technology are strictly prohibited except in compliance with all applicable export laws and regulations.
- Please contact your TOSHIBA sales representative for details as to environmental matters such as the RoHS compatibility of Product. Please use Product in compliance with all applicable laws and regulations that regulate the inclusion or use of controlled substances, including without limitation, the EU RoHS Directive. **TOSHIBA ASSUMES NO LIABILITY FOR DAMAGES OR LOSSES OCCURRING AS A RESULT OF NONCOMPLIANCE WITH APPLICABLE LAWS AND REGULATIONS.**