

Housing - HC-COM-K-KML-O1PG16 - 1408384

Please be informed that the data shown in this PDF Document is generated from our Online Catalog. Please find the complete data in the user's documentation. Our General Terms of Use for Downloads are valid (<http://download.phoenixcontact.com>)



Coupling housing with single locking engagement nose, for HC-COM-K-KV-PG16...screw connection

Key commercial data

Packing unit	0
Minimum order quantity	1
Catalog page	Page 589 (PC-2011)
GTIN	 4 046356 618120
Custom tariff number	85389099
Country of origin	CHINA

Technical data

General data

Ambient temperature (operation)	-40 °C ... 100 °C
Degree of protection	IP65/IP66
Design	COM

Material data

Seal material	NBR
Housing material	PC

Classifications

eclass

eCl@ss 4.0	27140816
eCl@ss 4.1	27140816
eCl@ss 5.0	27143424
eCl@ss 5.1	27143424
eCl@ss 6.0	27261203
eCl@ss 7.0	27440202

etim

ETIM 4.0	EC000437
----------	----------

Housing - HC-COM-K-KML-O1PG16 - 1408384

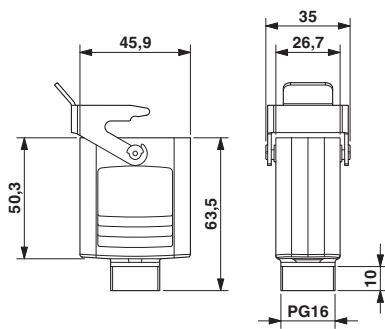
Classifications

unspsc

UNSPSC 6.01	31261502
UNSPSC 7.0901	31261502
UNSPSC 11	31261502
UNSPSC 12.01	31261502
UNSPSC 13.2	31261502

Drawings

Dimensioned drawing



Dimensional drawing

© Phoenix Contact 2012 - all rights reserved
<http://www.phoenixcontact.com>