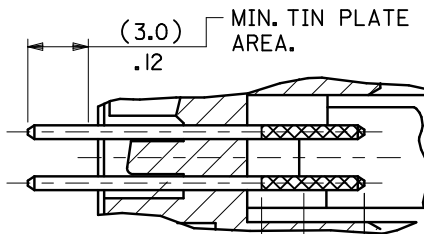


SEE NOTE 4

CCT No.1  
I.D. MARK

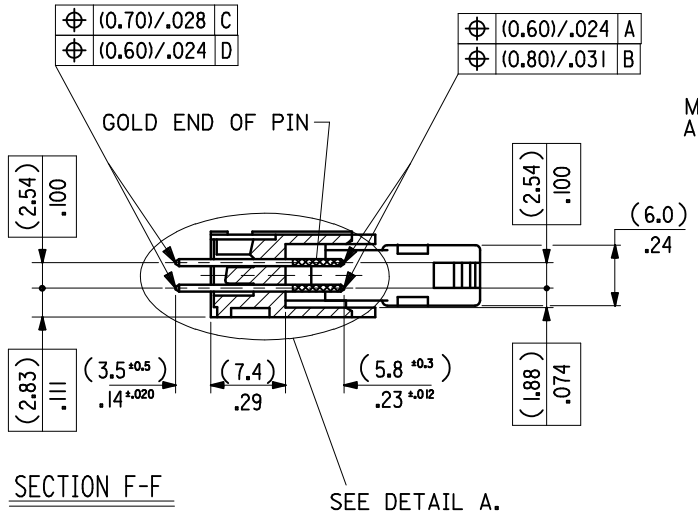


MIN. GOLD PLATE (5.10) AREA. .20 (3.0) .12

DIMENSIONS FOR SELECTIVE PLATING'S, SCALE 4:1

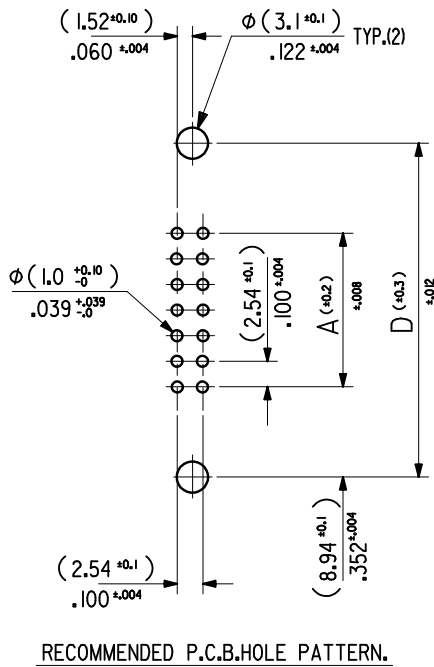
NOTES:

- 1: FOR MATERIAL SPECIFICATION SEE NOTE 1. ON SHEET 2.
- 2: FOR RECOMMENDED P.C.B. HOLE PATTERN, PART No's AND UNSTATED DIMENSIONS SEE SHEET 2.
- 3: PRODUCT SPEC.No.:PS-99020-0015.
- 4: THIS RIB IS NOT PRESENT ON 10 & 14 CKT PARTS.



REMOVED REFS TO COLOR STAMP EC NO: E2011-0063 DRWN: JOCONNOR 2010/08/12 CHKD: 2010/08/25 APPR: EFOLAN 2010/08/30	QUALITY SYMBOLS	GENERAL TOLERANCES (UNLESS SPECIFIED)		DIMENSION STYLE		SCALE	DESIGN UNITS	THIRD ANGLE PROJECTION	
	▽=0 ◻=0	mm	INCH	MM/IN		2:1	METRIC		
		4 PLACES ± --- ± ---	3 PLACES ± --- ± .008	DRAWN BY	DATE	TITLE			
		2 PLACES ± 0.20 ± .008	1 PLACE ± 0.20 ± ---	POB	1990/08/03	QF50 SRD HDR VT W/ELV			
	ANGULAR ± 2 °	DRAFT WHERE APPLICABLE MUST REMAIN WITHIN DIMENSIONS		CHECKED BY	DATE	MOLEX INCORPORATED			
		SEE SHEET 2		JDENNEHY	2004/11/24	DOCUMENT NO.		SHEET NO.	
				APPROVED BY	DATE	SDA-90663E		1 OF 9	
				JDENNEHY	2004/11/24	THIS DRAWING CONTAINS INFORMATION THAT IS PROPRIETARY TO MOLEX INCORPORATED AND SHOULD NOT BE USED WITHOUT WRITTEN PERMISSION			

(78.74)/3.100	(86.34)/3.400	(90.52)/3.564	(96.62)/3.804	(100.74)/3.966	90663-1641	90663-1642	90663-1643		64
(73.66)/2.900	(81.26)/3.200	(85.44)/3.364	(91.54)/3.604	(95.66)/3.766	↑ -1601	↑ -1602	↑ -1603		60
(60.96)/2.400	(68.56)/2.700	(72.74)/2.864	(78.84)/3.104	(82.96)/3.266	-1501	-1502	-1503	90663-1509	50
(48.26)/1.900	(55.86)/2.200	(60.04)/2.364	(66.14)/2.604	(70.26)/2.766	-1401	-1402	-1403	↑ -1409	40
(40.64)/1.600	(48.24)/1.900	(52.42)/2.064	(58.52)/2.304	(62.64)/2.466	-1341	-1342	-1343	-1349	34
(35.56)/1.400	(43.16)/1.700	(47.34)/1.864	(53.44)/2.104	(57.56)/2.266	-1301	-1302	-1303	-1309	30
(30.48)/1.200	(38.08)/1.500	(42.26)/1.664	(48.36)/1.904	(52.48)/2.066	-1261	-1262	-1263	-1269	26
(22.86)/.900	(30.46)/1.200	(34.64)/1.364	(40.74)/1.604	(44.86)/1.766	-1201	-1202	-1203	-1209	20
(17.78)/.700	(25.38)/1.000	(29.56)/1.164	(35.66)/1.404	(39.78)/1.566	-1161	-1162	-1163	-1169	16
(15.24)/.600	(22.84)/.900	(27.02)/1.064	(33.12)/1.304	(37.24)/1.466	↓ -1141	↓ -1142	↓ -1143	↓ -1149	14
(10.16)/.400	(17.76)/.700	(21.94)/.864	(28.04)/1.104	(32.16)/1.266	90663-1101	90663-1102	90663-1103	90663-1109	10
A	B	C	D	E	ENG. NO. GSI PLATING	ENG. NO. GS2 PLATING	ENG. NO. GS3 PLATING	ENG. NO. PRE TIN	NO.OF CKTS.



**NOTES**

**1. MATERIAL**

HEADER : GLASS FILLED POLYESTER (UL 94V0), COLOUR - BLACK.  
 PINS : BRASS SIZE  $\square$  (0.635)/.025 .  
 LEVER : GLASS FILLED POLYESTER (UL 94V0), COLOUR - BLACK.

**2. PLATING OPTIONS.**

- 90663-1\*\*1, (1um)/.039uin MIN. NICKEL UNDERPLATE. CONTACT AREA GS1 PLATING (0.1um)/.004uin MIN. GOLD. SOLDER AREA (3um)/.118uin MIN. TIN.
- 90663-1\*\*2, (1um)/.039uin MIN. NICKEL UNDERPLATE. CONTACT AREA GS2 PLATING (0.76um)/.030uin MIN. GOLD. SOLDER AREA (3um)/.118uin MIN. TIN.
- 90663-1\*\*3, (1um)/.039uin MIN. NICKEL UNDERPLATE. CONTACT AREA GS3 PLATING (0.25um)/.010uin MIN. GOLD. SOLDER AREA (3um)/.118uin MIN. TIN.
- 90663-1\*\*9, (0.5-1um)/.020-.040uin NICKEL UNDER (1.0-3.0um)/.039-.118uin TIN. PRE-TIN

**3. RECOMMENDED PCB THICKNESS 1.6mm**

REMOVED REFS TO COLOR STAMP EC NO: E2011-0063 DRWN: JOCONNOR 2010/08/12 CHKD: 2010/08/25 APPR: EFOLAN 2010/08/30	QUALITY SYMBOLS	GENERAL TOLERANCES (UNLESS SPECIFIED)	DIMENSION STYLE	SCALE	DESIGN UNITS	THIRD ANGLE PROJECTION	
	$\nabla = 0$ $\square = 0$	mm INCH	MM/IN	2:1	METRIC		
		4 PLACES $\pm$ --- $\pm$ ---	DRAWN BY DATE	POB 1990/08/03	TITLE		
		3 PLACES $\pm$ --- $\pm$ .008	CHECKED BY DATE	JDENNEHY 2004/11/24	QF50 SRD HDR VT W/ELV		
	2 PLACES $\pm$ 0.20 $\pm$ .008	APPROVED BY DATE	JDENNEHY 2004/11/24	MOLEX INCORPORATED			
	1 PLACE $\pm$ 0.20 $\pm$ ---	MATERIAL NO.	SEE CHART	DOCUMENT NO.	SDA-90663E		
	ANGULAR $\pm$ 2 °	DRAFT WHERE APPLICABLE MUST REMAIN WITHIN DIMENSIONS		SHEET NO. 2 OF 9			
		THIS DRAWING CONTAINS INFORMATION THAT IS PROPRIETARY TO MOLEX INCORPORATED AND SHOULD NOT BE USED WITHOUT WRITTEN PERMISSION					