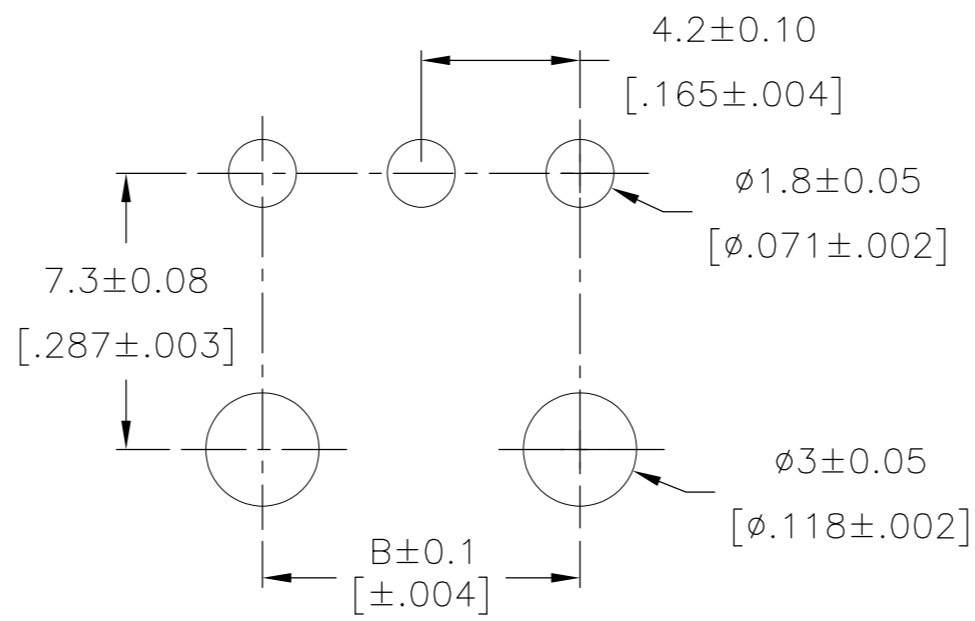
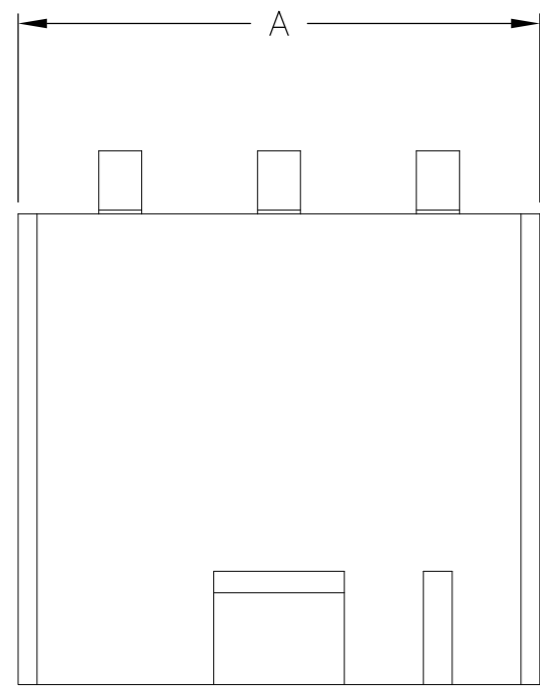


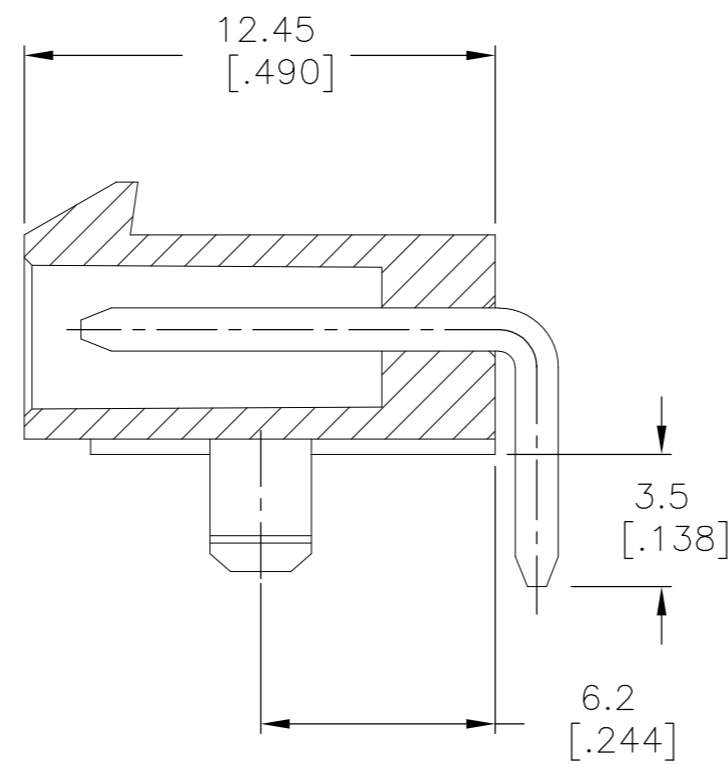
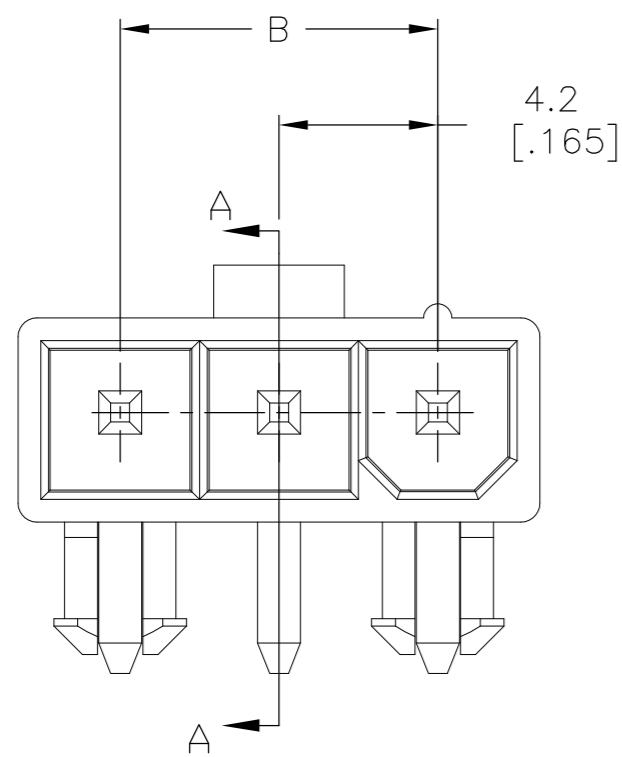
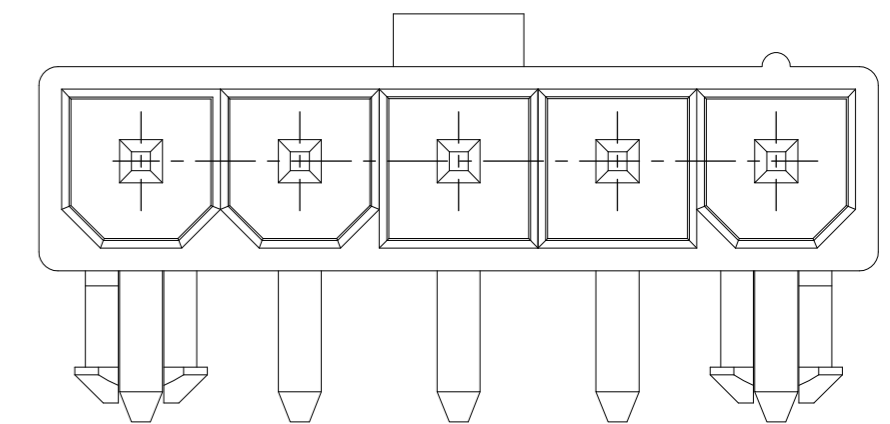
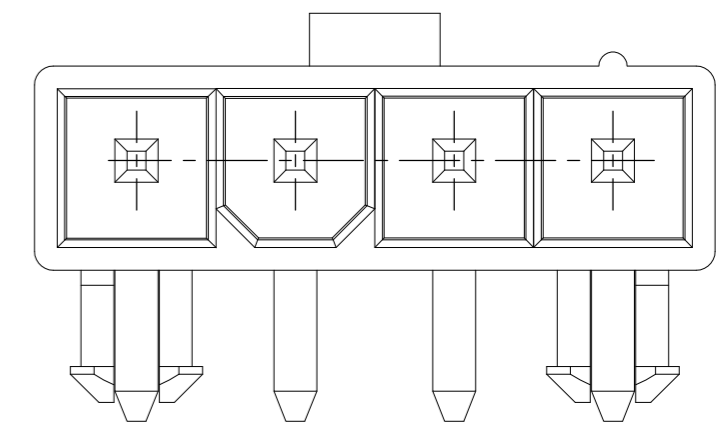
THIS DRAWING IS UNPUBLISHED. RELEASED FOR PUBLICATION
 © COPYRIGHT BY TYCO ELECTRONICS CORPORATION. ALL RIGHTS RESERVED.

LOC	DIST	REVISIONS					
CM	00	P	LTR	DESCRIPTION	DATE	DWN	APVD
		A		RELEASED	16OCT2008	KW	CC



RECOMMENDED MOUNTING HOLE PATTERN FOR 1.78 [0.070] MAX THK P.C. BOARD

1 MATERIAL: HOUSING: NYLON, UL94V-2
 CONTACTS: BRASS, TIN-PLATED



SECTION A-A

2029150-3 SHOWN

5	16.8 [.661]	22.2 [.874]	2029150-5
4	12.6 [.496]	18 [.709]	2029150-4
3	8.4 [.330]	13.8 [.543]	2029150-3
POS	B	A	PART NUMBER

METRIC

THIS DRAWING IS A CONTROLLED DOCUMENT.		DWN K. WHITAKER 14OCT2008	Tyco Electronics Corporation Harrisburg, PA 17105-3608	
DIMENSIONS: mm [INCHES]		CHK C. CASH 14OCT2008	NAME RIGHT ANGLE HEADER, WITH PEGS, 94V-2, VAL-U-LOK(TM)	
TOLERANCES UNLESS OTHERWISE SPECIFIED: 0 PLC ± 1 PLC ± 0.13 [.005] 2 PLC ± 0.13 [.005] 3 PLC ± 4 PLC ± ANGLES ±		APVD C. CASH 14OCT2008	PRODUCT SPEC	
MATERIAL		APPLICATION SPEC	WEIGHT	RESTRICTED TO
1		FINISH	SCALE A2 00779 C=2029150	REV A
CUSTOMER DRAWING			SCALE 5:1	SHEET 1 OF 1