

4

3

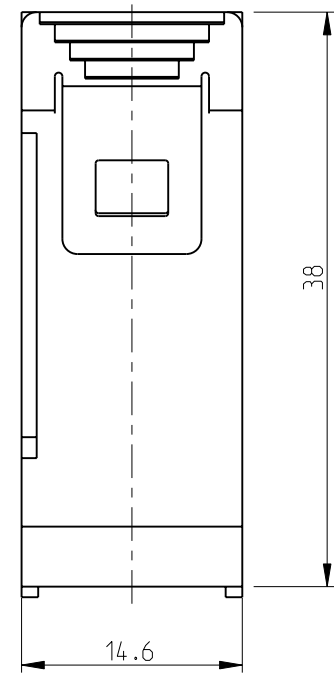
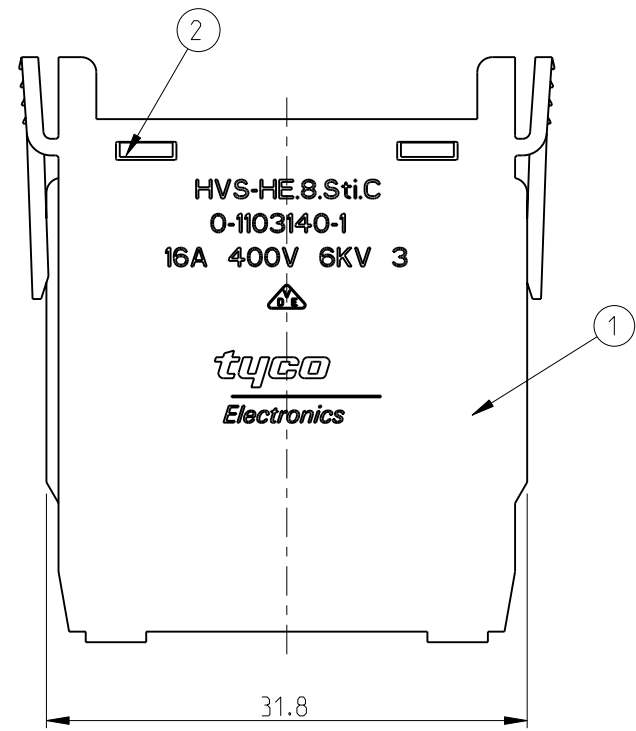
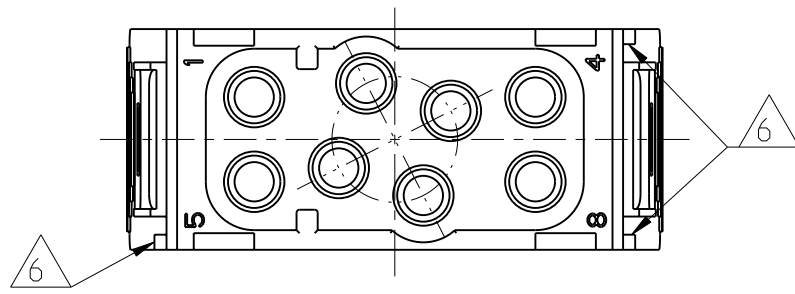
2

1

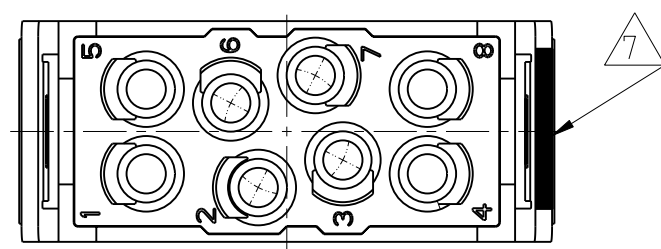
THIS DRAWING IS UNPUBLISHED. RELEASED FOR PUBLICATION 2000
 © COPYRIGHT 2000 BY TYCO ELECTRONICS CORPORATION. ALL RIGHTS RESERVED.

LOC	DIST	REVISIONS					
		P	LTR	DESCRIPTION	DATE	DWN	APVD
A1		B1		ECR-10-021590	200CT2010	SR	OH

Contact arrangement
view from connecting side

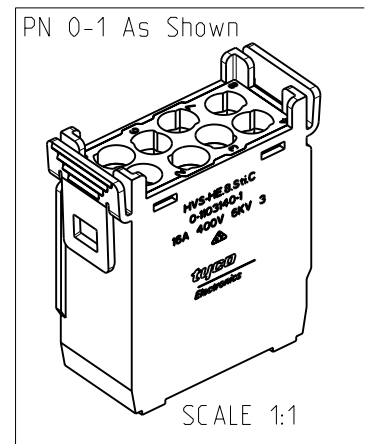


Contact arrangement
view from termination side



NOTES

- SUITABLE CRIMP CONTACTS: SERIES HE/HA
CUSTOMER DRAWING: 1105100
OUTER DIMENSIONS OF INSULATION: MAX. Ø4.9mm
- SUITABLE MODULE FIXING FRAME: SERIES HVS SIZE 3 TO 8
CUSTOMER DRAWING: 1103250
- SUITABLE INSERTION TOOL:
CUSTOMER DRAWING: 0-1102855-6
- SUITABLE EXTRACTION TOOL:
CUSTOMER DRAWING: 0-1102855-7
- STANDARDS:
DIN EN 61984; DIN EN 60664-1
- △6 POLARIZATION RIPS
- △7 MARKING OF POLARIZATION ACCORDING TO MARKING OF MODULE FRAME
- PACKAGING:
10 SETS IN A CARTON, PRE-MOUNTED



QTY	DESCRIPTION	MATERIAL	COLOR	ITEM NO
1	MALE INSERT	PC-GF20	LYGHT GREY	2
1	COVER FOR MALE INSERT	PC-GF20	LYGHT GREY	1
HVS-HE.8.Sti.C				

THIS DRAWING IS A CONTROLLED DOCUMENT FOR TYCO ELECTRONICS CORPORATION IT IS SUBJECT TO CHANGE AND THE CONTROLLING ENGINEERING ORGANIZATION SHOULD BE CONTACTED FOR THE LATEST REVISION.		DWN 24.08.2005 M.SCHWEIGER CHK 23.08.2005 T.SCHNURPFIL APVD	Tyco Electronics AMP GmbH 53757 Sankt Augustin, Germany
DIMENSIONS: mm	TOLERANCES UNLESS OTHERWISE SPECIFIED: ISO 8075 DIN ISO 2768 mH-E DIN 15901-120 0 PLC ± 1 PLC ± 2 PLC ± 3 PLC ± 4 PLC ± ANGLES ±	PRODUCT SPEC 108-74073 APPLICATION SPEC 114-74073 WEIGHT	NAME MALE INSERT ASSY HVS-HE.8.STI.C SIZE A3 CAGE CODE 00779 DRAWING NO C-1103140 RESTRICTED TO
MATERIAL	FINISH	CUSTOMER DRAWING	SCALE 2:1 SHEET 1 OF 1 REV B1