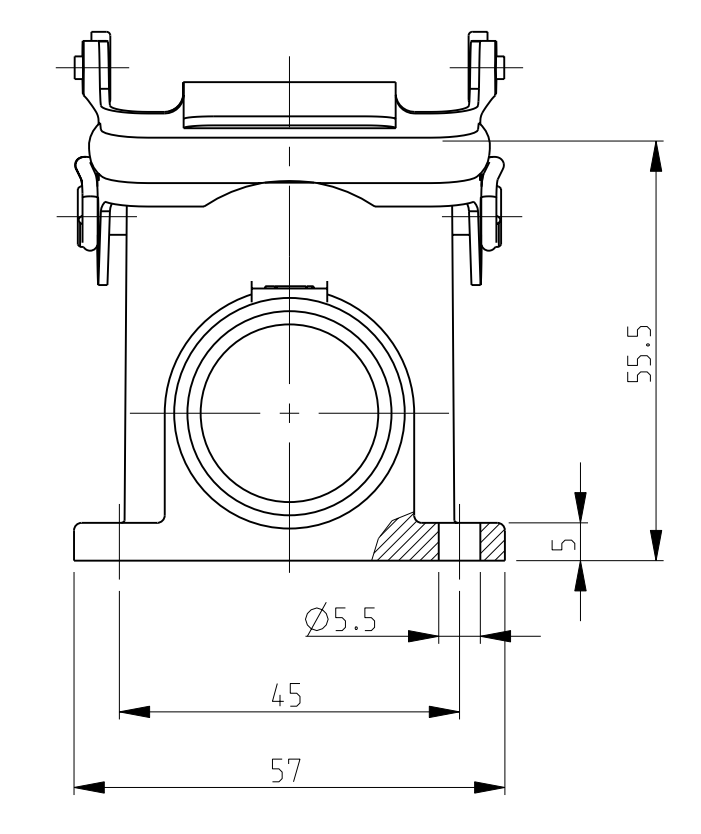
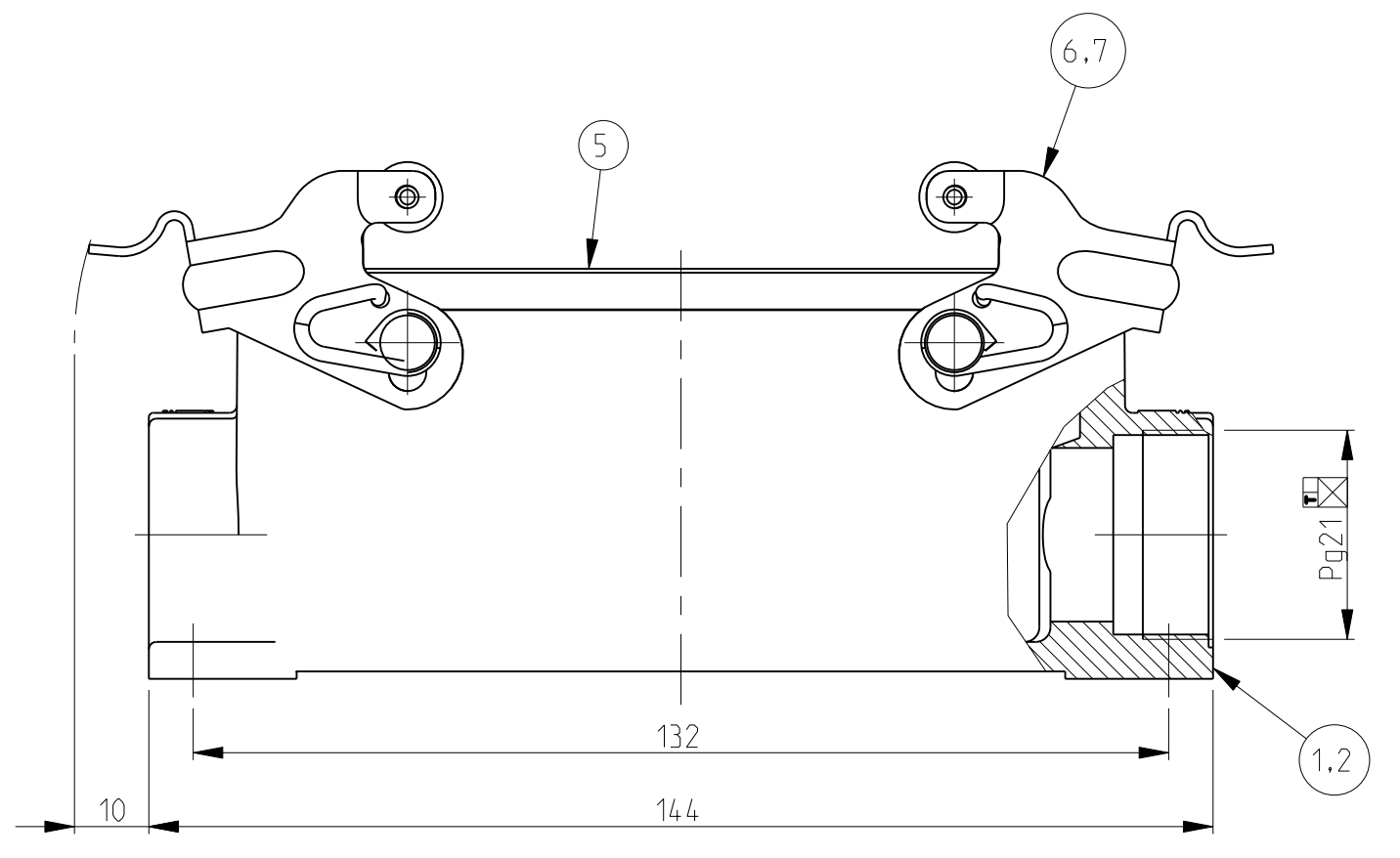
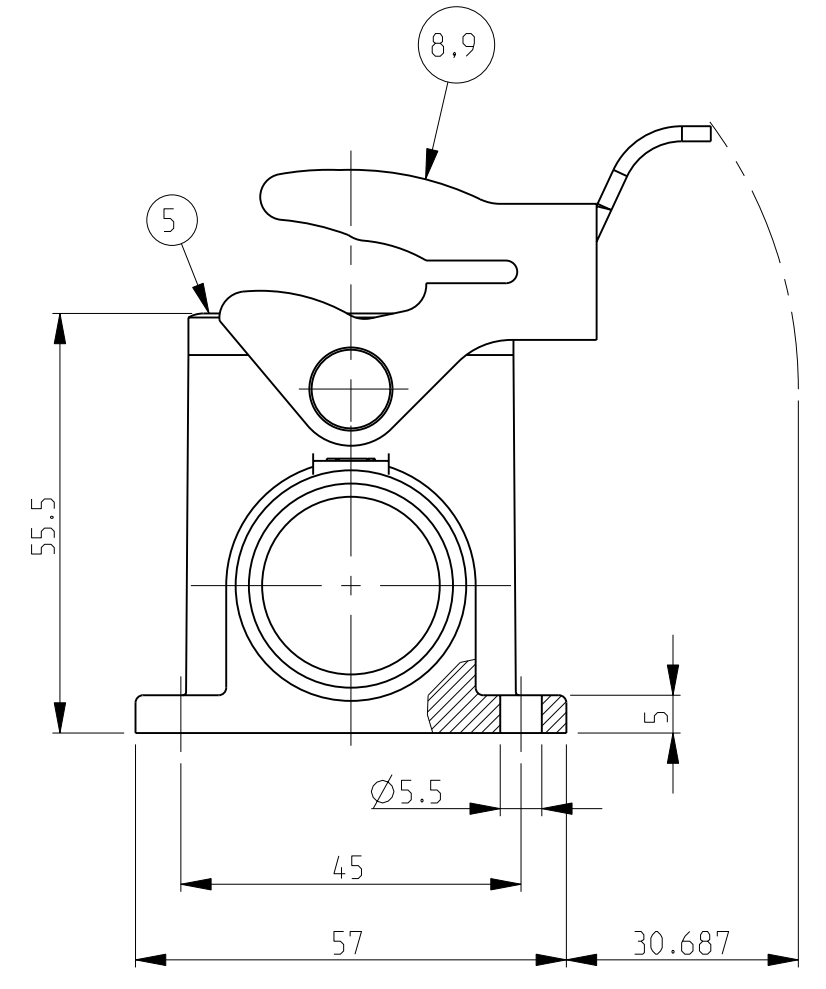
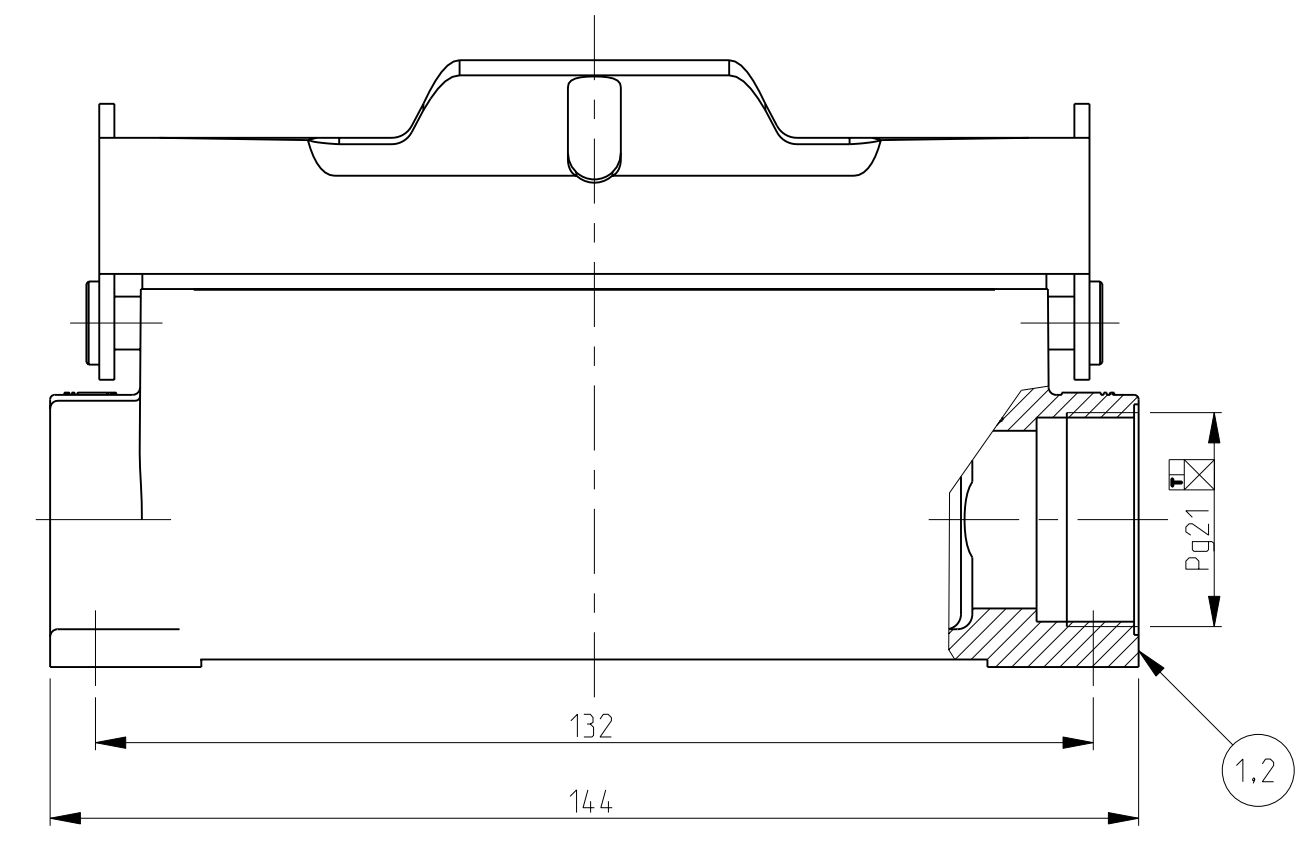


LOC		DIST		REVISIONS			
P	LTB	DESCRIPTION	DATE	DWN	APVD		
A5		Released as per ECR-08-018916	29.July.2008	SP	TS		

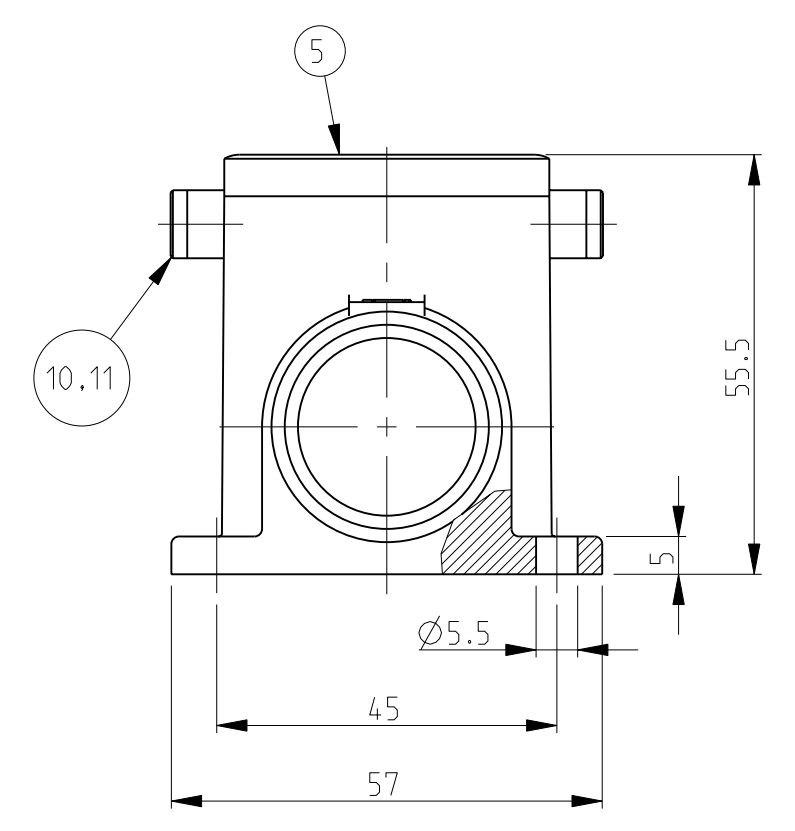
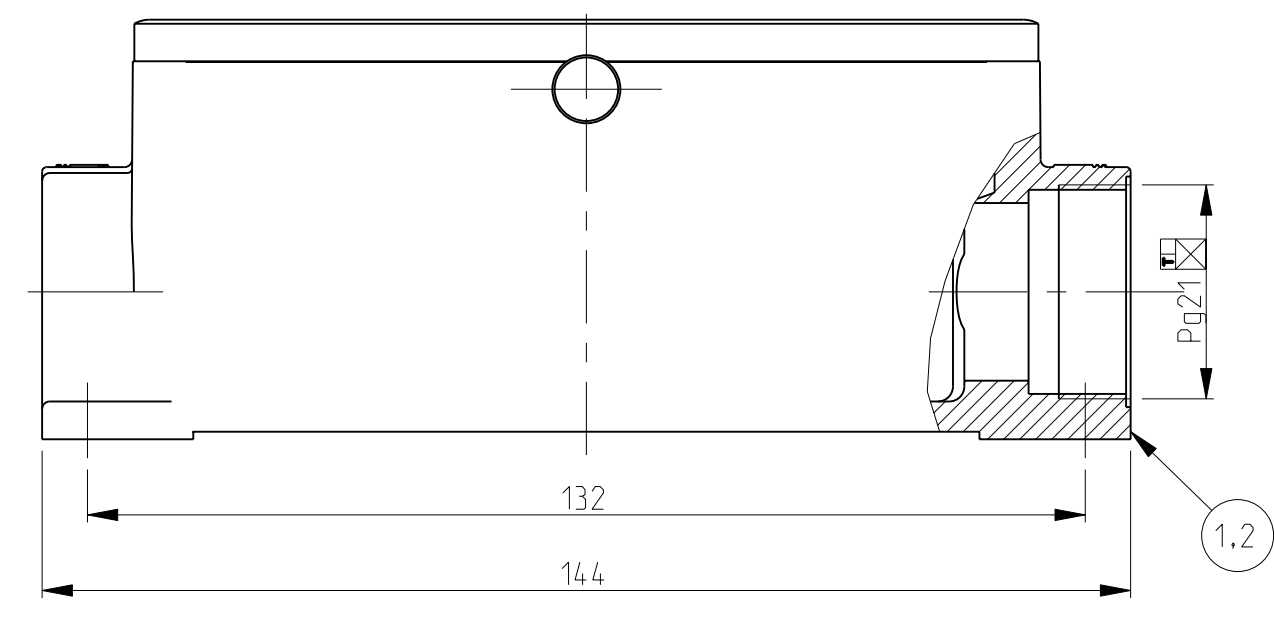
PN 1-1 & 2-1



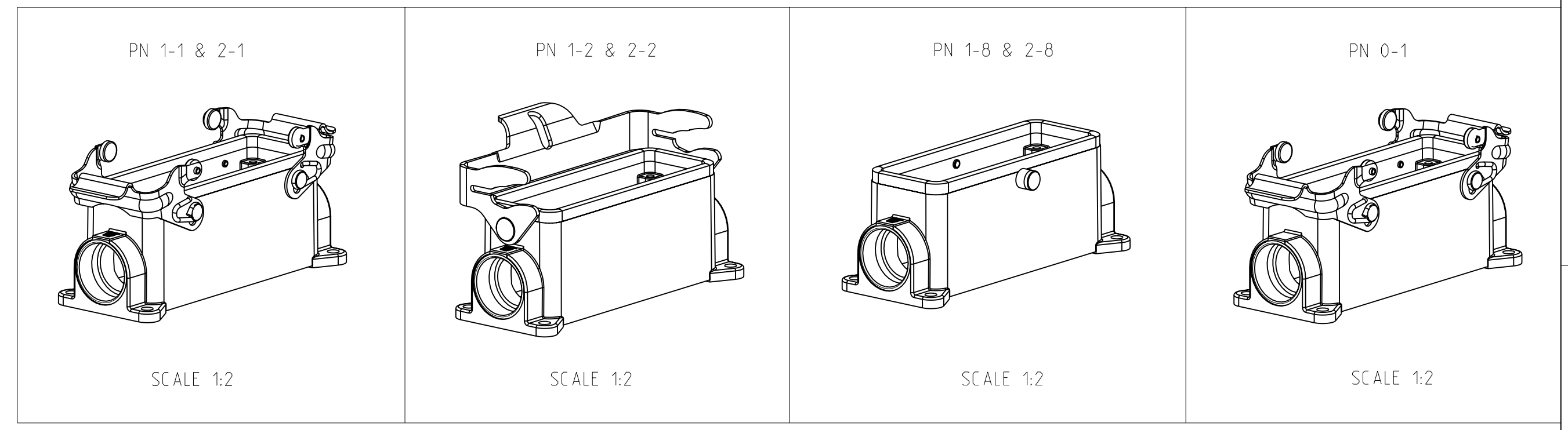
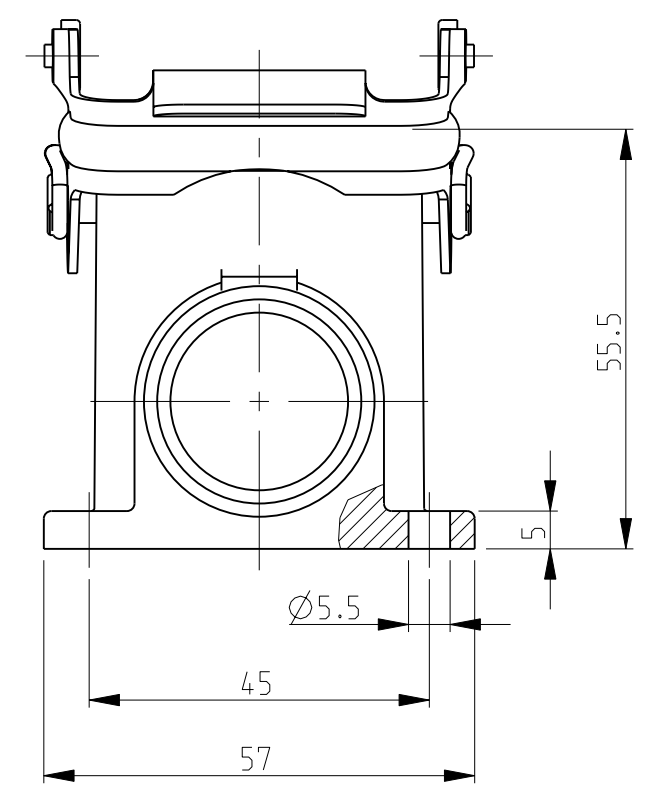
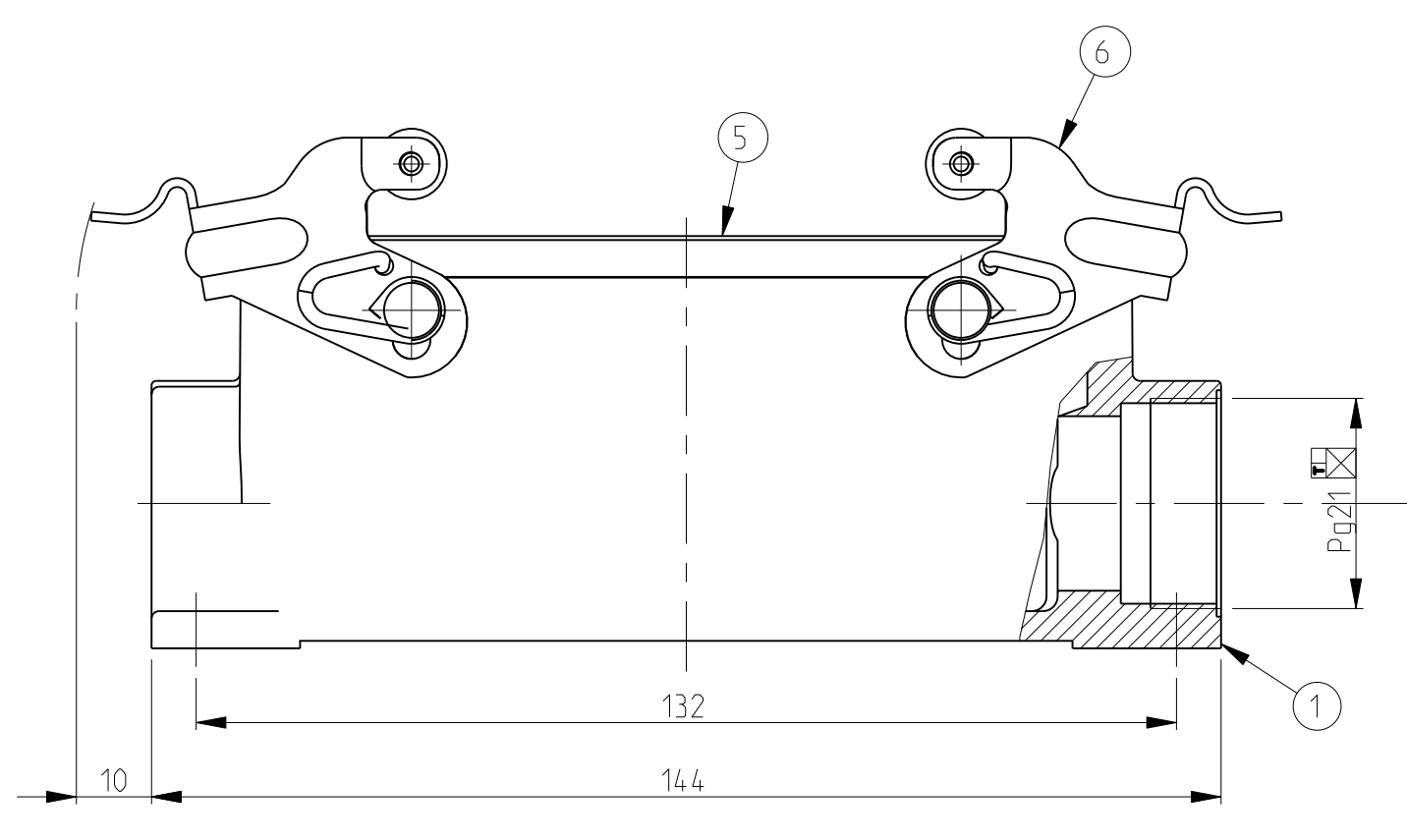
PN 1-2 & 2-2



PN 1-8 & 2-8



PN 0-1



- NOTES.
- 1 Material:Housing:Aluminium Diecasting Alloy  
Seals:Neoprene
  - 2 Surface:Varnish grey  
-Aluminium Oxide +Varnish Black
  - 3 Varnish on the inside not necessary
  - 4 Packaging  
Quantity 5 Pieces in a box

QTY	DESCRIPTION	MATERIAL	SURFACE	COLOR	ITEM NO	REMARKS
2	ZB-Clip bolt	Stainless steel			11	
2	ZB-Clip bolt	Steel	Zinc plated		10	
1	LB-Side clip	Stainless steel			9	
1	LB-Side clip	Steel	Zinc plated		8	
2	VS-Locking clip	Stainless steel			7	
2	VS-Locking clip	Steel	Zinc plated		6	
1	Profile seal	Neoprene		Black	5	
1	Surface mounted housing side entry HB.24.Pg.1.21	Aluminium		No varnish	4	
1	Surface mounted housing side entry HB.24.Pg.1.21	Aluminium		Grey RAL 7001	3	
1	Surface mounted housing side entry HB.24.Pg.1.21	Aluminium	Aluminium oxide	Black RAL 9005	2	
1	Surface mounted housing side entry HB.24.Pg.1.21	Aluminium		Grey RAL 7001	1	

QTY	DESCRIPTION	MATERIAL	SURFACE	COLOR	ITEM NO	REMARKS
3-1	ORDERING TEXT					
13-0	HB.24.SG-VS.1.21.Z					
0-1	HB-K.24.SG-VS.1.21.Z					
2-8	HB.24.SG-LB.1.21.Z					
1-8	HB-K.24.SG-LB.1.21.Z					
2-2	HB-Z.24.SG-ZVGR.1.21.Z					
1-2	HB-K/Z.24.SG-ZVGR.1.21.Z					
2-1	HB.24.SG-VS.1.21.Z					
1-1	HB.24.SG-VS.1.21.Z					

DIMENSIONS:		TOLERANCES UNLESS OTHERWISE SPECIFIED:		DWN 20.04.1998		Tyco Electronics		Tyco Electronics,AMP.GmbH	
mm		0.100		Schweiger		NAME		0-53819,Neunkirchen,Germany	
MATERIAL		FINISH		PRODUCT SPEC		SIZE		RESTRICTED TO	
				108-74001.74003		A   00779		-	
				APPLICATION SPEC		C=1102331		-	
				114-74001.74004		SCALE		1 OF 1	
				WEIGHT		1:1		REV A5	
				CUSTOMER DRAW ING					