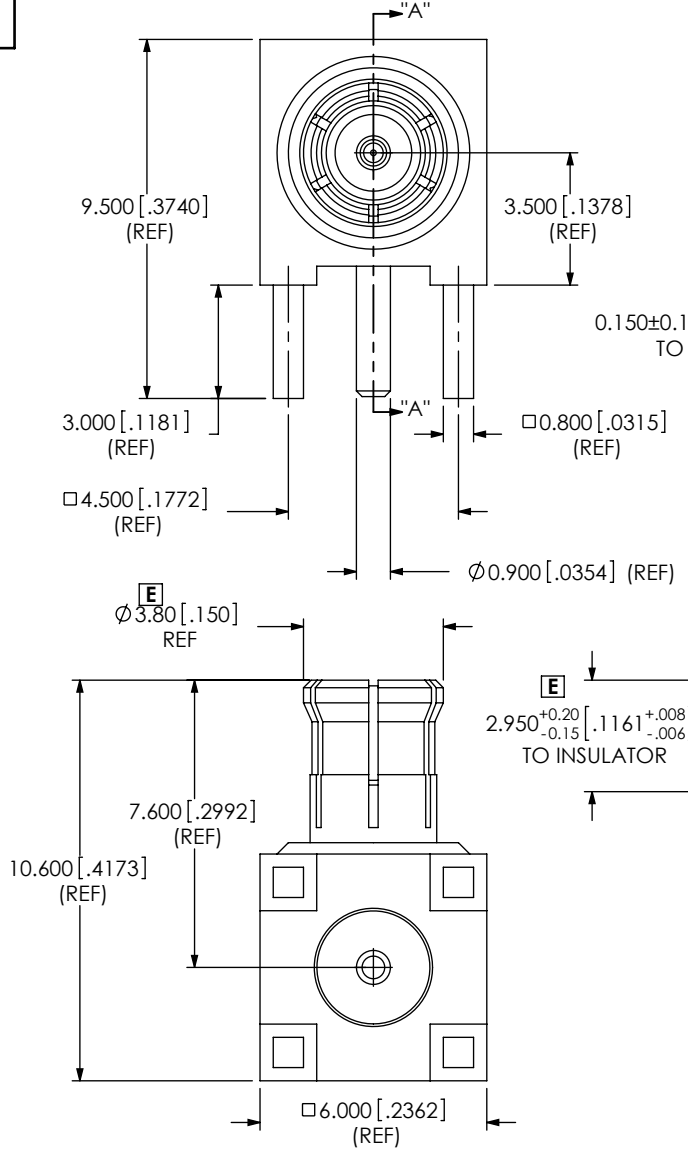
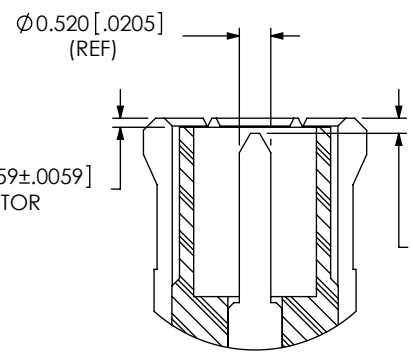


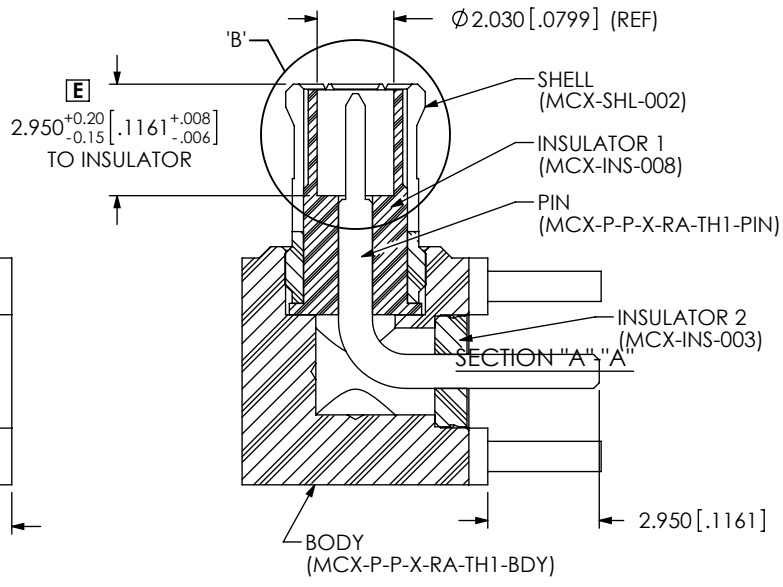
DO NOT SCALE FROM THIS PRINT



DESIGNED & DIMENSIONED IN MILLIMETERS [INCHES]

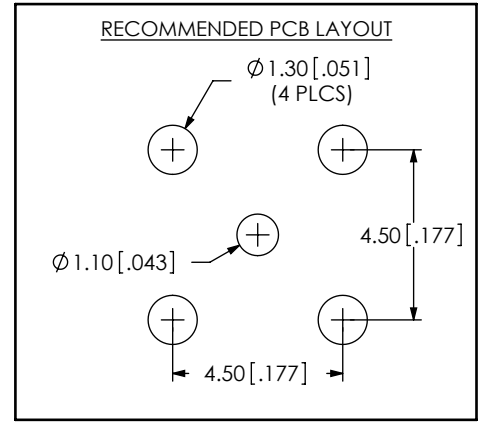
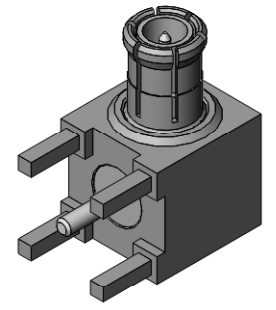


DETAIL 'B' SCALE 8:1



MCX-P-P-X-RA-TH1

GENDER -P: PLUG
 TYPE -P: PCB
 PLATING SPECIFICATION -H: HEAVY GOLD
 TERMINATION -TH1: THROUGH HOLE
 ORIENTATION -RA: RIGHT ANGLE



- NOTES:
- ⊕ REPRESENTS A CRITICAL DIMENSION.
 - PUSHOUT FORCE FOR INSULATOR: 20 N [4.5 LB] MIN.
 - PRODUCT TO BE PACKAGED PER PACKAGING STANDARD CO-HD-WI-3040-M.
 - RoHS COMPLIANT.
 - PLATING: -H: .000030" MIN GOLD OVER .000050" MIN NICKEL
 -F: .000003" MIN GOLD OVER .000050" MIN NICKEL
 - ASSEMBLY PLATING DESIGNATION:
 -H: (CENTER CONTACT) -H
 (REMAINING METAL PARTS) -F

F:\dwg\misc\mktg\MCX-P-P-X-RA-TH1-MKT.SLDDRW

UNLESS OTHERWISE SPECIFIED, DIMENSIONS ARE IN MILLIMETERS. TOLERANCES ARE:
 DECIMALS ANGLES
 .X: ±0.3 [.01] 2°
 .XX: ±0.13 [.005]
 .XXX: ±0.051 [.0020]

PROPRIETARY NOTE
 THIS DOCUMENT CONTAINS INFORMATION CONFIDENTIAL AND PROPRIETARY TO SAMTEC, INC. AND SHALL NOT BE REPRODUCED OR TRANSFERRED TO OTHER DOCUMENTS OR DISCLOSED TO OTHERS OR USED FOR ANY PURPOSE OTHER THAN THAT WHICH IT WAS OBTAINED WITHOUT THE EXPRESSED WRITTEN CONSENT OF SAMTEC, INC.

520 PARK EAST BLVD, NEW ALBANY, IN 47150
 PHONE: 812-944-6733 FAX: 812-948-5047
 e-Mail: info@SAMTEC.com code 55322

MATERIAL: DO NOT SCALE DRAWING SHEET SCALE: 5:1
 CONTACT, BODY: BRASS
 SHELL: COPPER ALLOY
 DIELECTRIC: PTFE

DESCRIPTION:
 MCX RIGHT ANGLE, THROUGH HOLE PLUG- 50 OHM
 DWG. NO.
MCX-P-P-X-RA-TH1