



AP1013DEN

18V 1ch H-Bridge Motor Driver IC

1. General Description

The AP1013DEN realizes four drive mode of forward, reverse, break and standby by 1 channel H-bridge motor driver corresponding to operating voltage 18V. The AP1013DEN layouts N-channel LDMOSFET in high side and low side in output circuit and realizes a small package. Also it has under voltage detection and thermal shut down circuits. It is suitable for driving various small motor.

2. Features

- Control Power Supply Voltage (VC) 2.7V to 5.5V
- Logic Terminal Supply Voltage 1.62V to VC
- Wide Motor Driver Operating Voltage 2V to 18V
(N-channel MOSFET high side and Low side architecture)
- Maximum Output Current (DC) 1.3A
- Maximum Output Current (Peak) 2.2A (Ta=25°C, within 10ms in 200ms)
- Maximum Output Current (Peak) 3.3A (Ta=25°C, within 5ms in 200ms)
- Maximum Output Current (Peak) 5.0A (Ta=25°C, within 2ms in 200ms)
- H-Bridge On Resistance RON(TOP+BOT)=0.38Ω@25°C
- Power-Save Mode Quiescent current is under 1uA (Ta=25°C)
- Built-in Under Voltage Detection Circuit Detect V_{VC} under 2.2V
- Built-in Thermal Shut Down Circuit (Tj) 175°C
- Junction Temperature 150°C
- Package 16-pin QFN (3mm×3mm)

3. Table of Contents

1. General Description	1
2. Features.....	1
3. Table of Contents.....	2
4. Block Diagram.....	3
5. Ordering Guide	3
6. Pin Configurations and Functions.....	4
■ Pin Configurations	4
■ Functions	4
■ Terminal Equivalent Circuit	5
7. Absolute Maximum Ratings	7
8. Recommended Operating Conditions	8
9. Electrical Characteristics	8
10. Descriptions	11
10.1. Control Logic.....	11
10.2. Basic Architecture of the Motor Driver.....	11
10.3. Protection Circuits	12
11. Recommended External Circuits.....	13
■ Recommended External Circuit.....	13
■ Parts List	13
12. Package.....	14
■ Outline Dimensions	14
■ Reference Foot Pattern	14
■ Marking	15
13. Revise History	16
IMPORTANT NOTICE	17

4. Block Diagram

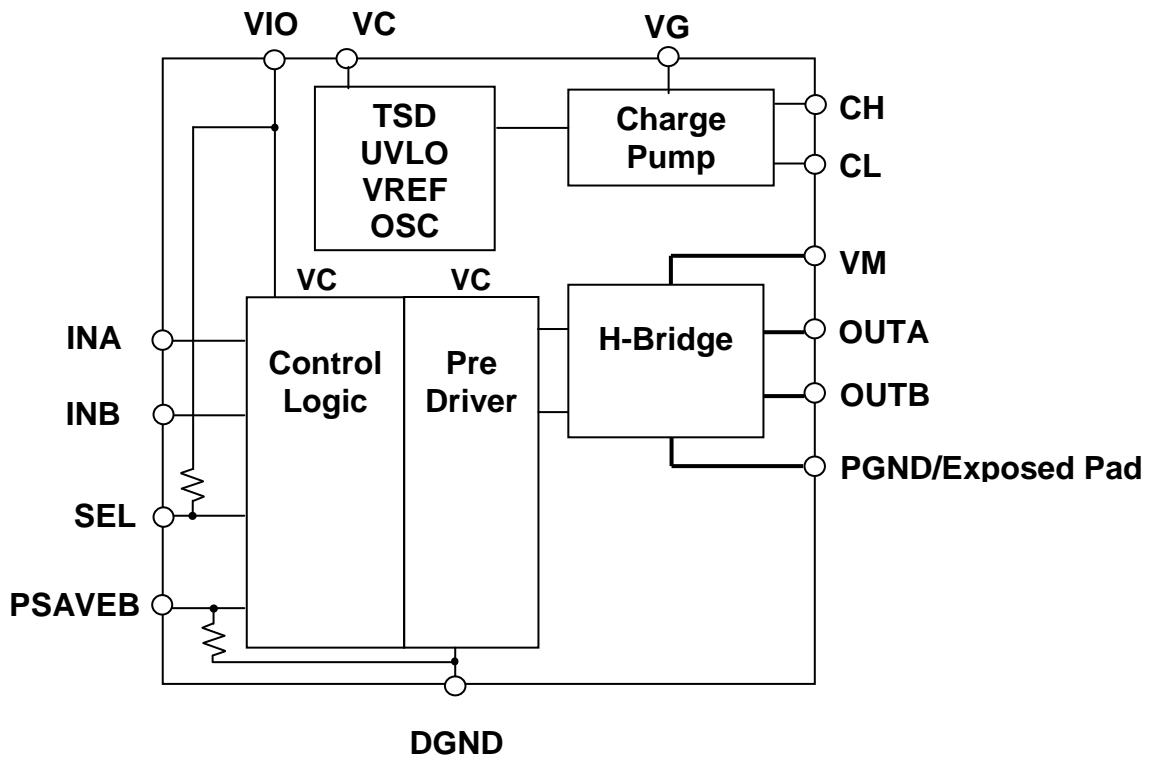


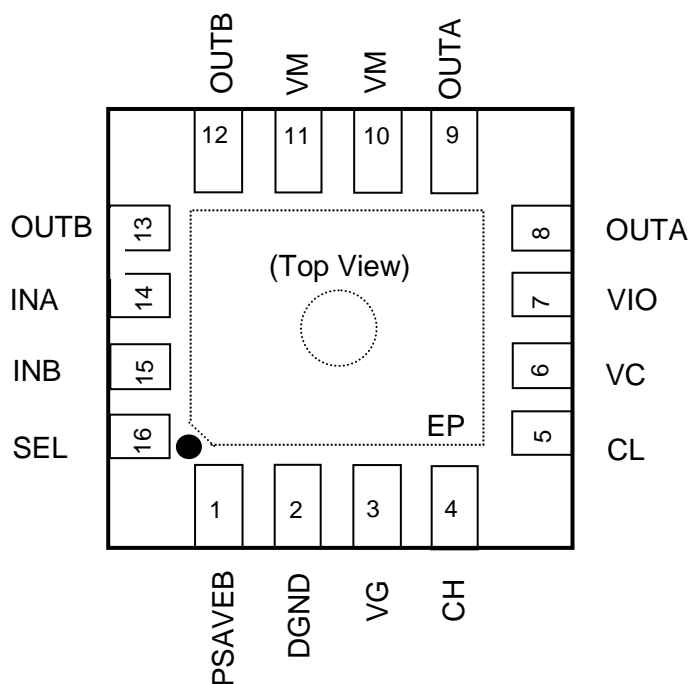
Figure 1. Block Diagram

5. Ordering Guide

AP1013DEN	-30~85°C	16-pin QFN
-----------	----------	------------

6. Pin Configurations and Functions

■ Pin Configurations



Note) EP(Exposed Pad) is Power Ground.
The Exposed Pad is necessary soldered to PCB.

■ Functions

No	Pin Name	I/O	Description	Note
1	PSAVEB	I	Power save input terminal	100kΩ Pull-down
2	DGND	P	Ground terminal	
3	VG	O	Connect terminal of charge pump output capacitor	
4	CH	O	Connect terminal of charge pump capacitor	
5	CL	O	Connect terminal of charge pump capacitor	
6	VC	P	Control power supply terminal	
7	VIO	P	Power supply terminal for logic input	
8,9	OUTA	O	Motor driver output terminal	
10,11	VM	P	Motor driver power supply	
12,13	OUTB	O	Motor driver output terminal	
14	INA	I	Control signal input terminal	
15	INB	I	Control signal input terminal	
16	SEL	I	Select signal input terminal	100kΩ Pull-up
EP	PGND	P	Power ground terminal	Exposed Pad

Note 1. I (Input terminal), O(Output terminal) and P (Power terminal)

■ Terminal Equivalent Circuit

Pin name	Name	Functions	Equivalent Circuits
6	VC	Control power supply	
7	VIO	Power supply for logic input	
10,11	VM	Motor driver power supply	
1	PSAVEB	Logic input (Built-in pull-down resistor)	
16	SEL	Logic input (Built-in pull-up resistor)	
14 15	INA INB	Control signal input	
8,9 12,13	OUTA OUTB	Motor driver output	
3 4	VG CH	Connect terminal of charge pump output capacitor Connect terminal of charge pump capacitor	

Pin name	Name	Functions	Equivalent Circuits
5	CL	Connect terminal of charge pump capacitor	
2 EP	DGND PGND	Ground terminal Power ground terminal	

7. Absolute Maximum Ratings

Parameter	Symbol	min	max	Unit	Note
Control power supply voltage	VC	-0.5	6	V	
Logic terminal supply voltage	VIO	-0.5	6	V	
Motor driver power supply voltage	VM	-0.5	19	V	
VC, VIO level terminal voltage (PSAVEB, SEL, INA, INB, CL)	Vterminal1	-0.5	5.5	V	
VM level terminal voltage (OUTA, and OUTB)	Vterminal2	-0.5	19	V	
VG, CH terminal voltage	Vterminal3	-0.5	25	V	
Maximum DC output current	IloadcMD	-	1.3	A	OUTA and OUTB terminal
Maximum peak output current	IloadpeakMD	-	2.2 3.3 5.0	A	OUTA and OUTB terminal Under 10ms in 200ms Under 5ms in 200ms Under 2ms in 200ms
Power dissipation	PD	-	2083	mW	(Note 4) Ta=25°C
		-	1083	mW	(Note 4) Ta=85°C
Operating Temperature range	Ta	-30	85	°C	
Junction temperature	Tj	-	150	°C	
Storage temperature	Tstg	-65	150	°C	

Note 2. All above voltage is defined to VSS (DGND/PGND terminal voltage)

Note 3. Product quality may suffer if the absolute maximum rating is exceeded even momentarily for any parameter. That is, the absolute maximum ratings are rated values at which the products on the verge of suffering physical damages, and therefore products must be used under conditions that ensure that the absolute maximum ratings are not exceeded.

Note 4. When 2-layer board is used, this is calculated RθJ=60°C/W. EP terminal should be connected to ground.

Note 5. Input terminal does not work until input logic terminal power supplies VIO, and is handled as “L” fixation.

Note 6. The each power supply of VM, VC and VIO is sequence-free.

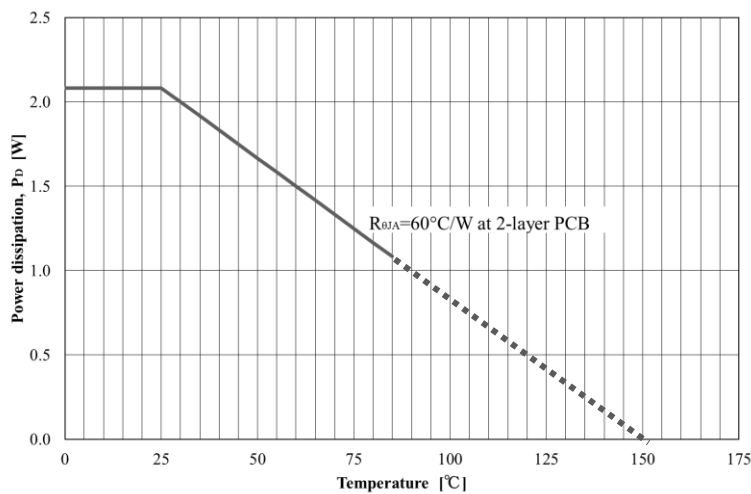


Figure 2. Power Dissipation

8. Recommended Operating Conditions

Parameter	Symbol	min	typ	max	Unit
Control power supply voltage	VC	2.7	3.3	5.5	V
Logic terminal supply voltage	VIO	1.62	1.8/3.3	VC	V
Motor driver power supply voltage	VM	2.0	-	18	V
Input frequency range	Fin	-	-	200	kHz

9. Electrical Characteristics

(Ta=25°C, VM=15V, VC=3.3V and VIO= 3.3V, unless otherwise specified.)

Parameter	Symbol	Test conditions	min	typ	max	Unit
Charge pump						
Charge pump voltage	VG	VG=VC+VM	18.0	18.2	18.3	V
Charge pump wake up time	t _{VG}	VG=VC+VM-0.3V	0.1	0.36	3	ms
VDET1						
VC under voltage detect voltage	VC _{DETLV}		1.9	2.2	2.5	V
TSD						
Thermal shut down temperature (Note 7)	T _{DET}		150	175	200	°C
Temperature hysteresis (Note 7)	T _{DETHYS}		20	30	40	°C
Quiescent current						
VM quiescent current at no power	I _{VMNOPOW}	VC=0V	-	-	1	μA
VM quiescent current at standby	I _{VMSTBY}	PSAVEB="H", SEL="H", No load	-	16	50	μA
VC quiescent current at standby	I _{VCSTBY}	PSAVEB="H", SEL="H", No load	-	150	400	μA
VC quiescent current at power save	I _{VMPSAVE}	PSAVEB="L", SEL="H"	-	-	1	μA
VC quiescent current at PWM operation	I _{VCPWM}	f _{pwm} =200kHz	-	0.5	0.8	mA
Motor Driver						
Driver on resistance (High side or Low side)	R _{ON1}	VC=3.3V, Iload=100mA Ta=25°C	-	0.19	0.27	Ω
Driver on resistance (High side or Low side) (Note 7)	R _{ON2} Design certification	VC=3.3V, Iload=1.0A Ta=25°C (Equivalent Tj=50°C)	-	0.21	0.29	Ω
Driver on resistance (High side or Low side) (Note 7)	R _{ON3} Design certification	VC=3.3V, Iload=1.0A Ta=85°C (Equivalent Tj=115°C)	-	0.25	0.35	Ω

Parameter	Symbol	Test conditions	min	typ	max	Unit
Body diode forward voltage	V_{FMD}	$I_F=100mA$	-	0.8	1.2	V
H-Bridge propagation delay time ("L"→"L") (Note 8)	t_{PDLHB}	SEL="L", tr=tf=10ns	-	0.10	0.5	μs
H-Bridge propagation delay time ("H"→"H") (Note 8)	t_{PDHHB}		-	0.35	1.0	μs
H-Bridge propagation delay time (HiZ→"H")	t_{PDZHHB}		-	0.15	0.5	μs
H-Bridge propagation delay time ("H"→HiZ)	t_{PDHZHB}		-	0.15	1.0	μs
H-Bridge propagation delay time ("H"→"L") (Note 8)	t_{PDHLHB}	SEL="H", tr=tf=10ns	-	-	1.0	μs
H-Bridge propagation delay time ("L"→"H") (Note 8)	t_{PDLHHB}		-	-	1.0	μs
H-bridge output puls width	t_{PWOHB}	PWL=1.0us, tr=tf=10ns	0.6	0.9	-	μs
Control logic						
Input "H" level voltage (INA, INB, SEL, PSAVEB)	V_{IH}	VIO=1.6V~5.5V	$0.7 \times VIO$	-	-	V
Input "L" level voltage (INA, INB, SEL, PSAVEB)	V_{IL}		-	-	$0.3 \times VIO$	V
Input "H" level current (INA, INB, SEL)	I_{IH}	VIO=1.6V~5.5V	-	-	1	μs
Input "L" level current (INA, INB, PSAVEB)	I_{IL}		-1	-	-	μs
Input terminal pullup register (SEL)	R_{PU}		50	100	200	k Ω
Input terminal pulldown register (PSAVEB)	R_{PD}		50	100	200	k Ω
VIO input "H" level voltage (VIO)	VIO_H	VC=3.3V, VM=15V, INA="H", INB="L", VIO: 0V => 1.1V	1.1	-	-	V
VIO input "L" level voltage (VIO)	VIO_L	VC=3.3V, VM=15V, INA="H", INB="L", VIO: 3.3V => 0.3V	-	-	0.3	V

Note 7. Not tested under mass-production.

Note 8. Refer [Figure 3](#).

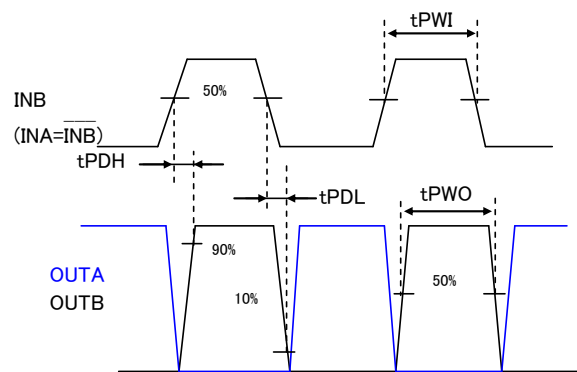


Figure 3. Time chart of propagation of delay time and pulse width (CL=100pF, RL=1kΩ)

10. Descriptions

10.1. Control Logic

The relations of the input and output of each mode are as follows.

Table 1. Input and Output relations

PSAVEB	SEL	Input		Output		Motion
		INA	INB	OUTA	OUTB	
H	L	L	L	Hi-Z	Hi-Z	Standby (Idling)
H	L	L	H	L	H	Reverse
H	L	H	L	H	L	Forward
H	L	H	H	L	L	Break (Stop)
H	H	L	X	L	L	Break (Stop)
H	H	H	L	H	L	Forward
H	H	H	H	L	H	Reverse
L	X	X	X	Hi-Z	Hi-Z	Power save (Note 9)

Note 9. TSD/UVLO/VREF/OSC/Charge pump are shut down.

Note 10. Input terminal is handled as Low fixation when VIO is not input power, OUTA/OUTB are Hi-Z condition.

10.2. Basic Architecture of the Motor Driver

The AP1013DEN places N-channel LD MOSFET on both sides of high side and low side in the output circuit and realize small package. High side MOSFET is driven by VG. $VG=VM+VC$ is generated with a charge pump. VG reaches the targeted level at the time of the charge pump setup within 0.36ms (typ). Low side MOSFET is driven by VC.

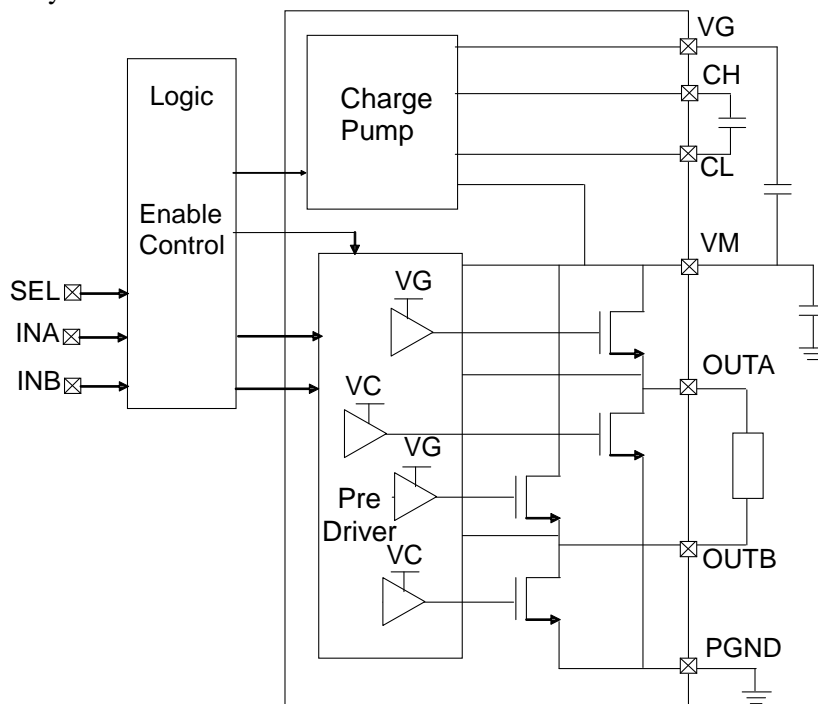


Figure 4. Motor driver part equivalent circuit

The OSC block supplies a drive pulse to a charge pump. The logic of input interface is operated by logic power supply VIO. The input interface does not work until VIO is input, and handled as “L” fixation.

10.3. Protection Circuits

The AP1013DEN has penetration current prevention, thermal shut down and under voltage detection circuits.

- Penetration current prevention circuit

MOSFET turns off both of high side and low side during the dead time period when penetration current prevention circuit operates. During this period, either body diode is turn on depends on the direction of the current. Figure 5 shows an example when the AP1013DEN drives the output from “L” to “H” in. (a) shows the case that current flows from external load to the AP1013DEN, (b) shows the case that current flows from the AP1013DEN to external load

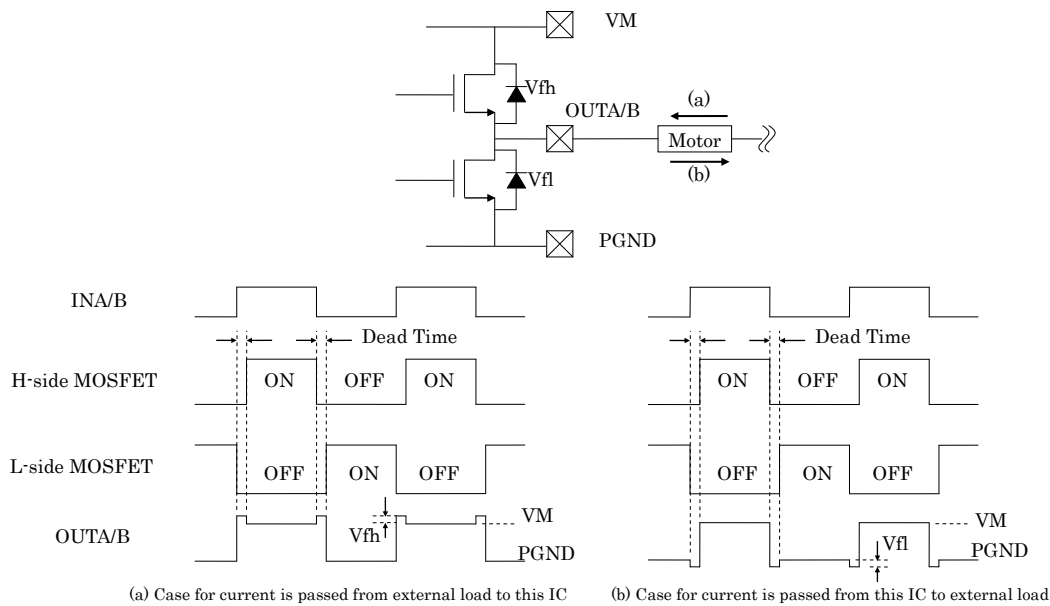


Figure 5. Difference in output terminal by load current direction

- Thermal Shut Down

The AP1013DEN prevents destruction due to the self-heat up by making OUTA and OUTB output Hi-Z as soon as abnormal high temperature is detected. The AP1013DEN restarts as soon as temperature becomes lower than the bottom detection threshold.

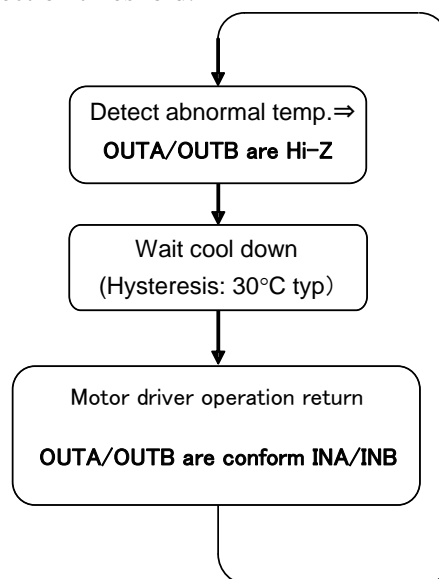


Figure 6. Detection of abnormal heat up and return operation

11.Recommended External Circuits

■ Recommended External Circuit

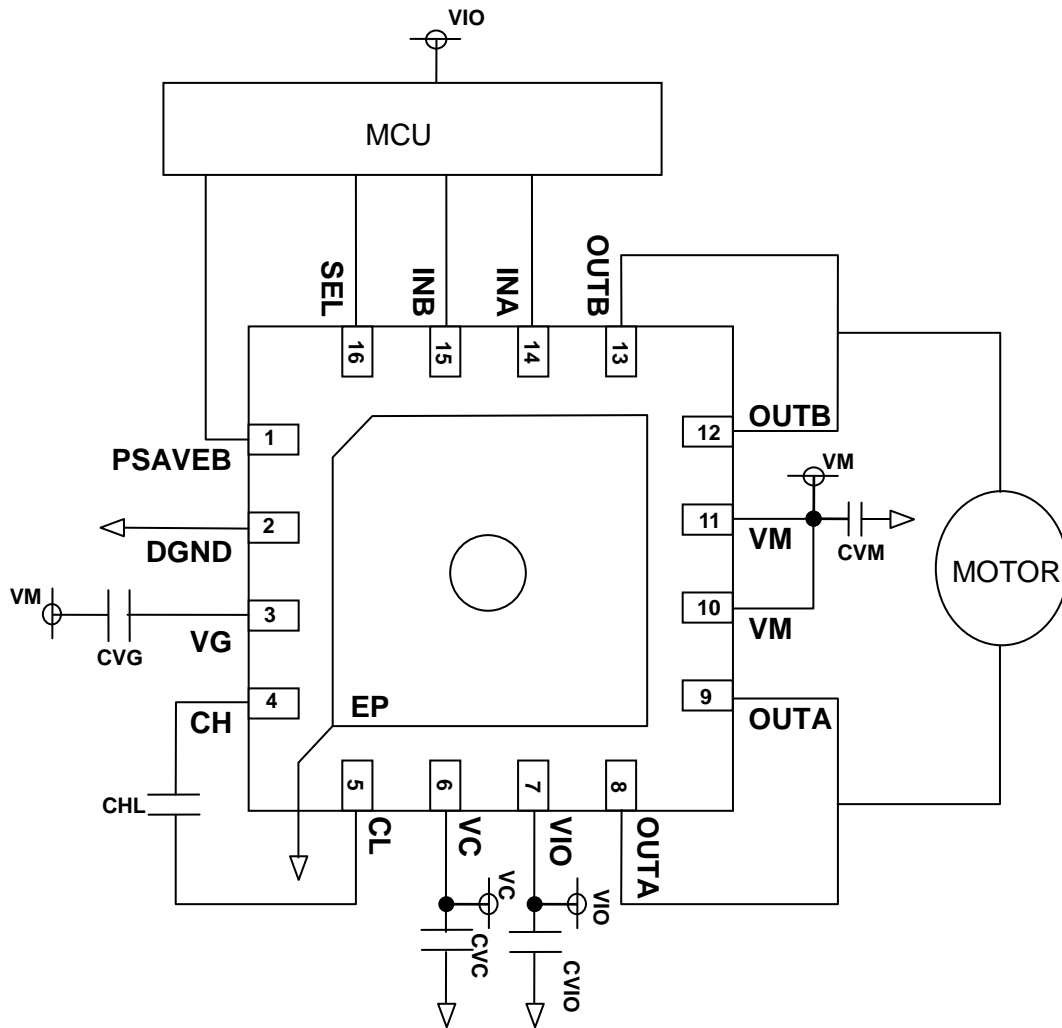


Figure 7. Recommended External Circuit

■ Parts List

Table 2. Recommended external components

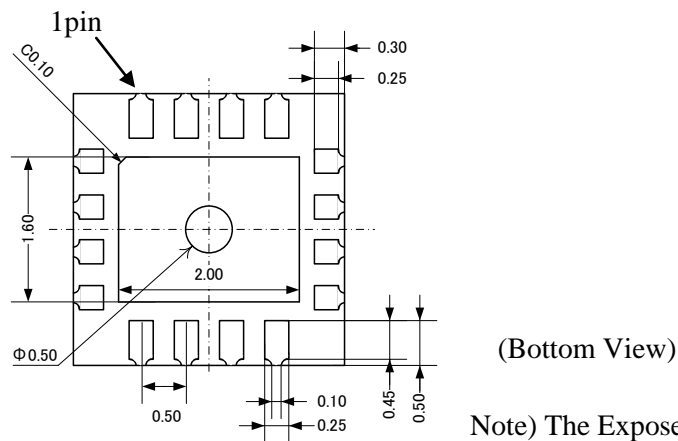
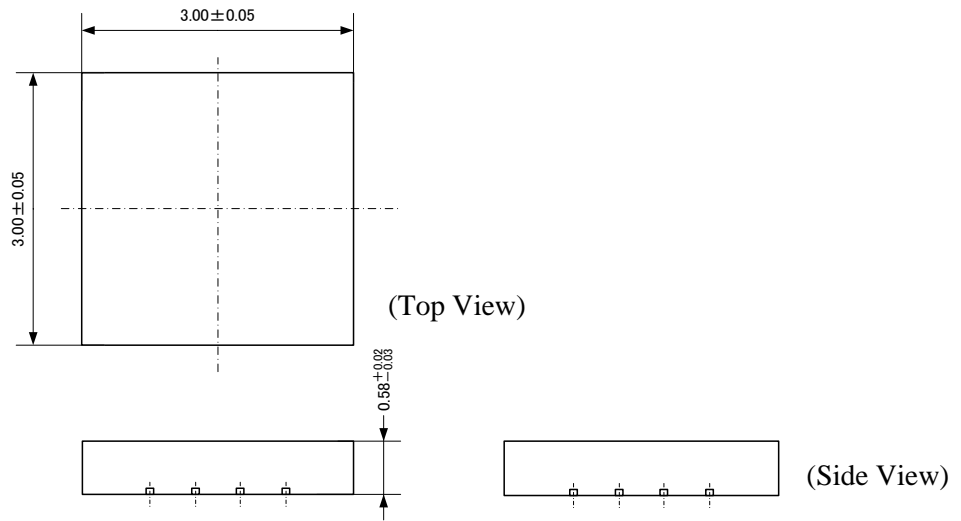
Items	Symbol	min	typ	max	Unit	Note
Motor driver power supply connection decoupling capacitor	CVM	1.0	-	-	uF	(Note 11)
Control power supply connection bypass capacitor	CVC	0.1	1.0	-	uF	(Note 11)
Logic input terminal power supply connection bypass capacitor	CVIO	0.1	1.0	-	uF	(Note 11)
Charge pump capacitor1	CVG	0.047	0.1	0.22	uF	
Charge pump capacitor2	CHL	0.047	0.1	0.22	uF	

Note 11. Please adjust the connecting capacitor of CVM, CVC and CVIO depending on the load current profile, the load capacitance, the line resistance and etc. with each application boards.

12. Package

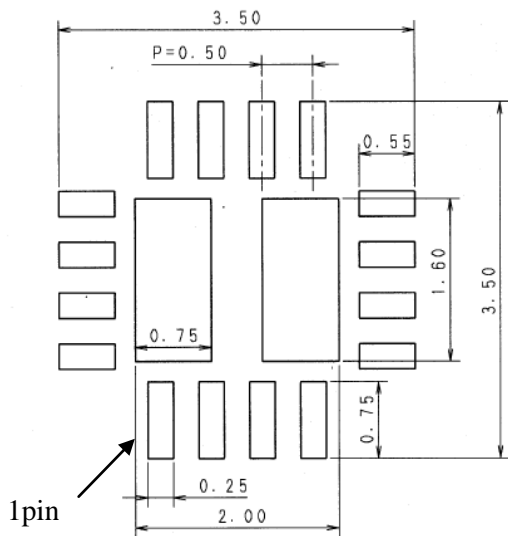
■ **Outline Dimensions**

• 16-pin QFN(Unit: mm)



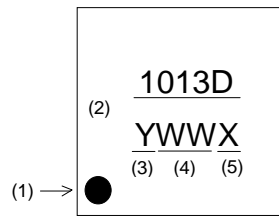
Note) The Exposed Pad is Power Ground.
The Exposed Pad is necessary soldered to PCB.

■ **Reference Foot Pattern**



Note) Please layout the foot pattern of Exposed Pad not to surround the steam beer of AP1013DEN. Please locate thermal via more than four for improve radiation.

■ **Marking**



- (1) Ipin Indication
- (2) Market No.
- (3) Year code (last 1 digit)
- (4) Week code
- (5) Management code

13.Revise History

Date (YY/MM/DD)	Revision	Page	Contents
14/11/27	00	-	First edition

IMPORTANT NOTICE

0. Asahi Kasei Microdevices Corporation (“AKM”) reserves the right to make changes to the information contained in this document without notice. When you consider any use or application of AKM product stipulated in this document (“Product”), please make inquiries the sales office of AKM or authorized distributors as to current status of the Products.
1. All information included in this document are provided only to illustrate the operation and application examples of AKM Products. AKM neither makes warranties or representations with respect to the accuracy or completeness of the information contained in this document nor grants any license to any intellectual property rights or any other rights of AKM or any third party with respect to the information in this document. You are fully responsible for use of such information contained in this document in your product design or applications. **AKM ASSUMES NO LIABILITY FOR ANY LOSSES INCURRED BY YOU OR THIRD PARTIES ARISING FROM THE USE OF SUCH INFORMATION IN YOUR PRODUCT DESIGN OR APPLICATIONS.**
2. The Product is neither intended nor warranted for use in equipment or systems that require extraordinarily high levels of quality and/or reliability and/or a malfunction or failure of which may cause loss of human life, bodily injury, serious property damage or serious public impact, including but not limited to, equipment used in nuclear facilities, equipment used in the aerospace industry, medical equipment, equipment used for automobiles, trains, ships and other transportation, traffic signaling equipment, equipment used to control combustions or explosions, safety devices, elevators and escalators, devices related to electric power, and equipment used in finance-related fields. Do not use Product for the above use unless specifically agreed by AKM in writing.
3. Though AKM works continually to improve the Product’s quality and reliability, you are responsible for complying with safety standards and for providing adequate designs and safeguards for your hardware, software and systems which minimize risk and avoid situations in which a malfunction or failure of the Product could cause loss of human life, bodily injury or damage to property, including data loss or corruption.
4. Do not use or otherwise make available the Product or related technology or any information contained in this document for any military purposes, including without limitation, for the design, development, use, stockpiling or manufacturing of nuclear, chemical, or biological weapons or missile technology products (mass destruction weapons). When exporting the Products or related technology or any information contained in this document, you should comply with the applicable export control laws and regulations and follow the procedures required by such laws and regulations. The Products and related technology may not be used for or incorporated into any products or systems whose manufacture, use, or sale is prohibited under any applicable domestic or foreign laws or regulations.
5. Please contact AKM sales representative for details as to environmental matters such as the RoHS compatibility of the Product. Please use the Product in compliance with all applicable laws and regulations that regulate the inclusion or use of controlled substances, including without limitation, the EU RoHS Directive. AKM assumes no liability for damages or losses occurring as a result of noncompliance with applicable laws and regulations.
6. Resale of the Product with provisions different from the statement and/or technical features set forth in this document shall immediately void any warranty granted by AKM for the Product and shall not create or extend in any manner whatsoever, any liability of AKM.
7. This document may not be reproduced or duplicated, in any form, in whole or in part, without prior written consent of AKM.