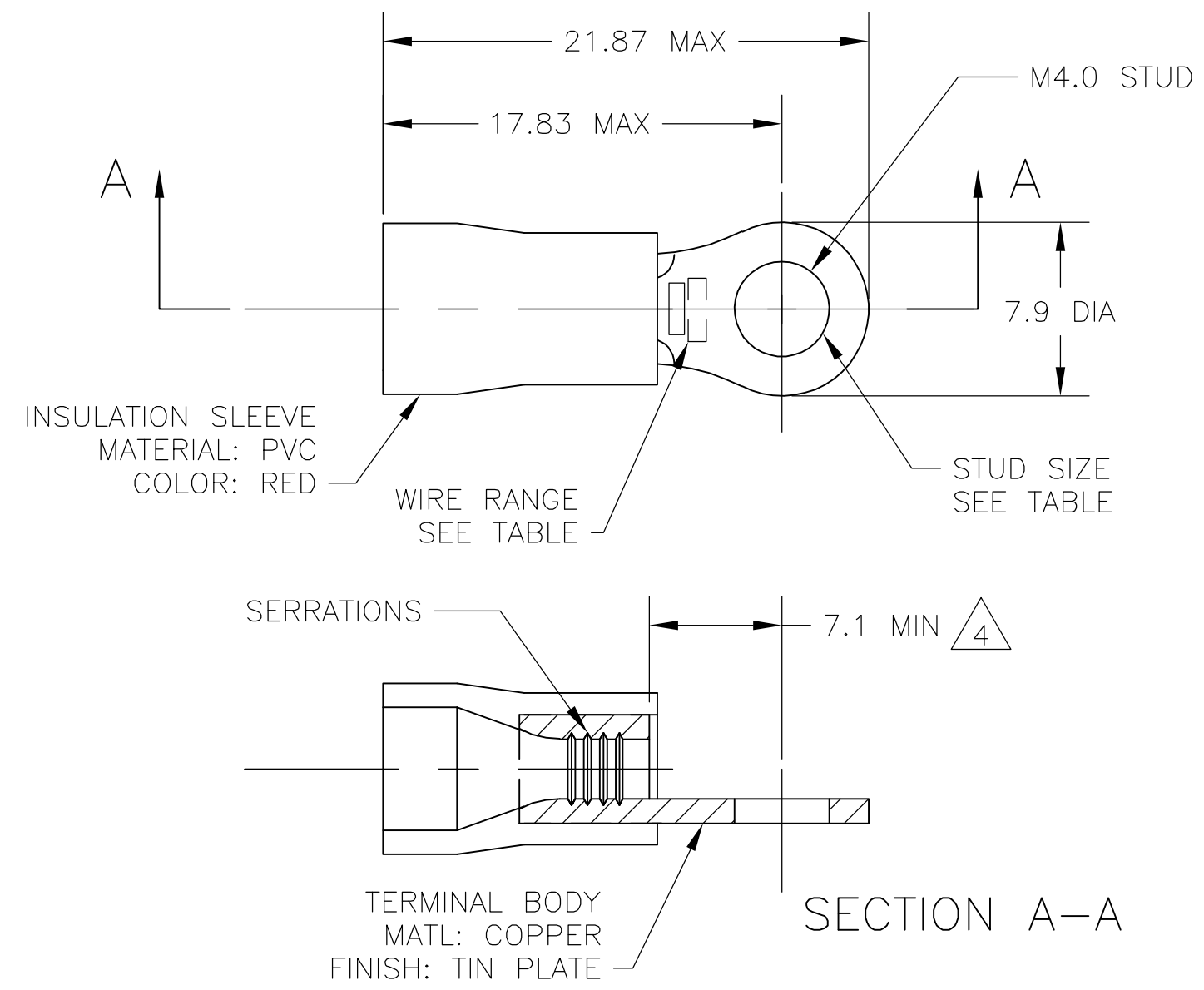


THIS DRAWING IS UNPUBLISHED. RELEASED FOR PUBLICATION
 © COPYRIGHT BY TYCO ELECTRONICS CORPORATION. ALL RIGHTS RESERVED.

| LOC | DIST | REVISIONS | | | |
|-----|------|-------------|-----------------------|---------|--------|
| P | LTR | DESCRIPTION | DATE | DWN | APVD |
| G | 02 | R1 | REV PER ECR-06-001930 | 13FEB06 | HMR TM |



- 1 WIRE SIZE IS 22-16 AWG
- 2 WIRE INSULATION DIA: 2.7-3.6
- 3 MATERIAL THICKNESS IS 0.8
- 4 DIMENSION APPLIES FROM EDGE OF METAL WIRE BARREL TO END OF PIN.
- 5 SUPERSEDED BY 342103-1

| | | | | |
|----------------------|-----------|------|---|------------|
| POLY BAG WITH HEADER | STANDARD | 100 | 5 | 7-342103-1 |
| PLASTIC BOX | STANDARD | 100 | 5 | 6-342103-1 |
| TAPED MOUNTED | STANDARD | 5000 | | 2-342103-1 |
| PLASTIC BAG | STANDARD | 100 | | 342103-1 |
| PACKAGING | LABELLING | QTY | | PART NO |

| DIMENSIONS: INCHES | | TOLERANCES UNLESS OTHERWISE SPECIFIED: | | MATERIAL | | FINISH | |
|--------------------|-----|--|-------|----------|--|--------|--|
| 0 PLC | ± - | 1 PLC | ± 0.5 | | | | |
| 2 PLC | ± - | 3 PLC | ± - | | | | |
| 4 PLC | ± - | ANGLES | ± 1° | | | | |

| | | | | |
|--|----------------------------|---------------------|------------------------------|-------------------------------------|
| THIS DRAWING IS A CONTROLLED DOCUMENT. | | DWN jr ruth 02DEC05 | Tyco Electronics Corporation | |
| CHK T MICHIELUTTI 02DEC05 | APVD T MICHIELUTTI 02DEC05 | | Harrisburg, PA 17105-3608 | |
| PRODUCT SPEC | APPLICATION SPEC | | NAME | |
| - | | - | | TERMINAL, RING TONGUE, PLASTI-GRIP, |
| - | | - | | |
| SIZE | CAGE CODE | DRAWING NO | RESTRICTED TO | |
| A2 | 00779 | C=342103 | - | |
| CUSTOMER DRAWING | | | SCALE | SHEET |
| | | | 5:1 | 1 of 1 |
| | | | REV | R1 |