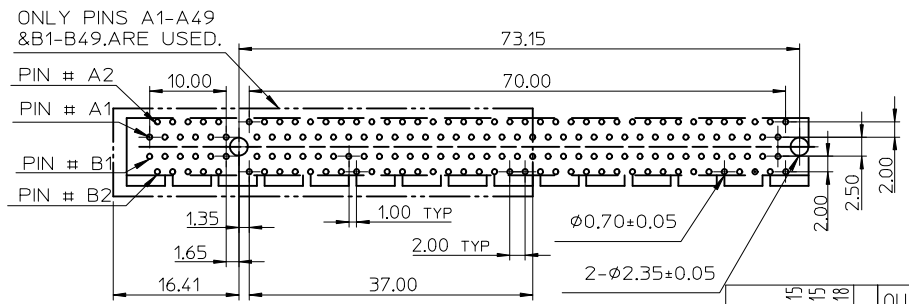
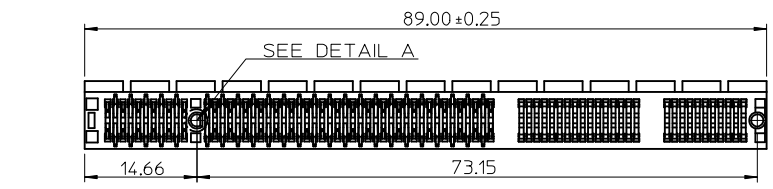


- NOTES:
- MATERIALS:
 - HOUSING: SEE TABLE, 30% GLASS FIBER FILLED UL94V-0 COLOR: SEE TABLE
 - CONTACT: SEE TABLE
 - PLATING:
 - CONTACT AREA: SEE TABLE
 - SOLDER TAIL: SEE TABLE
 - UNDER PLATING: SEE TABLE
 - DATE CODE: TO BE PRINTED
 - PRODUCT SPECIFICATION REFER TO PS-87715-200
 - PACKAGE SPECIFICATION REFER TO PK-87715-203
 - TEST SUMMARY: REFER TO TS-87715-203
 - LEAD FREE AND RoHS COMPLIANT PRODUCT.



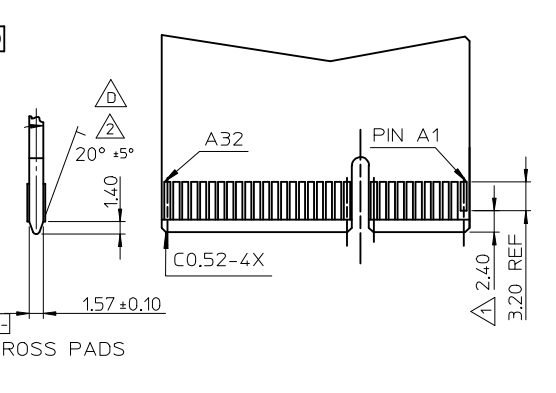
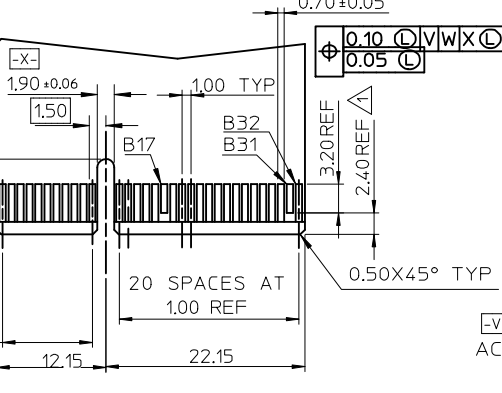
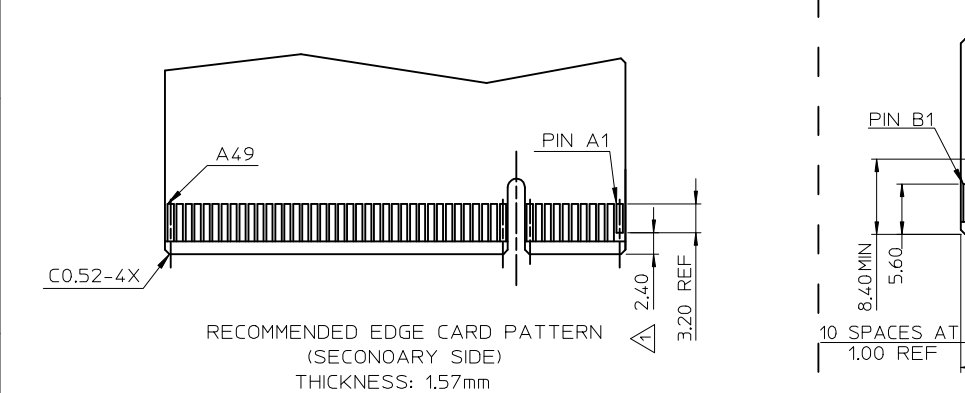
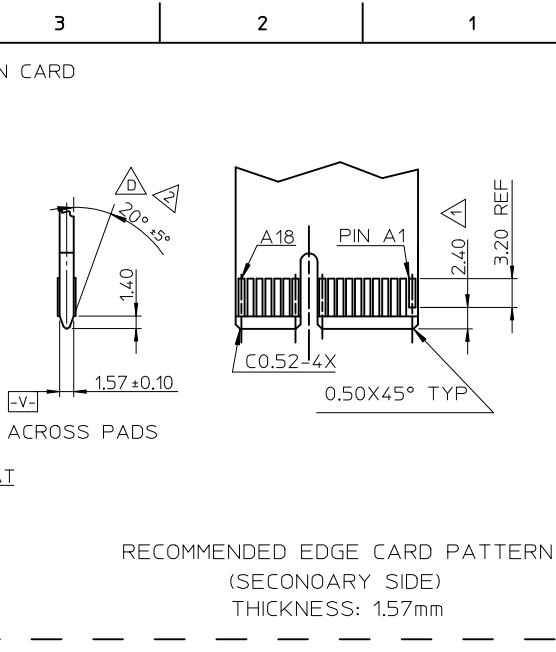
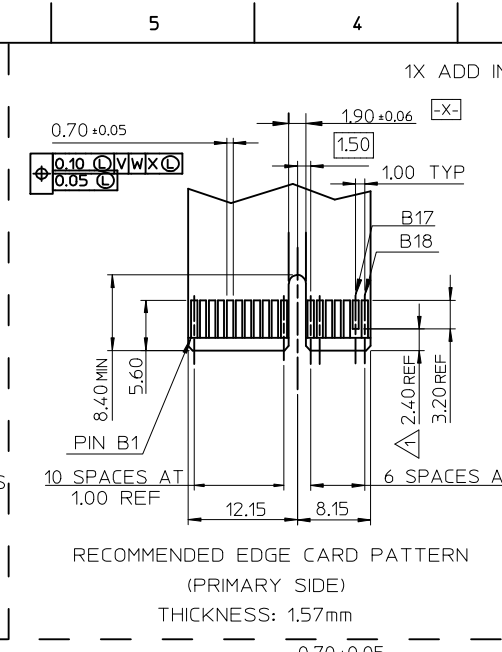
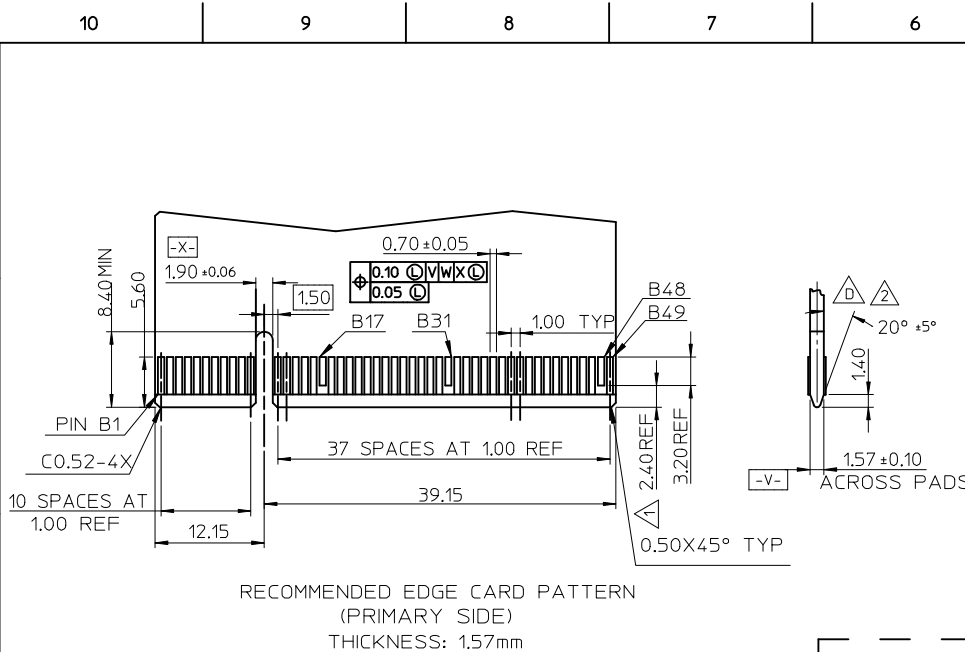
MOLEX P/N	CIRCUIT SIZE	HOUSING MATERIAL	HOUSING COLOR	TERMINAL MATERIAL	CONTACT PLATING	SOLDERTAIL PLATING	DIM'B*
87715-9902				PHOSPHOR BROZNE	GOLD FLASH	100 MICROINCH MIN TIN OVER 50 MICROINCH NICKEL OVERALL	2.30
87715-9903	N/A	NYLON46	BLACK	PHOSPHOR BROZNE	GOLD FLASH	100 MICROINCH MIN TIN OVER 50 MICROINCH NICKEL OVERALL	2.54
87715-9904				PHOSPHOR BROZNE	GOLD	100 MICROINCH MIN TIN OVER 50 MICROINCH NICKEL OVERALL	3.00
87715-9905				PHOSPHOR BROZNE	15 MICROINCH	100 MICROINCH MIN TIN OVER 50 MICROINCH NICKEL OVERALL	2.30
87715-9906	N/A	NYLON46	BLACK	PHOSPHOR BROZNE	15 MICROINCH	100 MICROINCH MIN TIN OVER 50 MICROINCH NICKEL OVERALL	2.54
87715-9907				PHOSPHOR BROZNE	15 MICROINCH	100 MICROINCH MIN TIN OVER 50 MICROINCH NICKEL OVERALL	3.00

EWR 2006-0005 & 0019	2006/05/15	2006/05/15	2006/05/18
2005-0094	2006/05/15	2006/05/15	2006/05/18
DRWN: ALL IN	CHKD:	APPR: WMSCHANG	DESCRIPTION
EC NO: SF2006-0100			

QUALITY SYMBOLS	GENERAL TOLERANCES (UNLESS SPECIFIED)	
	mm	INCH
▽=0	4 PLACES ± ---	± ---
▽=0	3 PLACES ± ---	± ---
	2 PLACES ± 0.25	± ---
	1 PLACE ± 0.25	± ---
	ANGULAR ± 3°	

DIMENSION STYLE		SCALE	DESIGN UNITS	THIRD ANGLE PROJECTION
MM ONLY			METRIC	
DRAWN BY	DATE	TITLE	PCI EXPRESS X16 LOAD 98 CKT CONNECTOR (LEAD FREE VERSION) MOLEX INCORPORATED	
CHECKED BY	DATE			
APPROVED BY	DATE			
WILSON CHANG 2004/10/26		DOCUMENT NO.	SD-87715-208	
MATERIAL NO.		SEE TABLE		SHEET NO.
				1 OF 2

DRAWN BY		DATE	TITLE
CHECKED BY		DATE	
APPROVED BY		DATE	
WILSON CHANG 2004/10/26		DOCUMENT NO.	SD-87715-208
MATERIAL NO.		SEE TABLE	
		SHEET NO.	
		1 OF 2	



- △ NO TIE BAR PERMITTED FROM CARD EDGE TO LEADING EDGE OF PAD FOR THE HOT PLUG PINS
- △ CHAMFER EDGES MUST BE FREE OF CUTTING BURRS.

SEE SHEET 1	EC NO: SH2006-0100 DRW: ALL IN CHKD: APPR: WWSCHANG 2006/05/15 2006/05/15 2006/05/18	DESCRIPTION	QUALITY SYMBOLS	GENERAL TOLERANCES (UNLESS SPECIFIED)	DIMENSION STYLE	SCALE	DESIGN UNITS	THIRD ANGLE PROJECTION														
			$\blacktriangledown = 0$ $\square = 0$	<table border="1"> <thead> <tr> <th></th> <th>mm</th> <th>INCH</th> </tr> </thead> <tbody> <tr> <td>4 PLACES</td> <td>± ---</td> <td>± ---</td> </tr> <tr> <td>3 PLACES</td> <td>± ---</td> <td>± ---</td> </tr> <tr> <td>2 PLACES</td> <td>± 0.25</td> <td>± ---</td> </tr> <tr> <td>1 PLACE</td> <td>± 0.25</td> <td>± ---</td> </tr> </tbody> </table>		mm	INCH	4 PLACES	± ---	± ---	3 PLACES	± ---	± ---	2 PLACES	± 0.25	± ---	1 PLACE	± 0.25	± ---	MM ONLY	METRIC	
				mm	INCH																	
			4 PLACES	± ---	± ---																	
3 PLACES	± ---	± ---																				
2 PLACES	± 0.25	± ---																				
1 PLACE	± 0.25	± ---																				
	ANGULAR ± 3°	DRAWN BY: TOM DATE: 2004/10/15	TITLE: PCI EXPRESS X16 LOAD 98 CKT CONNECTOR (LEAD FREE VERSION)	MOLEX INCORPORATED																		
	DRAFT WHERE APPLICABLE MUST REMAIN WITHIN DIMENSIONS	CHECKED BY: ALLEN LIN DATE: 2004/10/26	APPROVED BY: WILSON CHANG DATE: 2004/10/26		DOCUMENT NO. SD-87715-208																	
					SHEET NO. 2 OF 2																	